

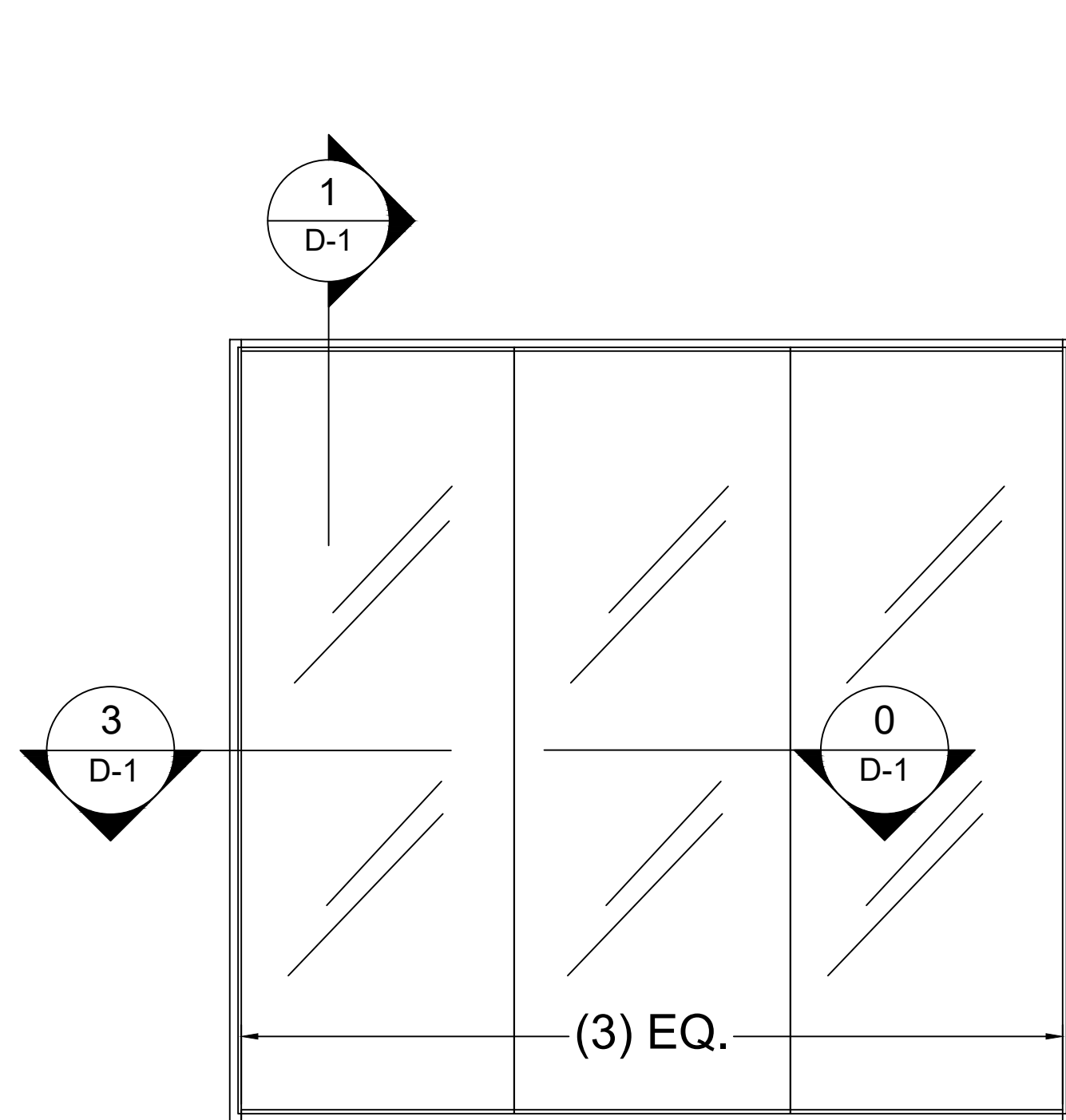


ZONA 3  
(47) STC

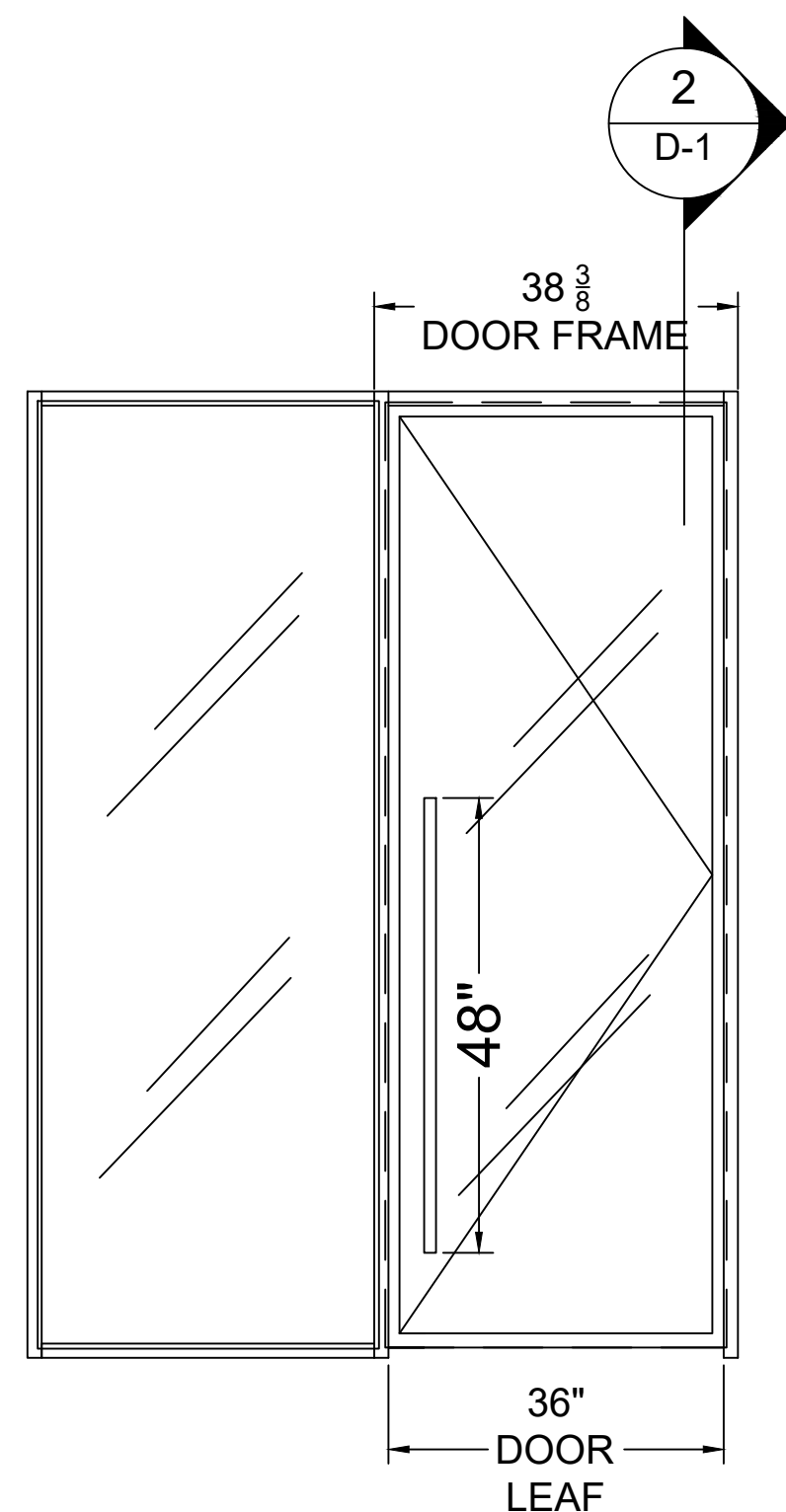
REV	DATE	DESCRIPTION
1	09/00/23	
2		
3		

DOUBLE GLAZED SYSTEMS	
DRAWING NAME	
FLOORPL	
DATE	DRAWING NO.
SCALE	A
DRAWN BY	
D.P.	

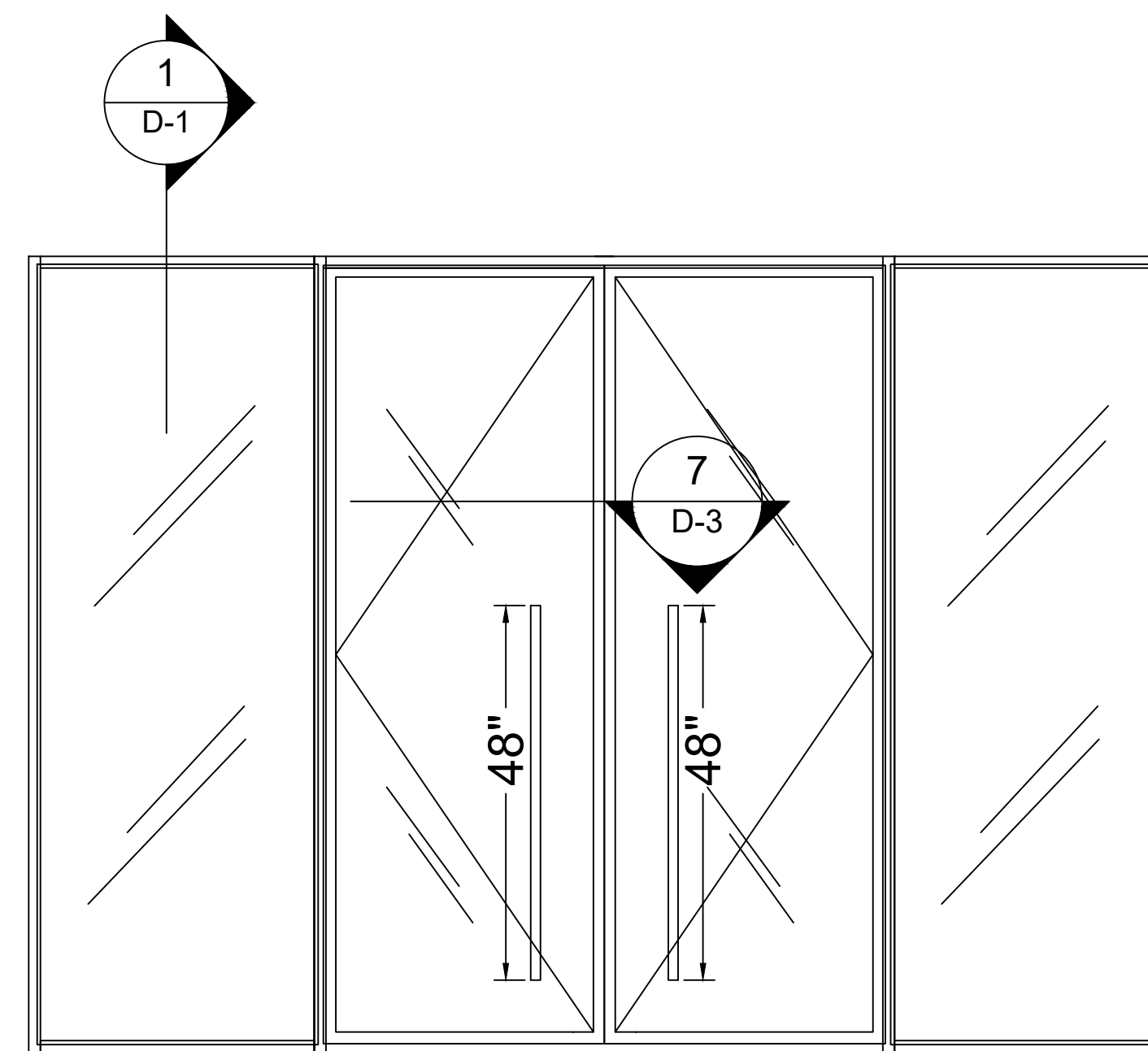
# 47 STC



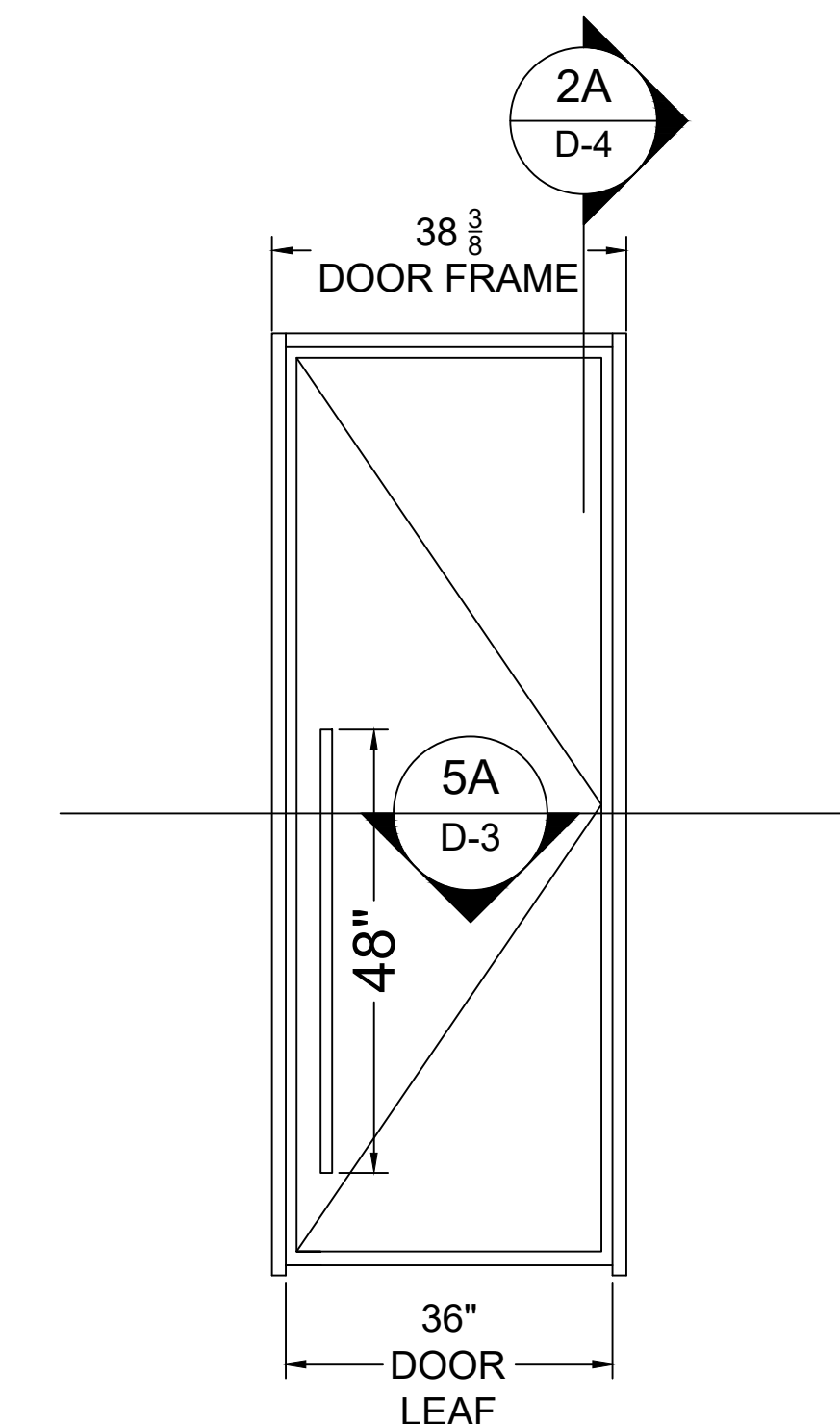
47 FIXED GLASS SYSTEM  
EXAMPLE



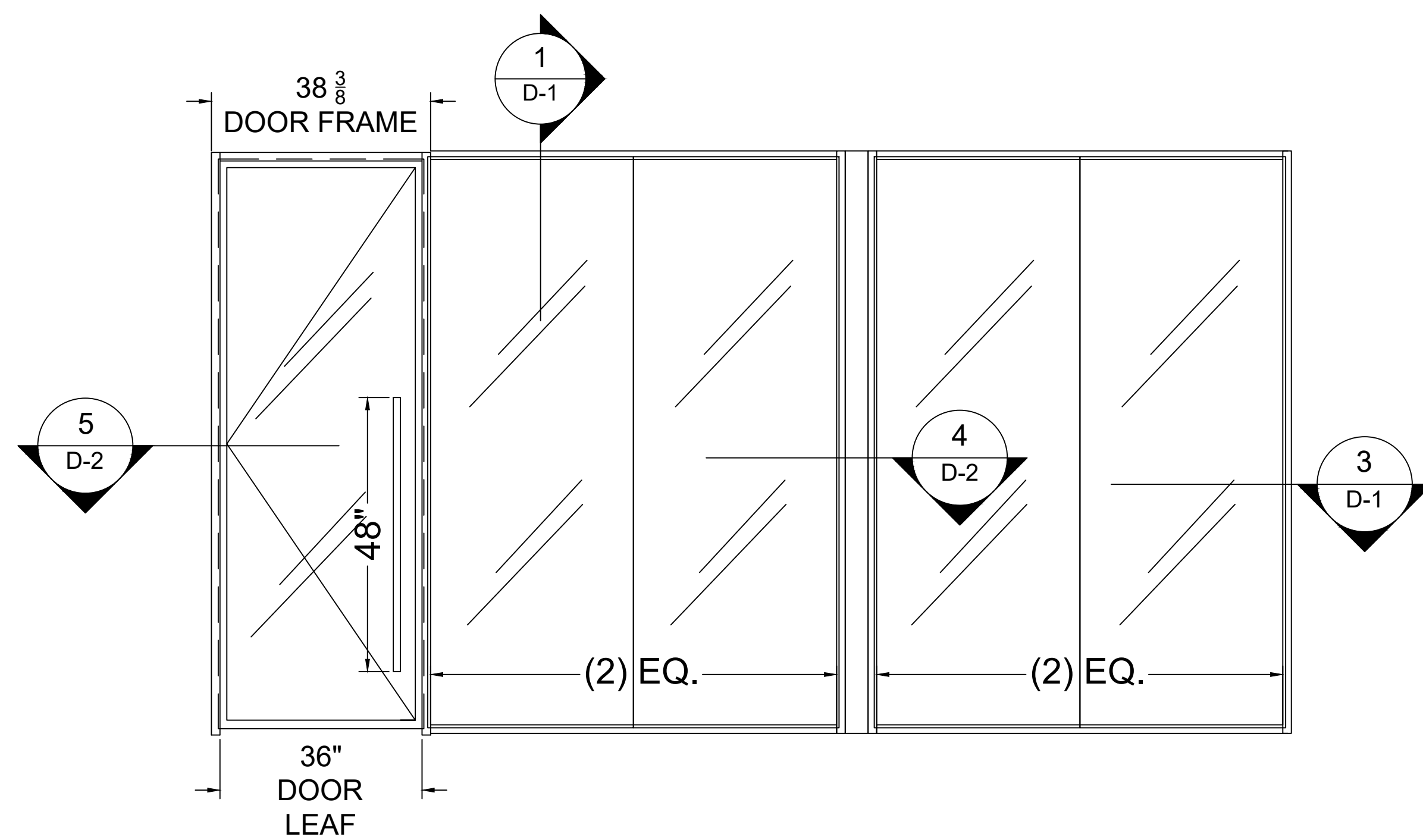
47 DOOR WITH FIXED GLASS  
EXAMPLE



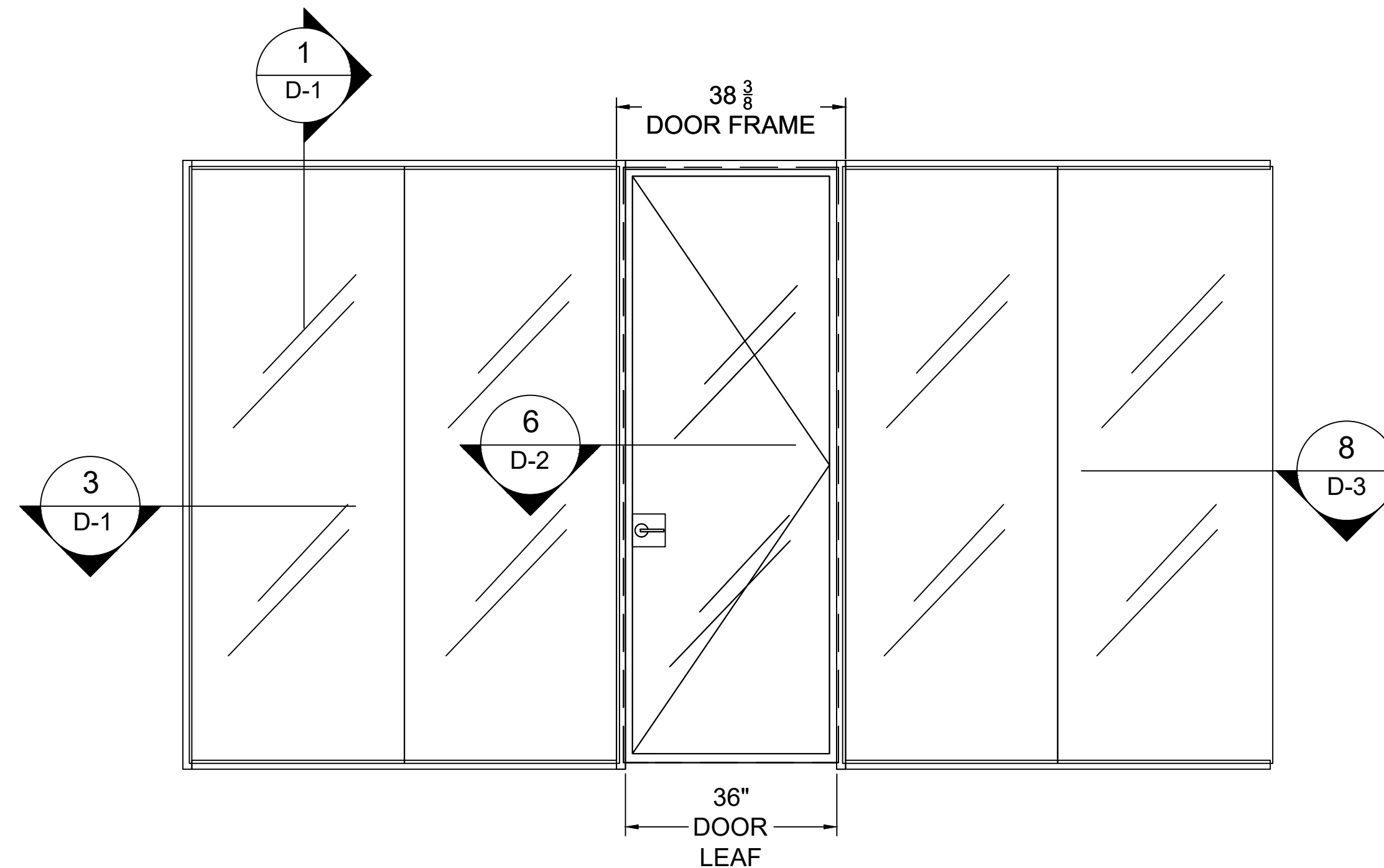
47 DOUBLE DOOR WITH FIXED GLASS  
EXAMPLE



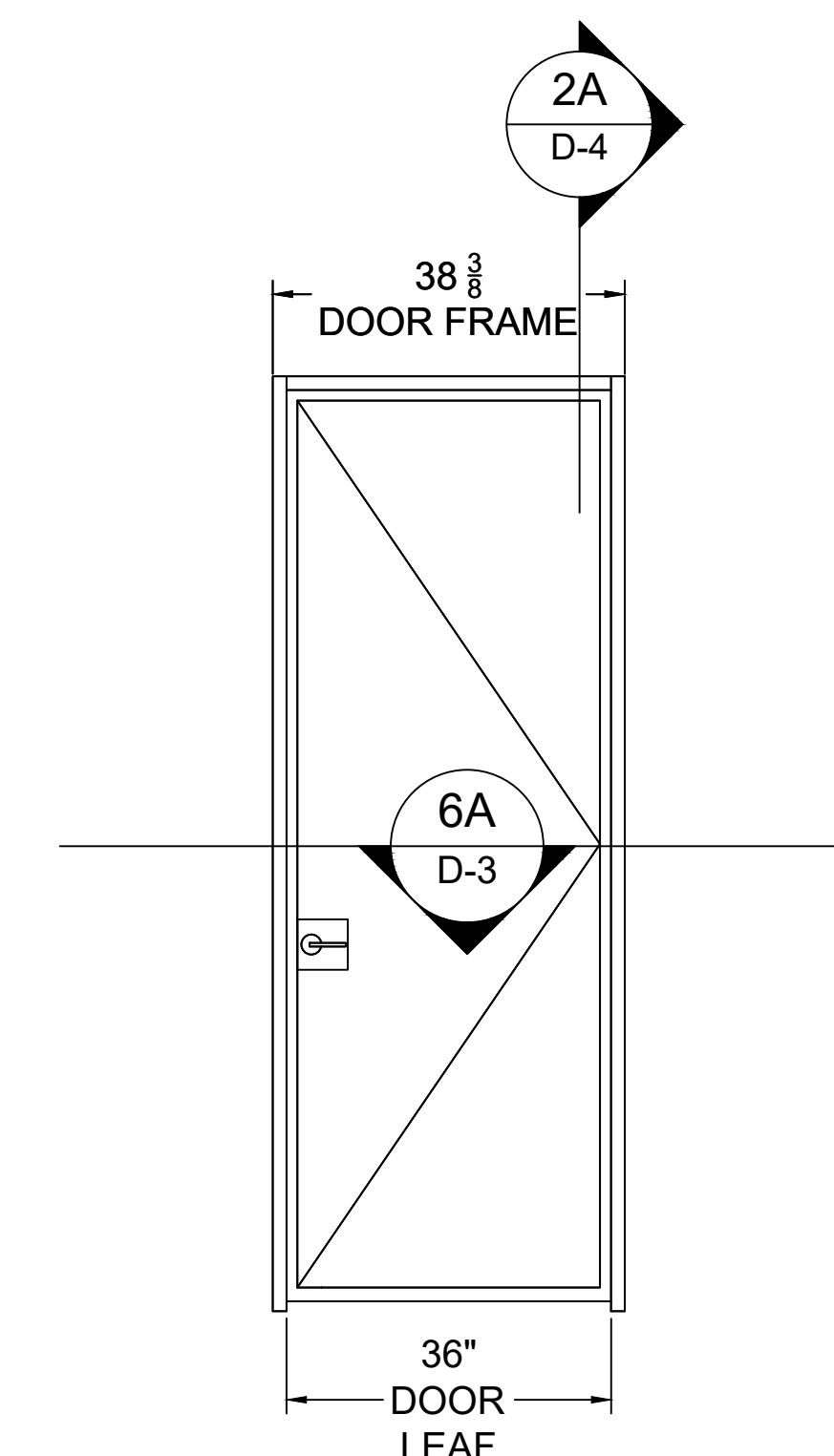
47 WOOD DOOR W PULL  
EXAMPLE



47 TYPICAL SYSTEM W/ DOOR STARTER AND DIVIDER  
EXAMPLE



47 LEVER AND LOCKSET DOOR  
EXAMPLE



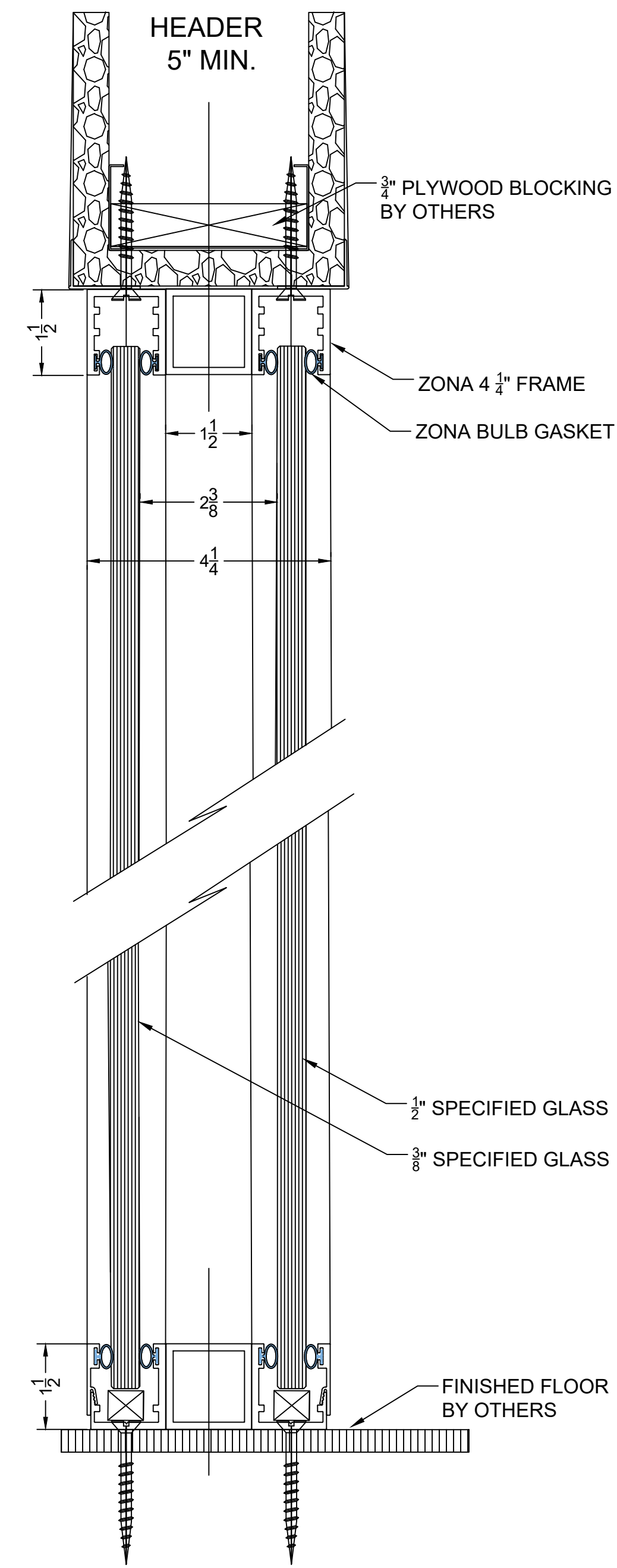
47 WOOD DOOR W LOCKSET  
EXAMPLE

REV	DATE	DESCRIPTION
1	09/00/23	
2		
3		

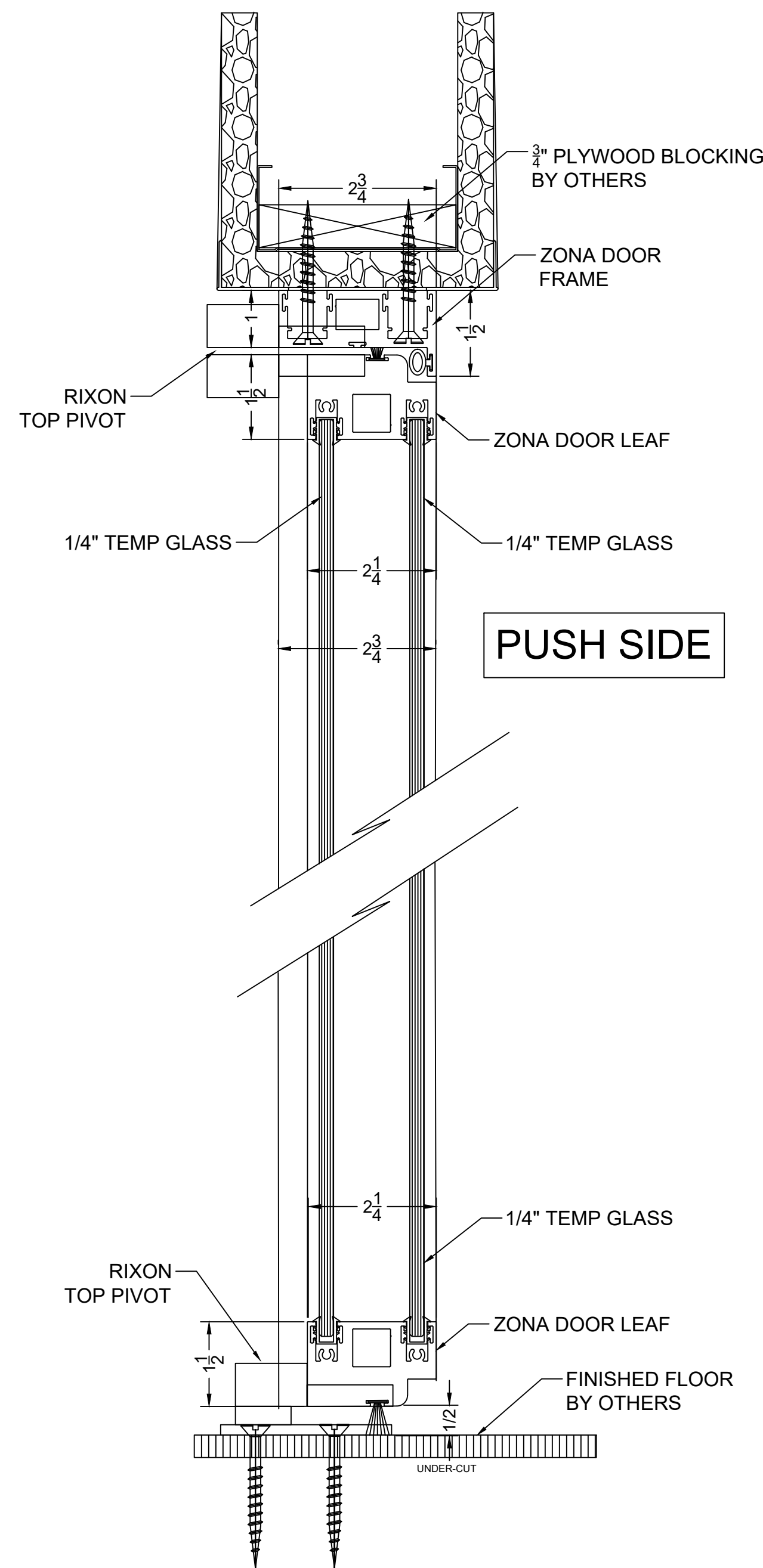
DOUBLE GLAZED SYSTEMS

ELEVATION

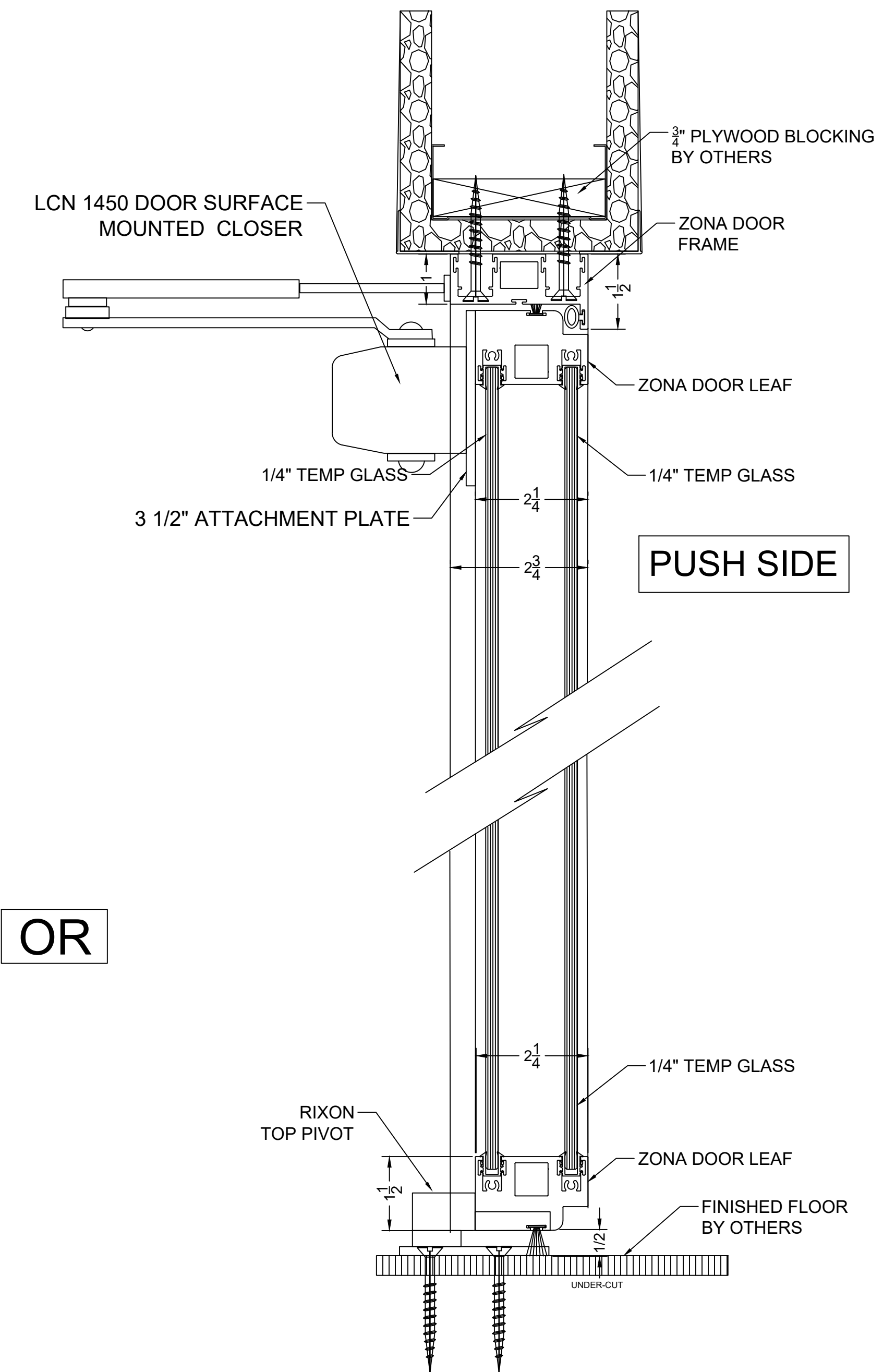
SCALE	DRAWING NUMBER
1:20	E-1
DRAWN BY	1 OF 5
D.P.	



**1** MAX. STC = 47  
VERT. SECT @ ZONA DBL GLZD FIXED PANEL

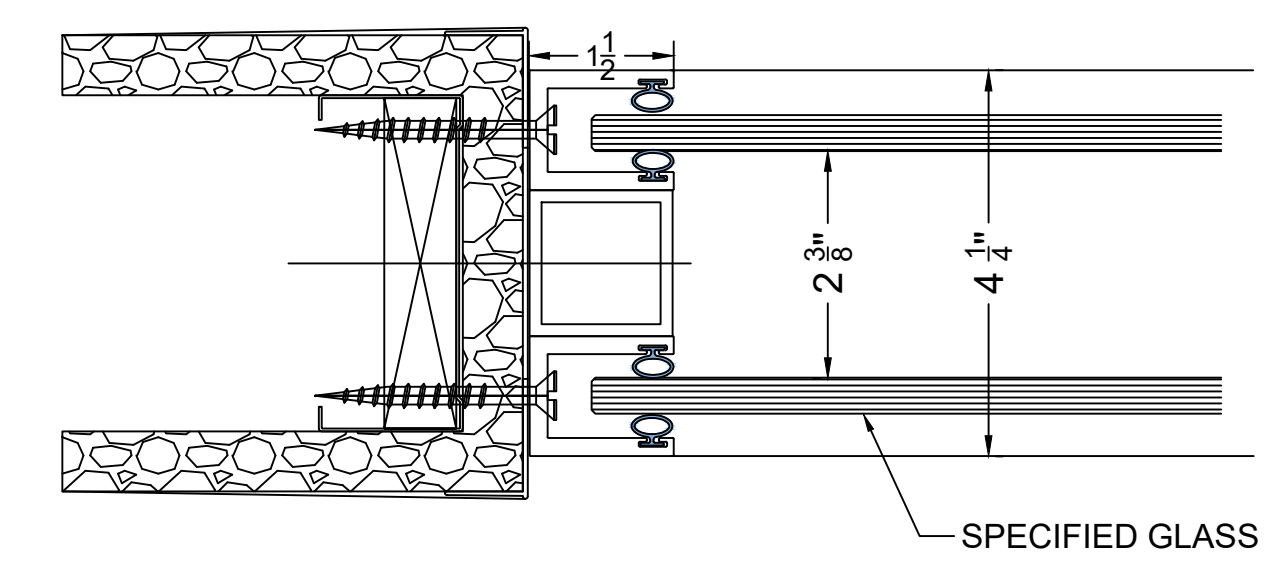


**2** RIXON PIVOT HINGE- FREE-SWING DOOR  
VERT. SECT. @ DBL GLZD DOOR

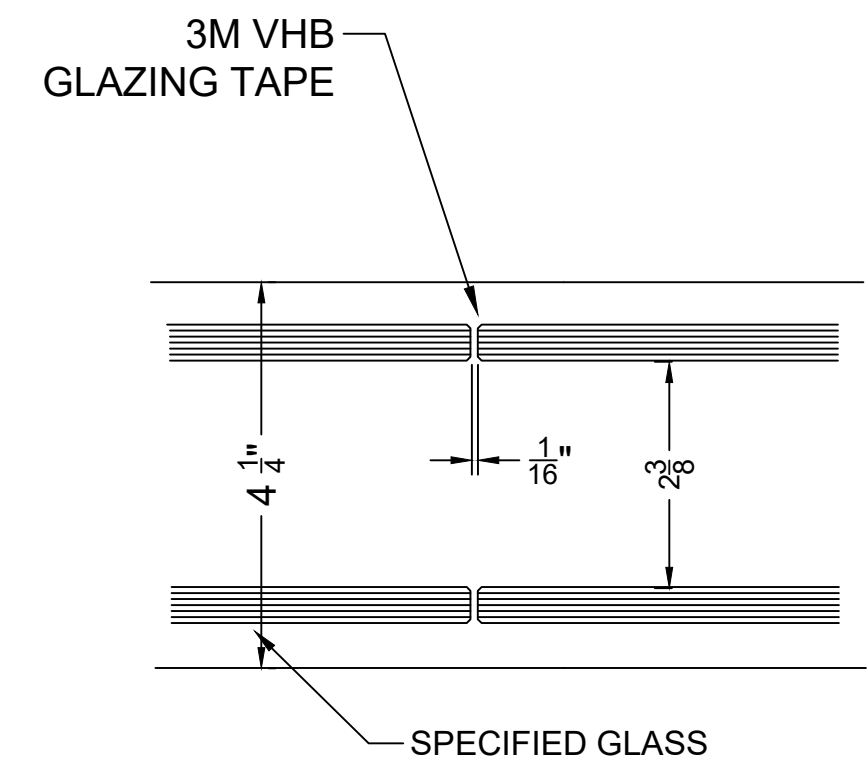


**2** RIXON PIVOT HINGE- SURFACE MOUNTED CLOSER  
VERT. SECT. @ DBL GLZD DOOR

OR



**3** SECTION @ FIXED PANEL @ WALL  
47 STC



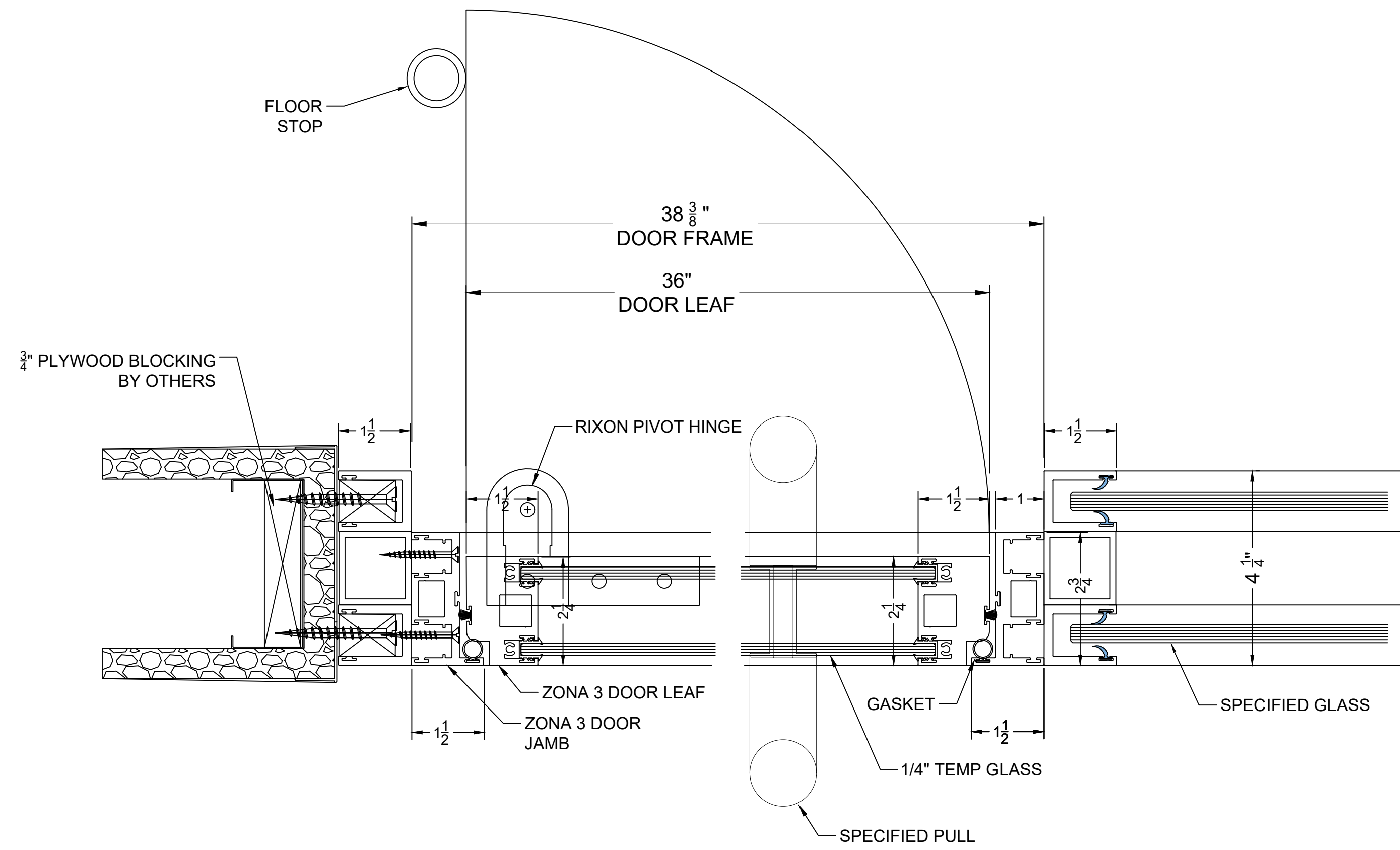
**0** HORZ. SECT @ GLASS JOINT  
47 STC

**47 STC**

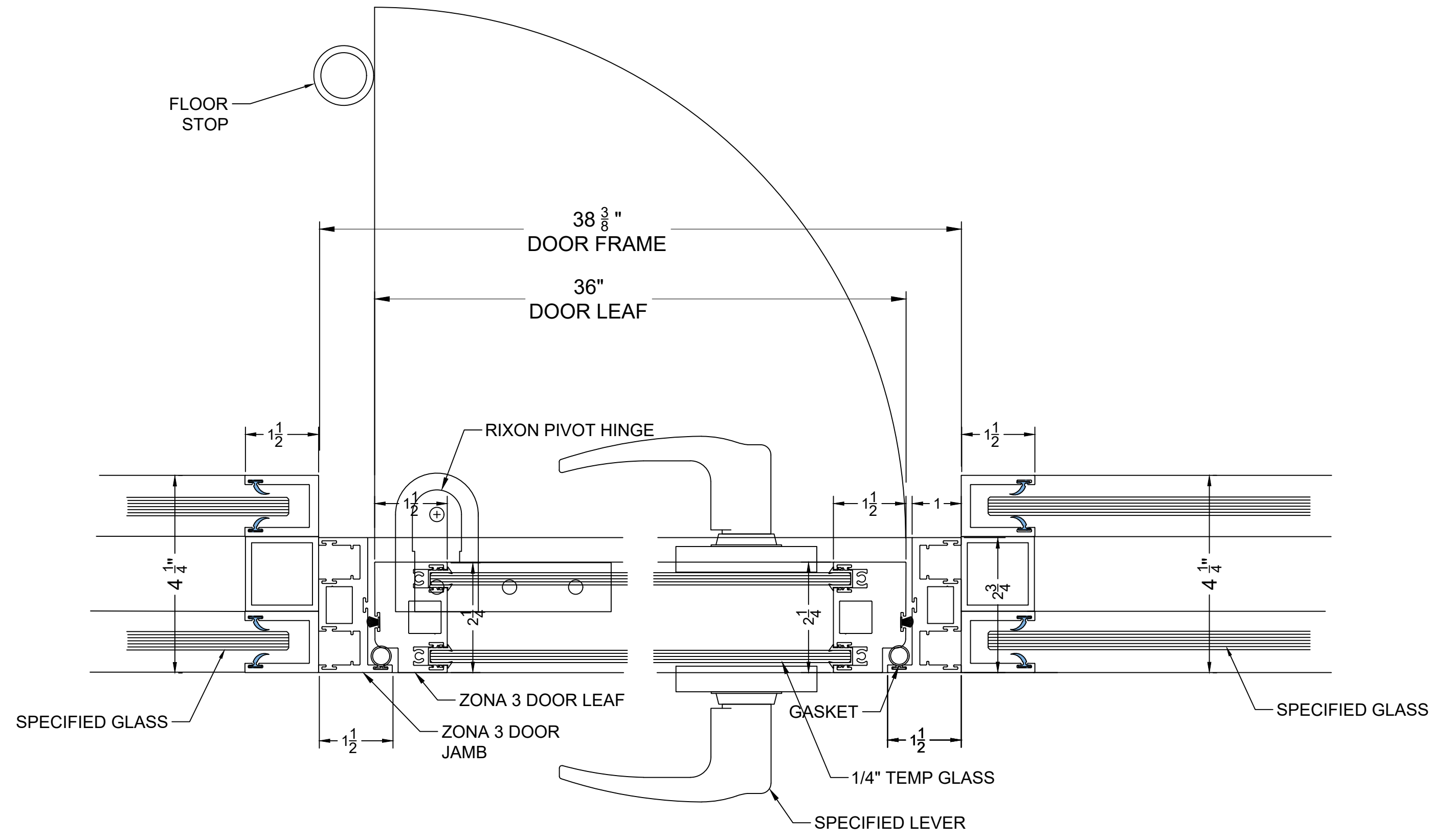
DESCRIPTION	
DATE	09/00/23
REV	1 2 3

DOUBLE GLAZED SYSTEMS

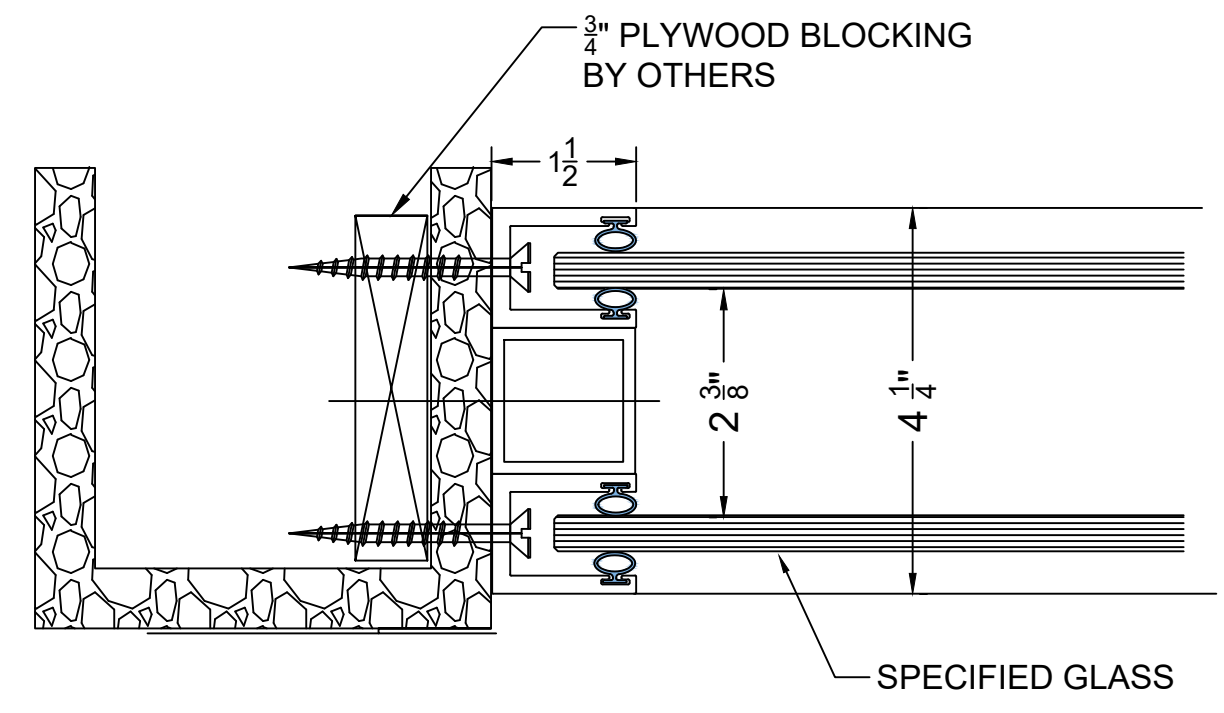
DRAWING NAME	DETAIL
DATE	1:2
SCALE	D-1
DRAWN BY	D.P.
	2 OF 5



**5** DOOR @ NIB WALL  
HORZ. SECT. @ DBL GLZD DOOR W/PULL 47 STC

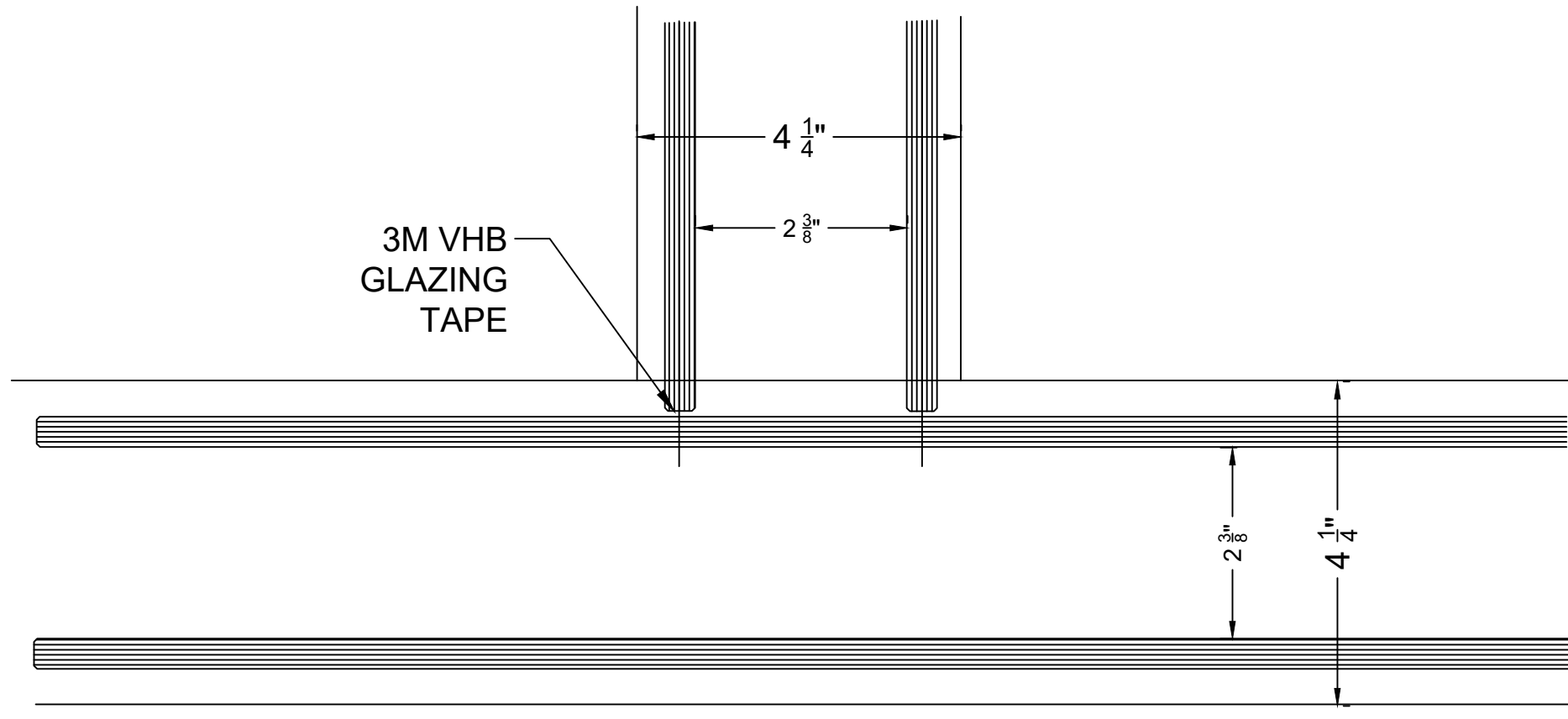


**6** DOOR BTW FIXED GLASS SIDE LITES  
HORZ. SECT. @DBL GLZD DOOR W/LOCKSET 47 STC



**4** SECTION @ FIXED PANEL @ WALL  
47 STC

OR



**4** HORZ. SECT @ "T" CONNECTION  
47 STC

**47 STC**

REV	DATE	DESCRIPTION
1	09/00/23	
2		
3		

**DOUBLE GLAZED SYSTEMS**

DRAWING NAME: **DETAIL**

DATE: \_\_\_\_\_ DRAWING NUMBER: \_\_\_\_\_

SCALE: 1:2

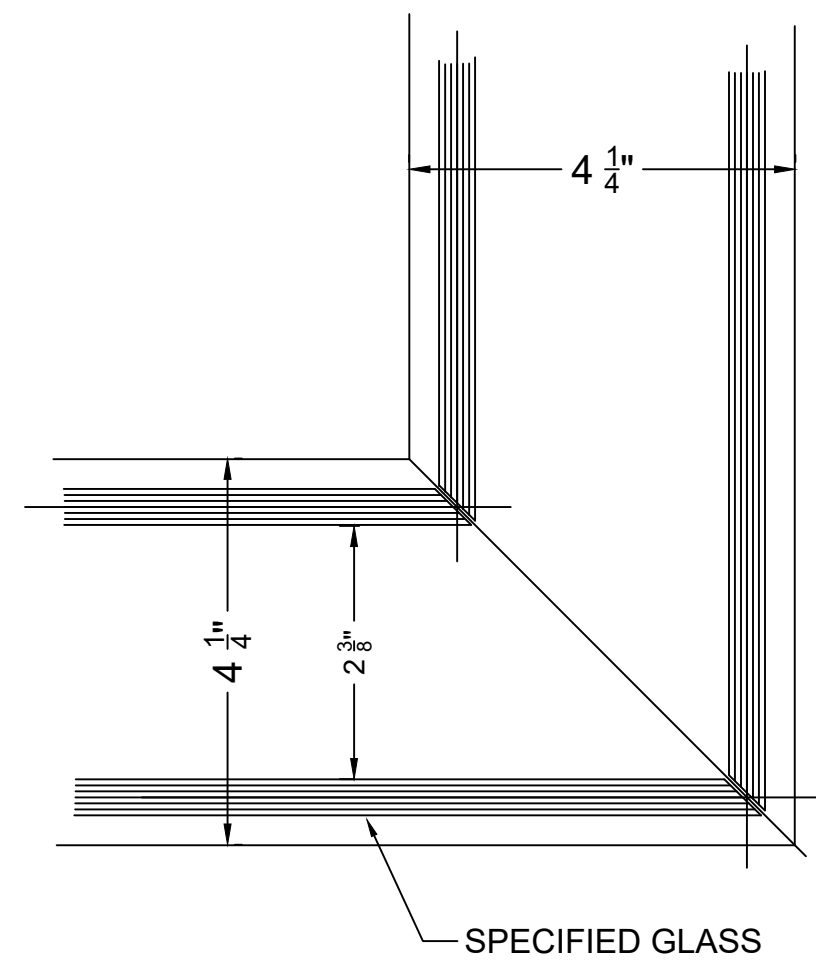
DRAWN BY: D.P.

D-2

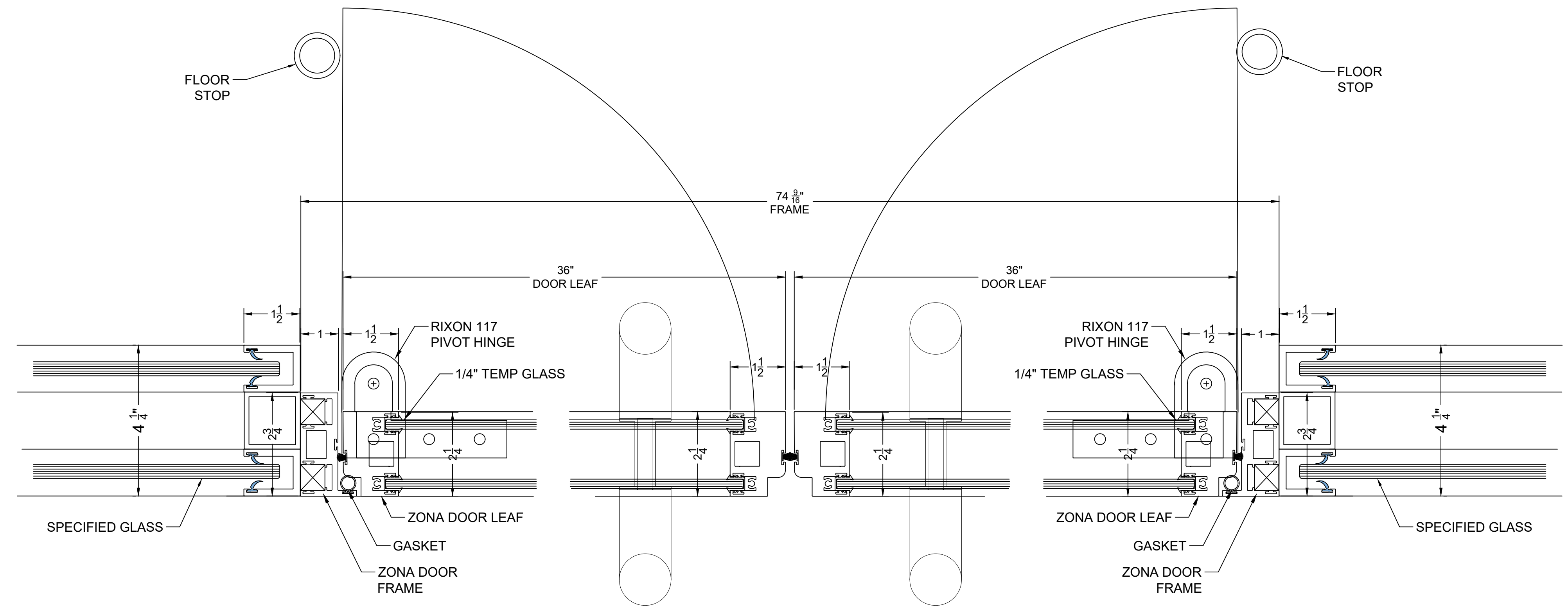
3 OF 5



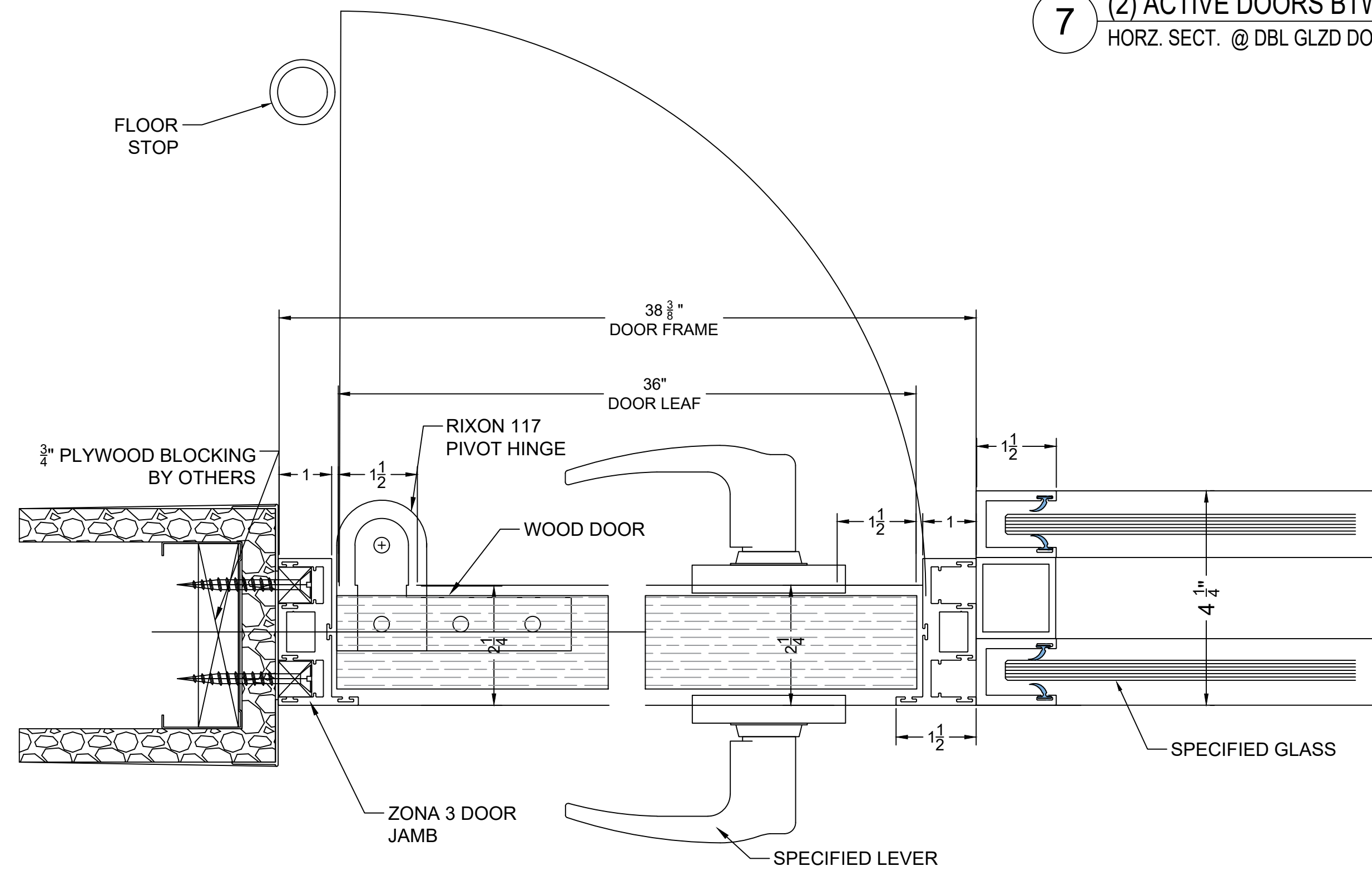
# 47 STC



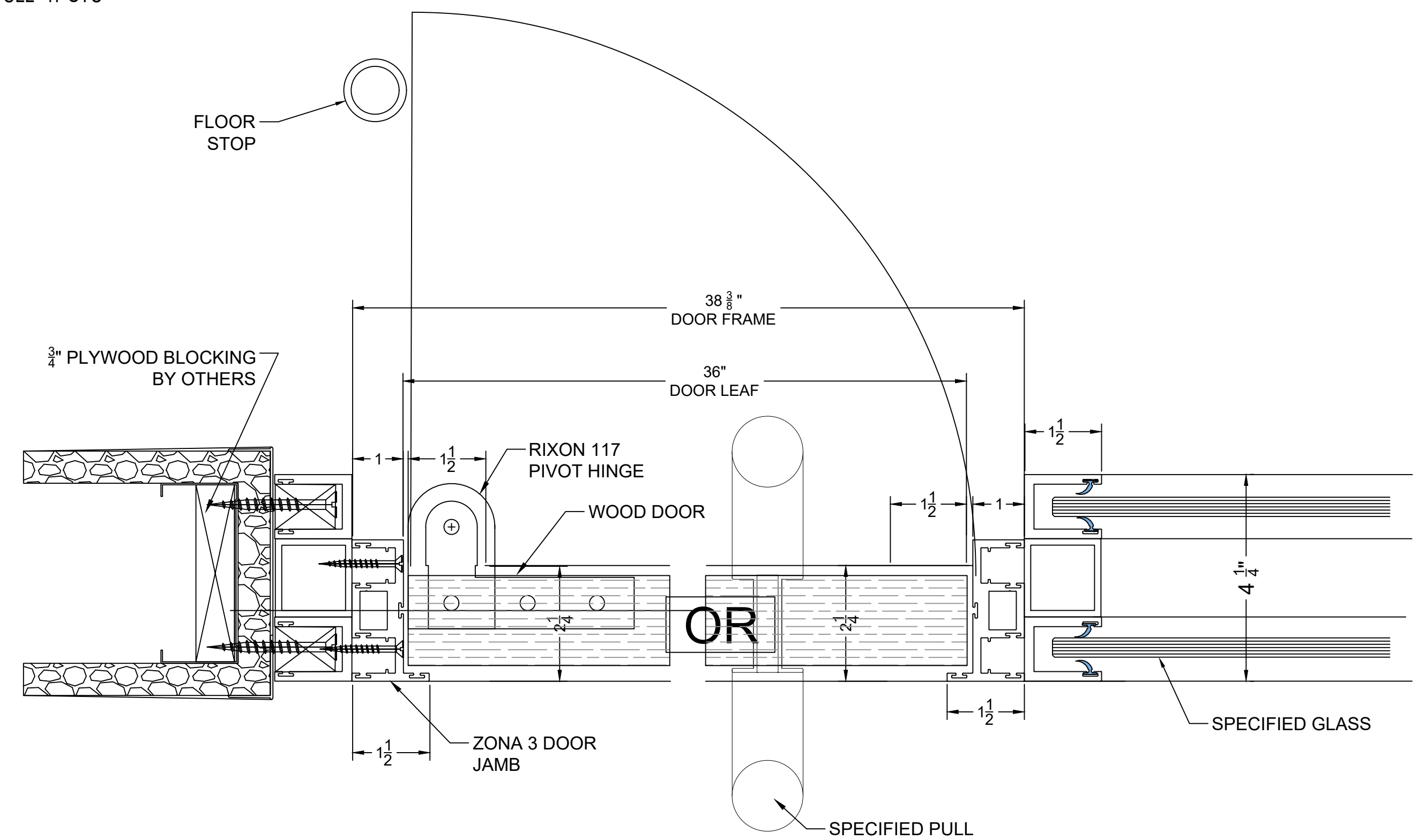
**8** HORZ. SECT @ CORNER MITER  
47 STC



**7** (2) ACTIVE DOORS BTW FIXED GLASS SIDE LITES  
HORZ. SECT. @ DBL GLZD DOUBLE DOORS W/PULL 47 STC



**6A** DOOR @ NIB WALL  
HORZ. SECT. @ WOOD DOOR W/LOCKSET 47 STC



**5A** DOOR @ NIB WALL  
HORZ. SECT. @ WOOD DOOR W/PULL 47 STC

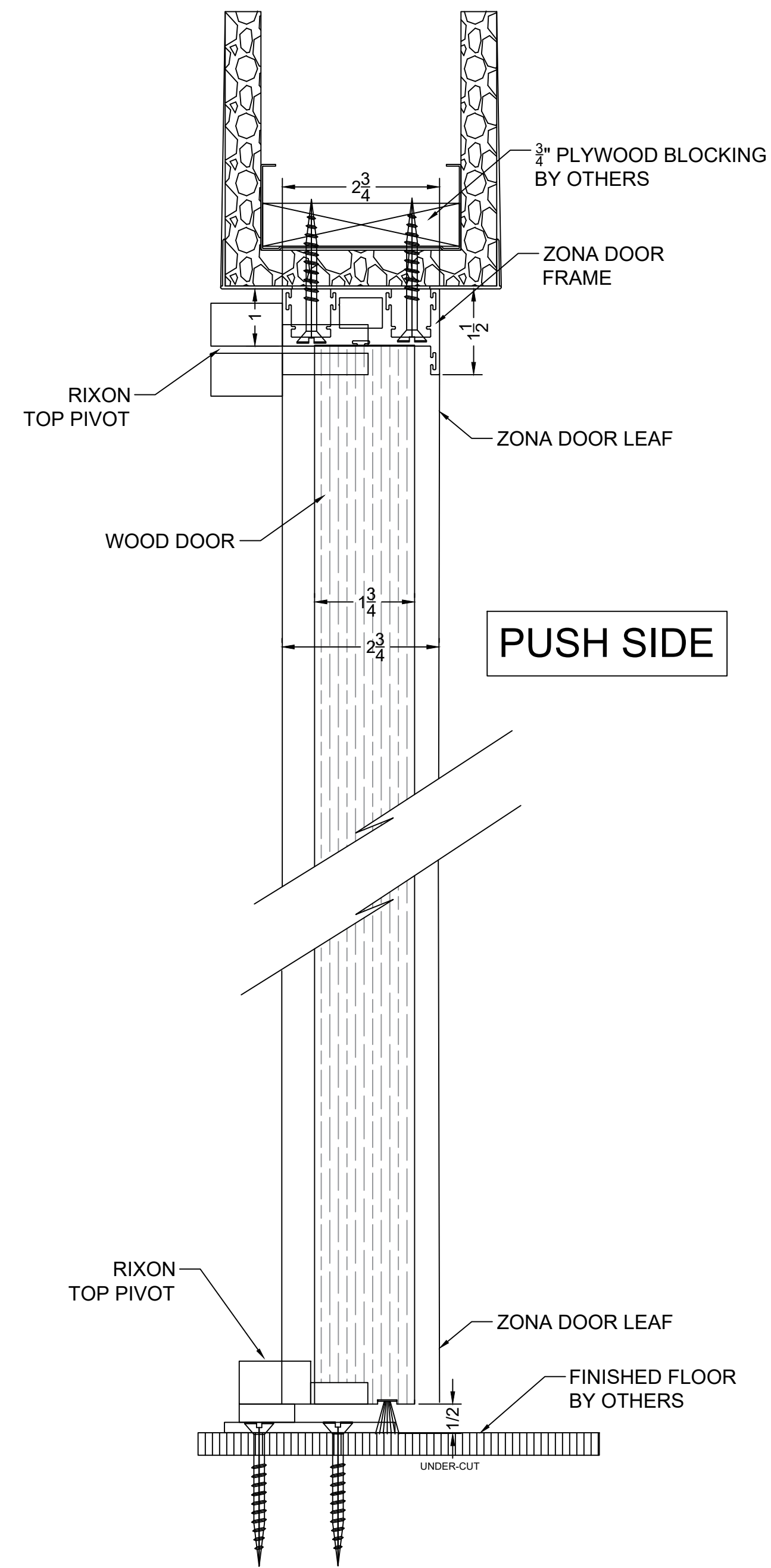
REV	DATE	DESCRIPTION
1	09/00/23	
2		
3		

**DOUBLE GLAZED SYSTEMS**

DETAIL

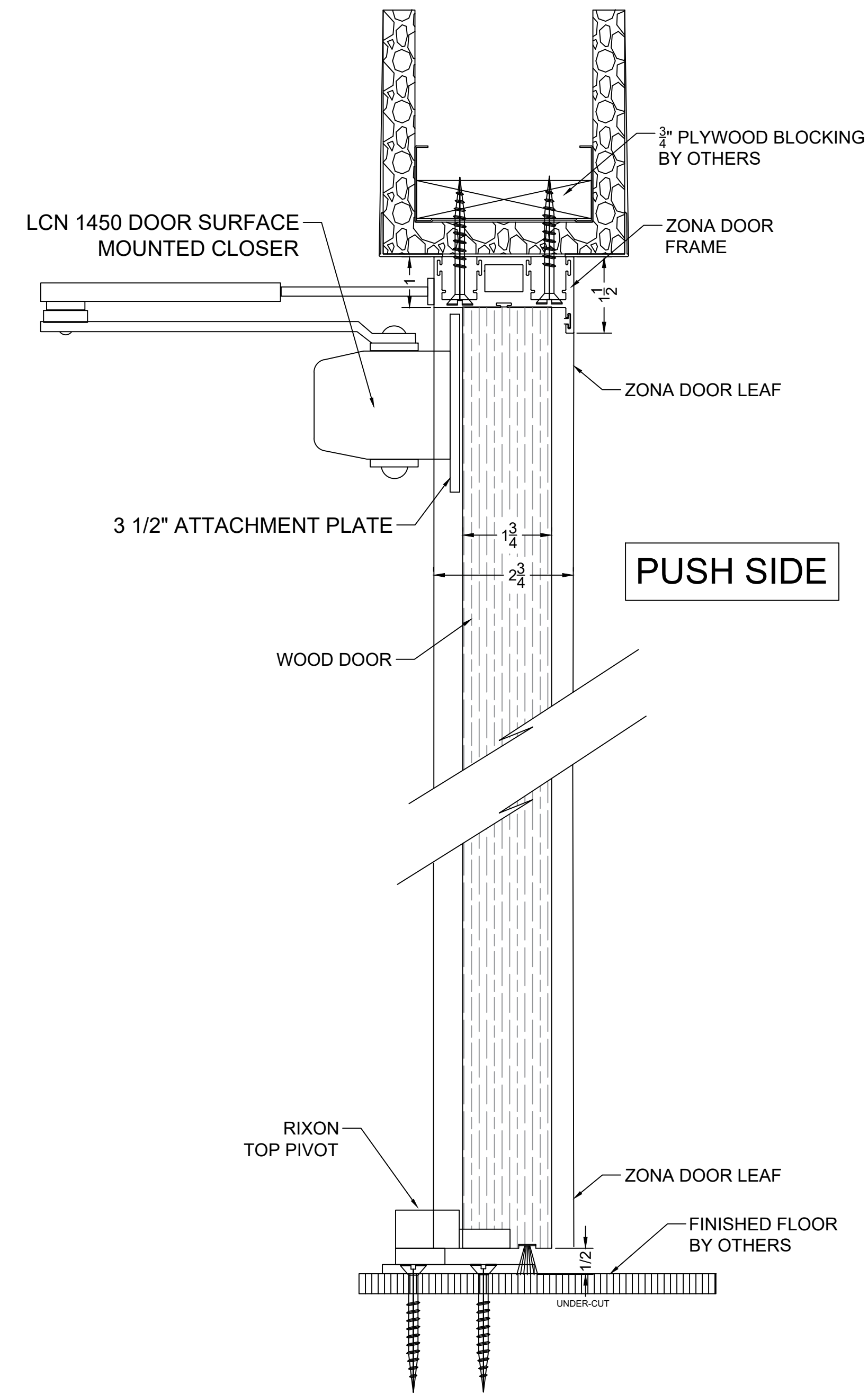
DATE	DRAWING NUMBER
SCALE 1:2	D-3
DRAWN BY D.P	4 OF 5

# 47 STC



**2A** RIXON PIVOT HINGE- FREE-SWING DOOR  
VERT. SECT. @ WOOD DOOR

OR



**2A** RIXON PIVOT HINGE- SURFACE MOUNTED CLOSER  
VERT. SECT. @ WOOD DOOR

REV	DATE	DESCRIPTION
1	09/00/23	
2		
3		

**DOUBLE GLAZED SYSTEMS**

DRAWING NAME	
DETAIL	
DATE	DRAWING NUMBER
SCALE	D-4
DRAWN BY	5 OF 5