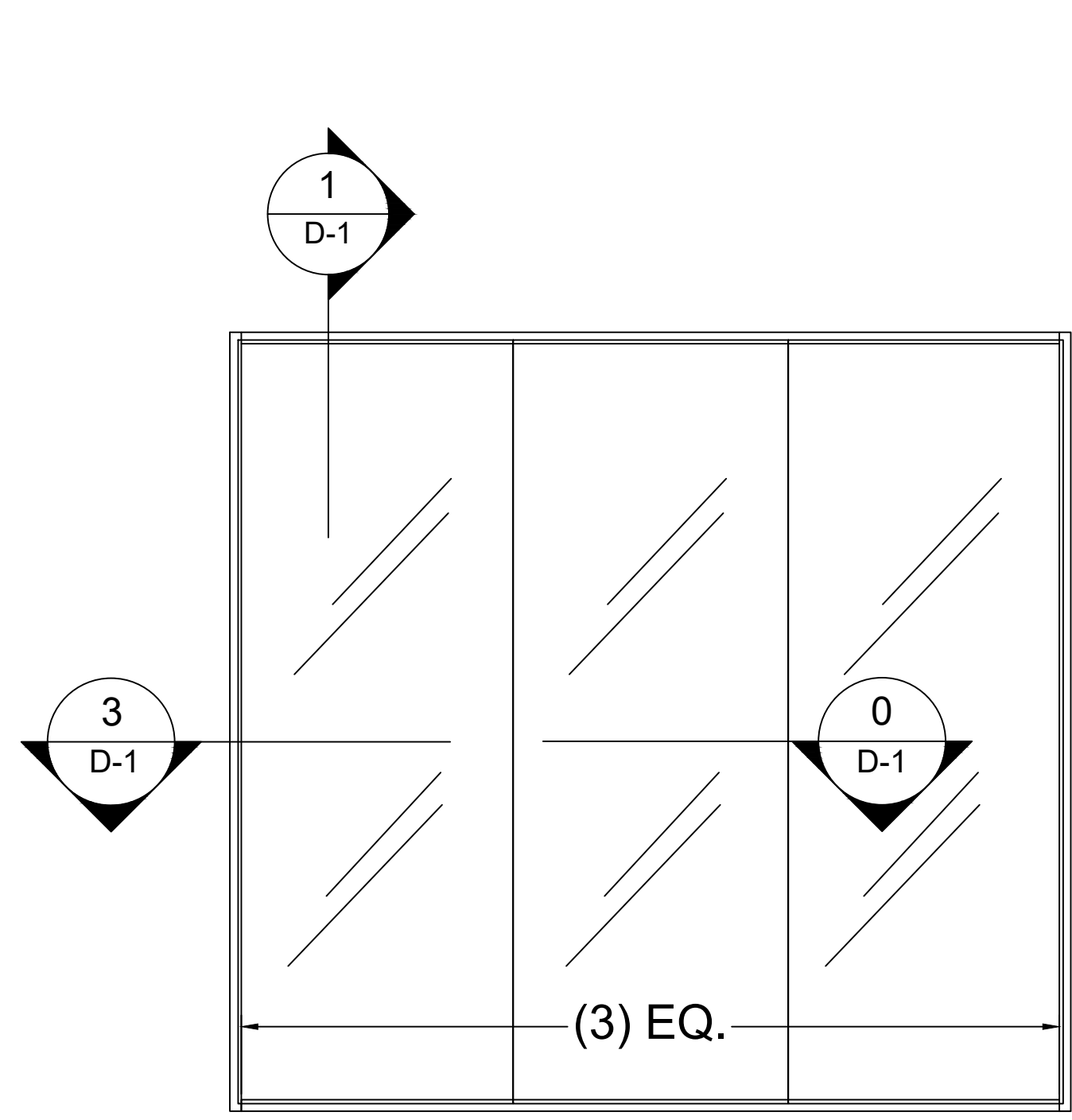


ZONA 3  
(40) STC

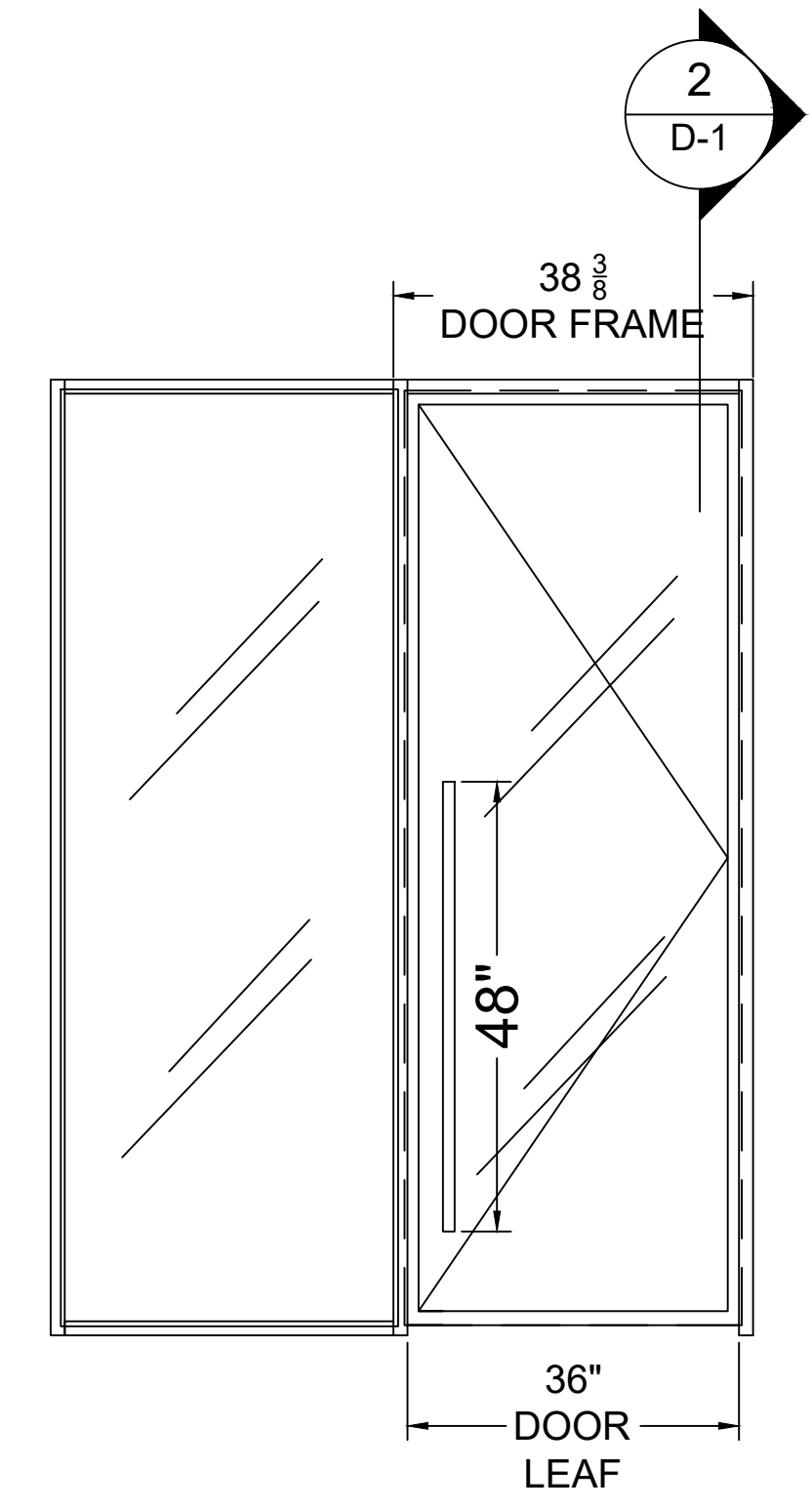
REV	DATE	DESCRIPTION
1	09/00/23	
2		
3		

DOUBLE GLAZED SYSTEMS	
DRAWING NAME	
FLOORPL	
DATE	DRAWING N°
SCALE	A
DRAWN BY	
D.P.	

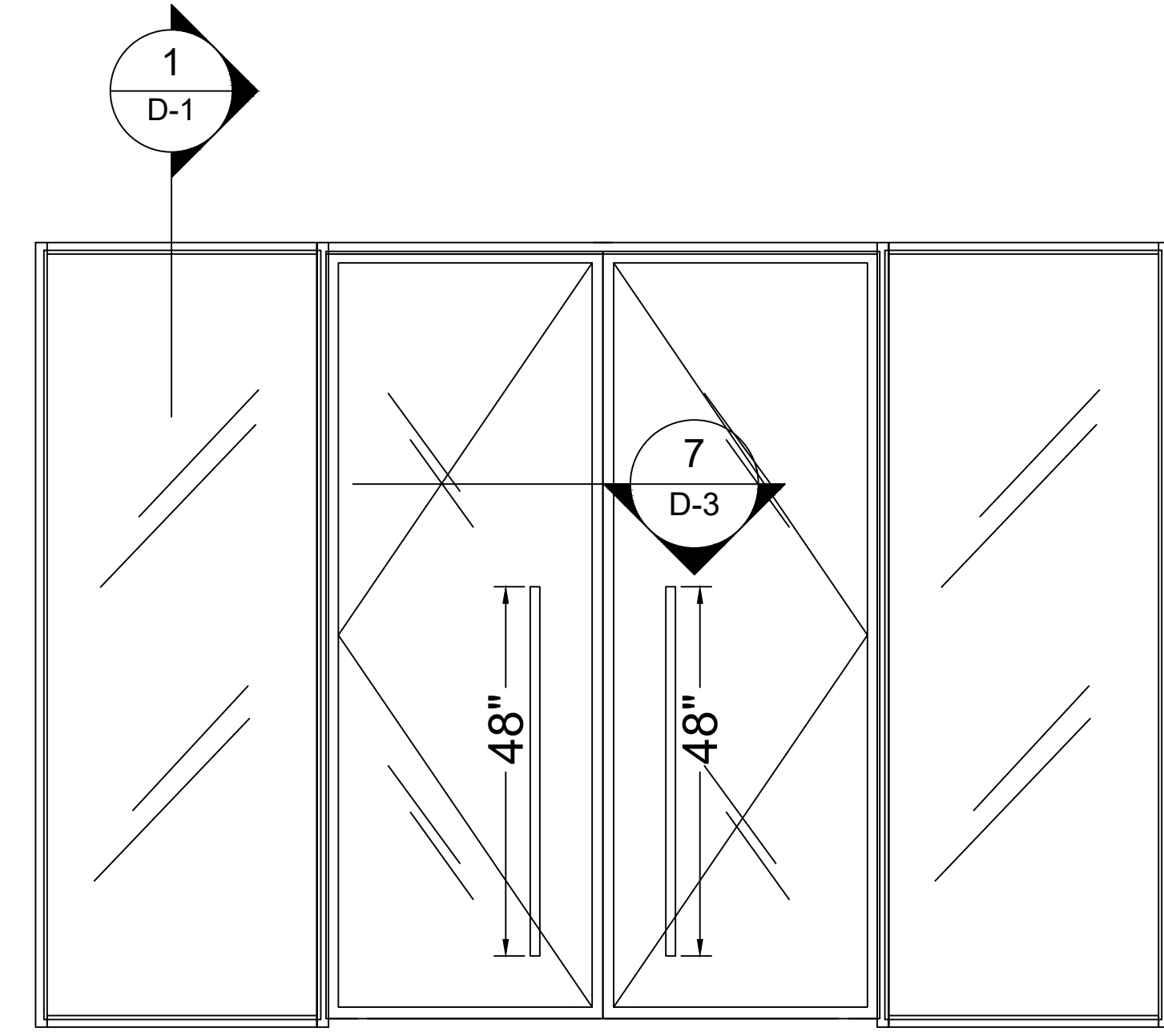
# 40 STC



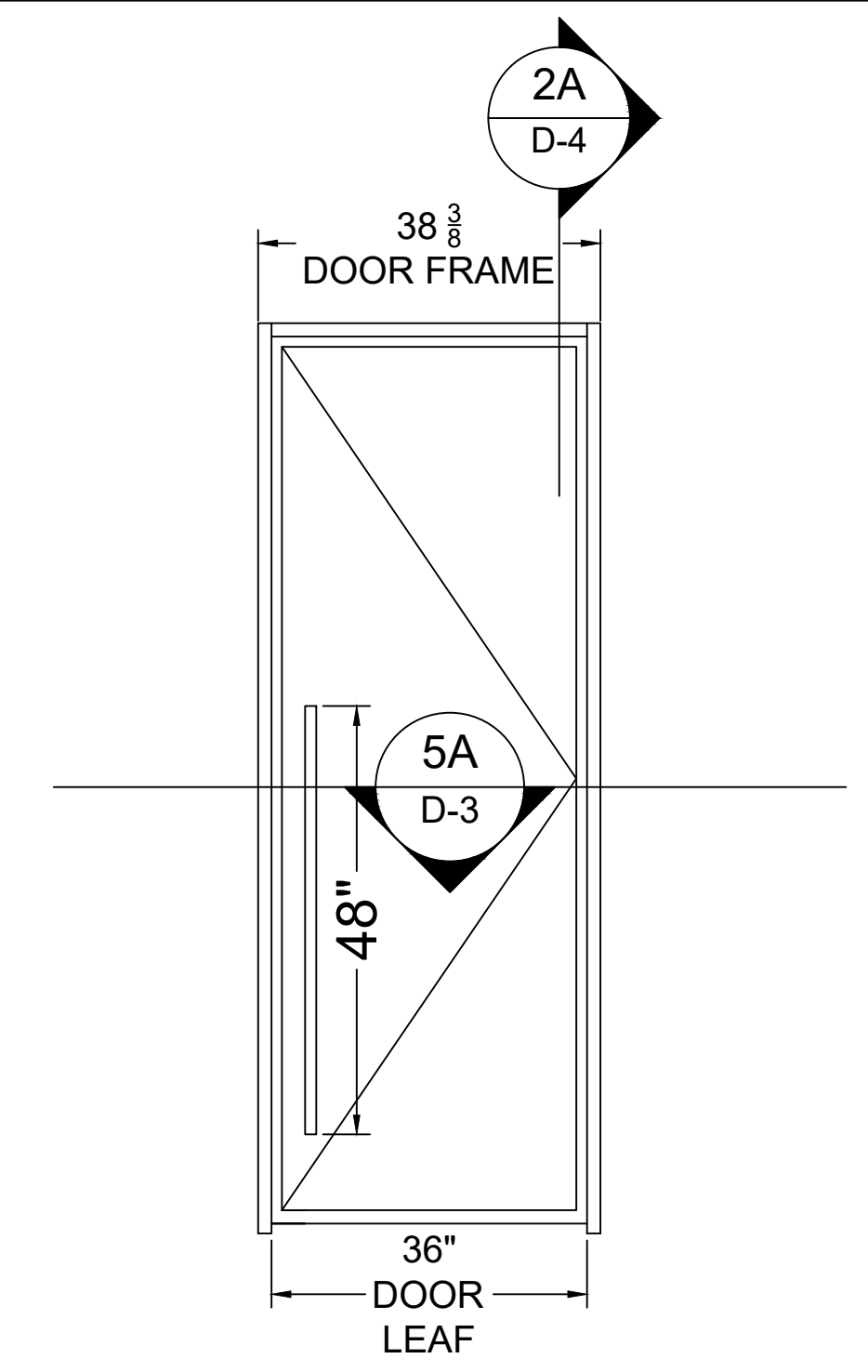
40 FIXED GLASS SYSTEM EXAMPLE



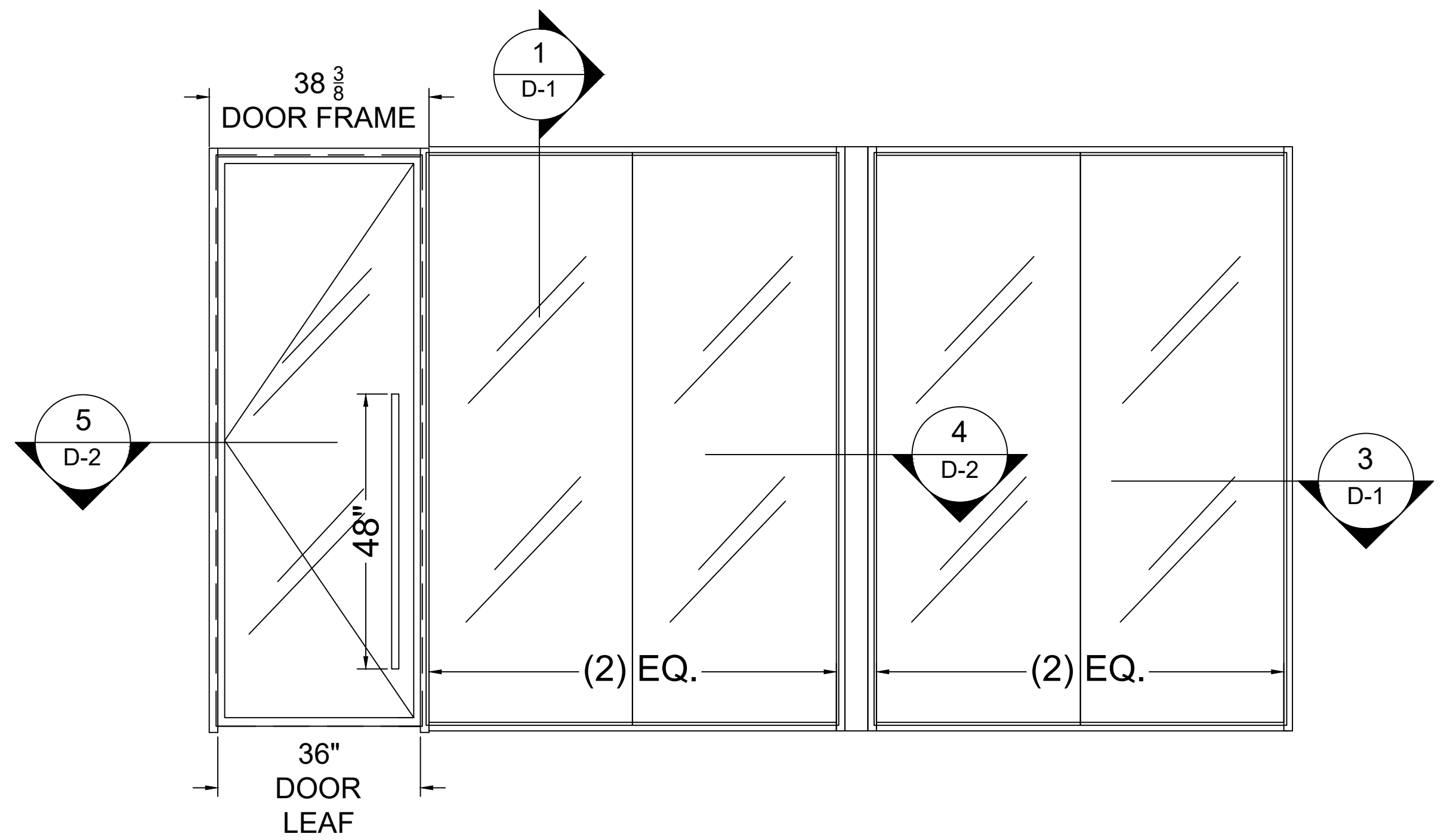
40 DOOR WITH FIXED GLASS EXAMPLE



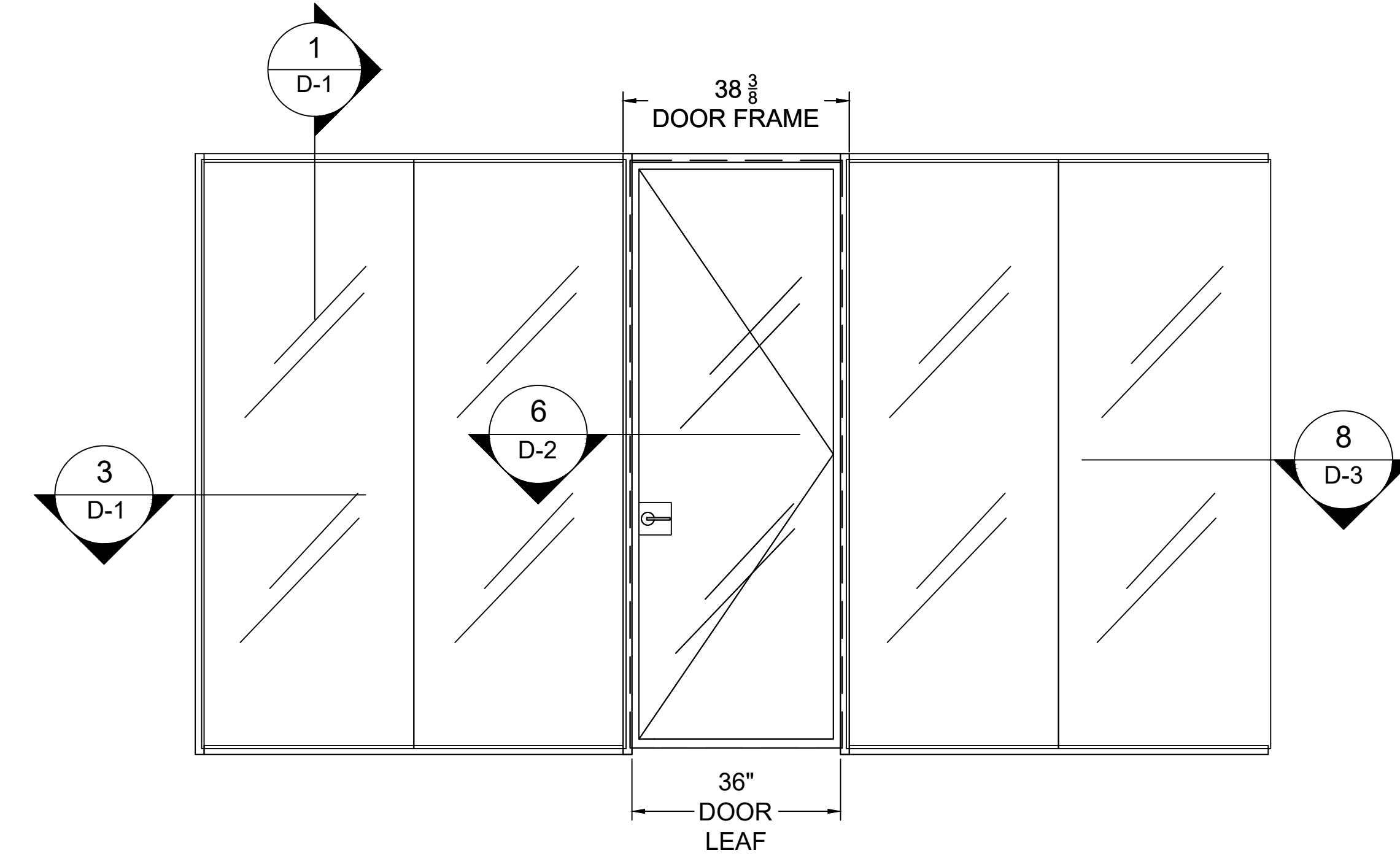
40 DOUBLE DOOR WITH FIXED GLASS EXAMPLE



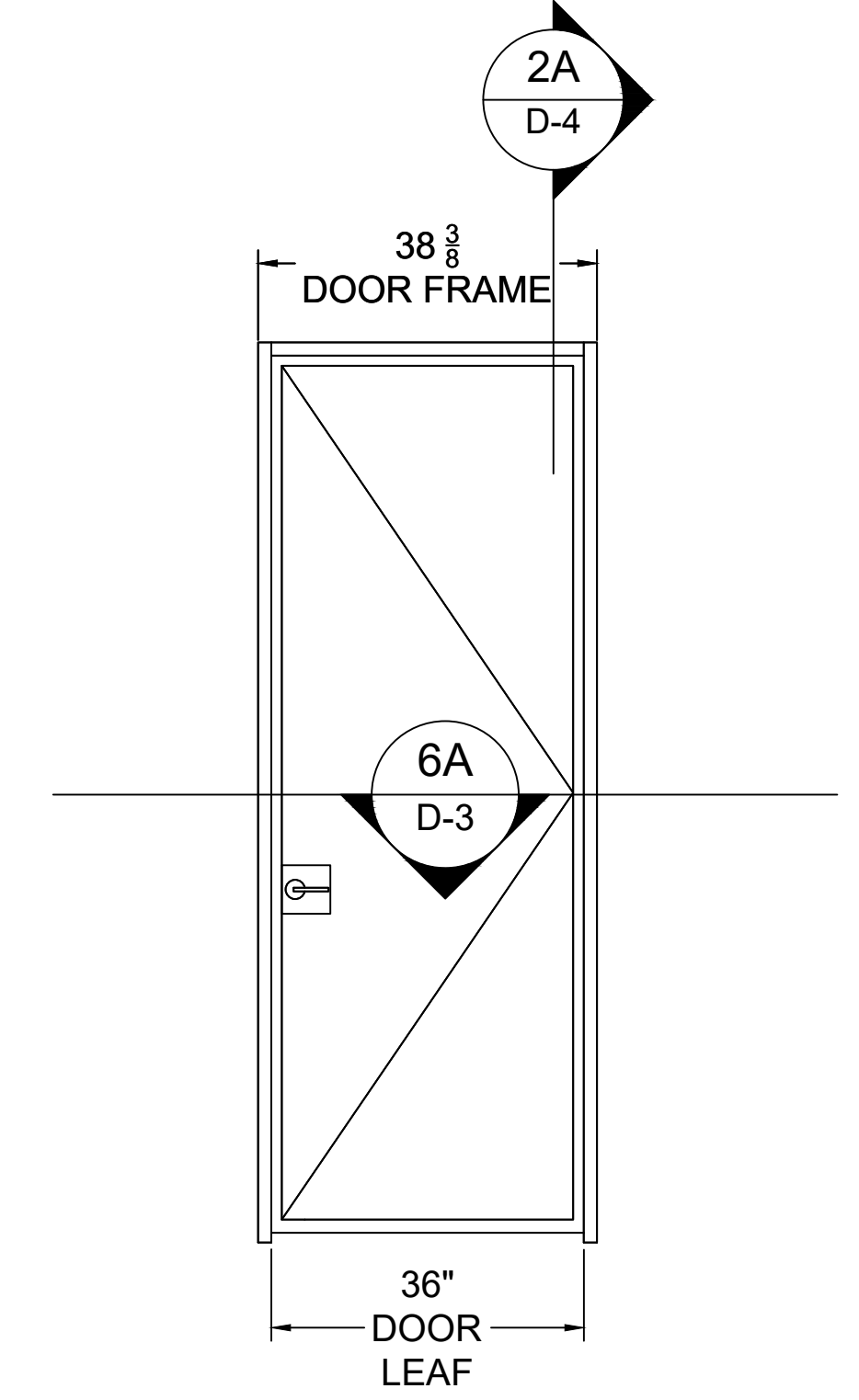
40 WOOD DOOR W PULL EXAMPLE



40 TYPICAL SYSTEM W/ DOOR STARTER AND DIVIDER EXAMPLE



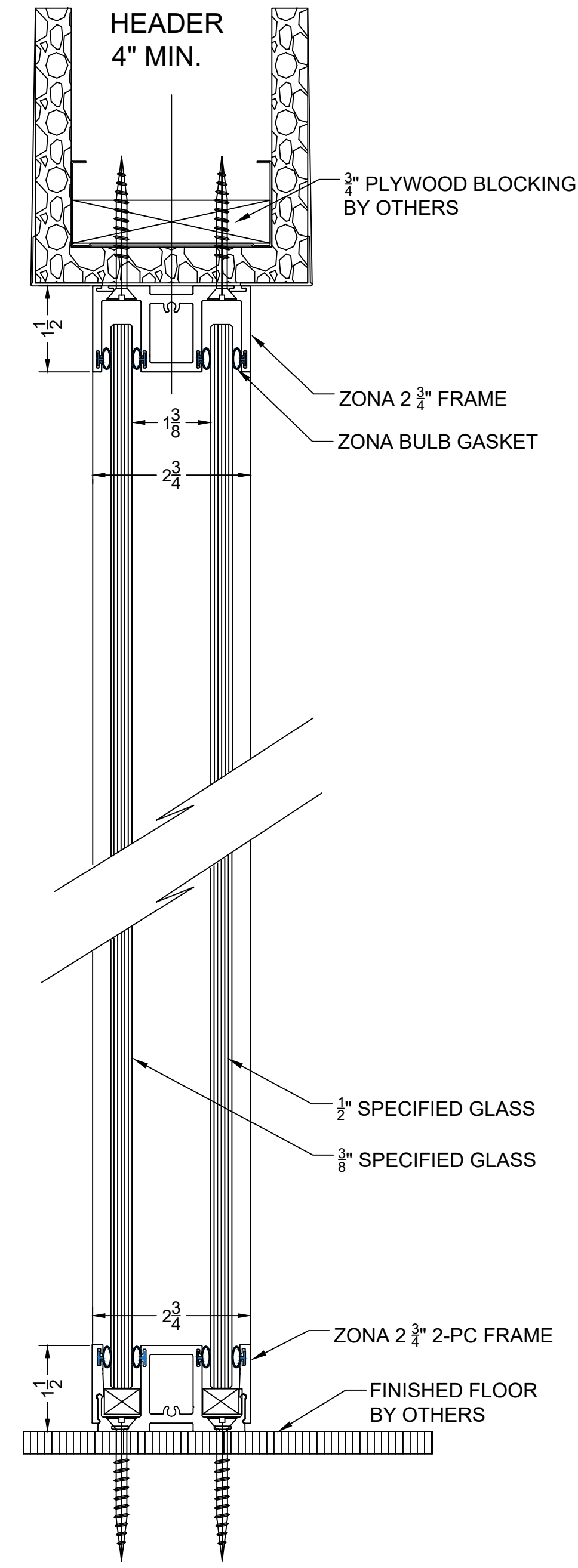
40 LEVER AND LOCKSET DOOR EXAMPLE



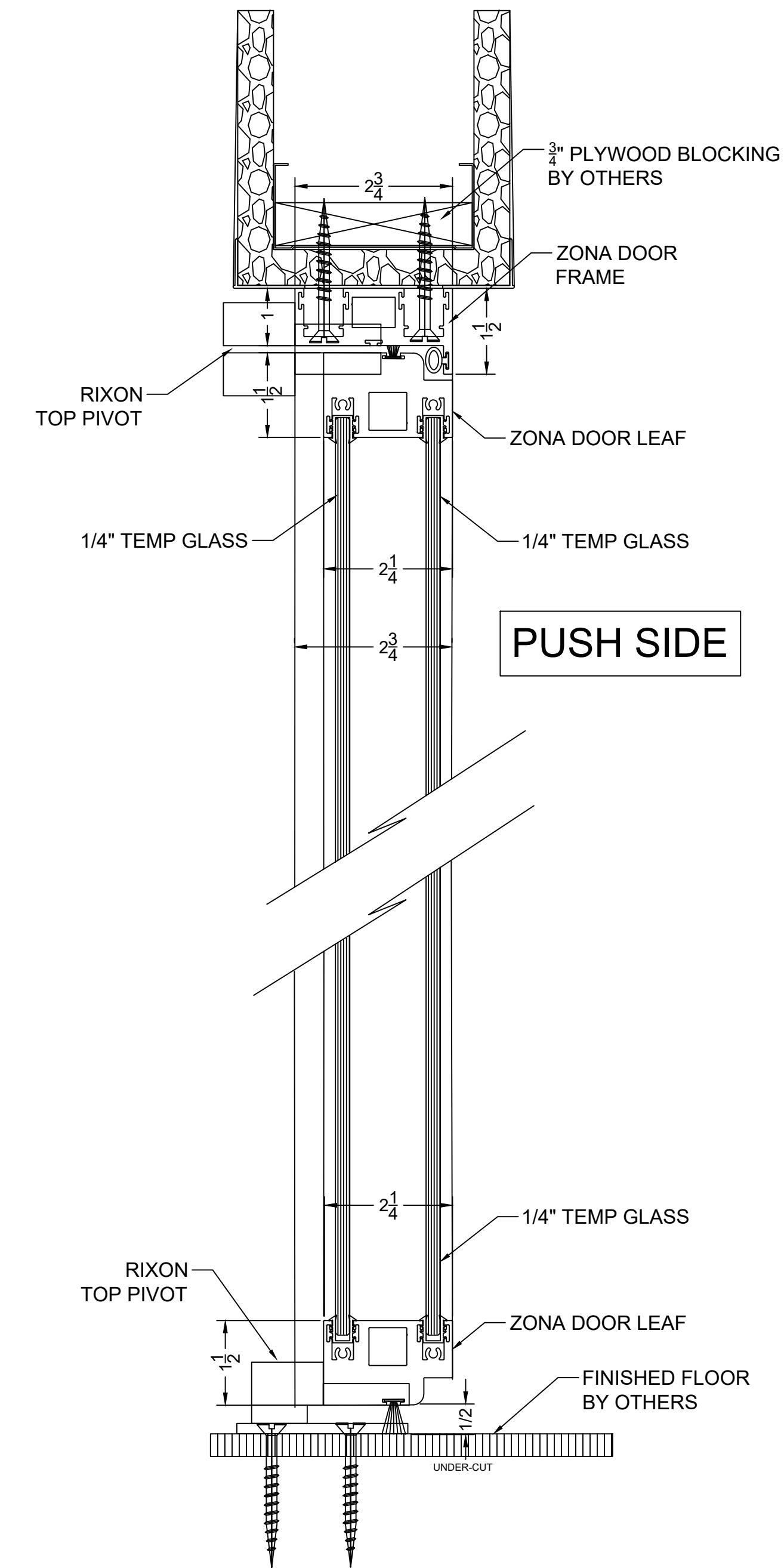
40 WOOD DOOR W LOCKSET EXAMPLE

REV	DATE	DESCRIPTION
1	09/00/23	
2		
3		

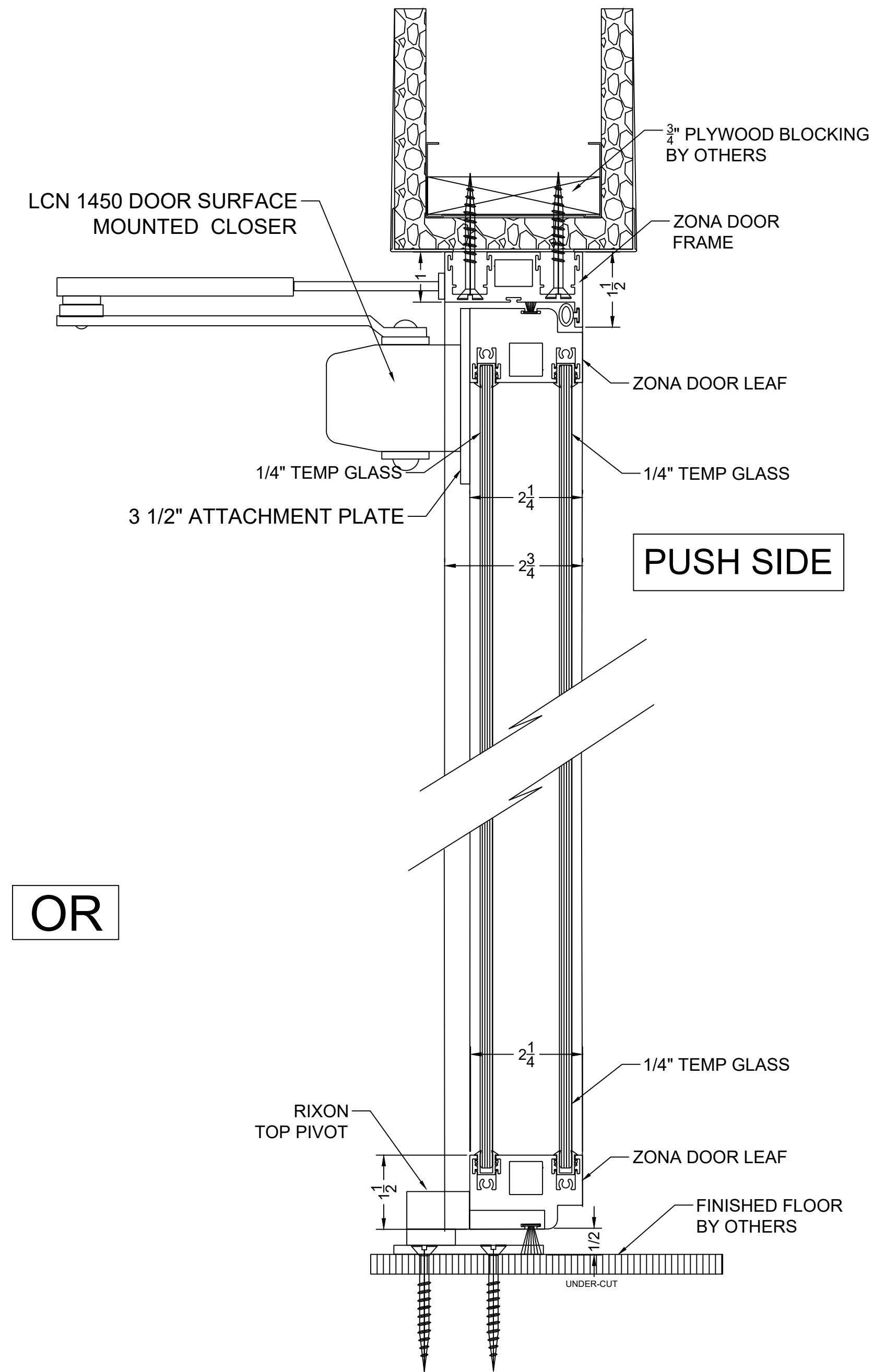
<b>DOUBLE GLAZED SYSTEMS</b>	
DRAWING NAME	
ELEVATION	
DATE	DRAWING NUMBER
SCALE	E-1
DRAWN BY	10F5



**1** MAX. STC = 40  
VERT. SECT @ ZONA DBL GLZD FIXED PANEL

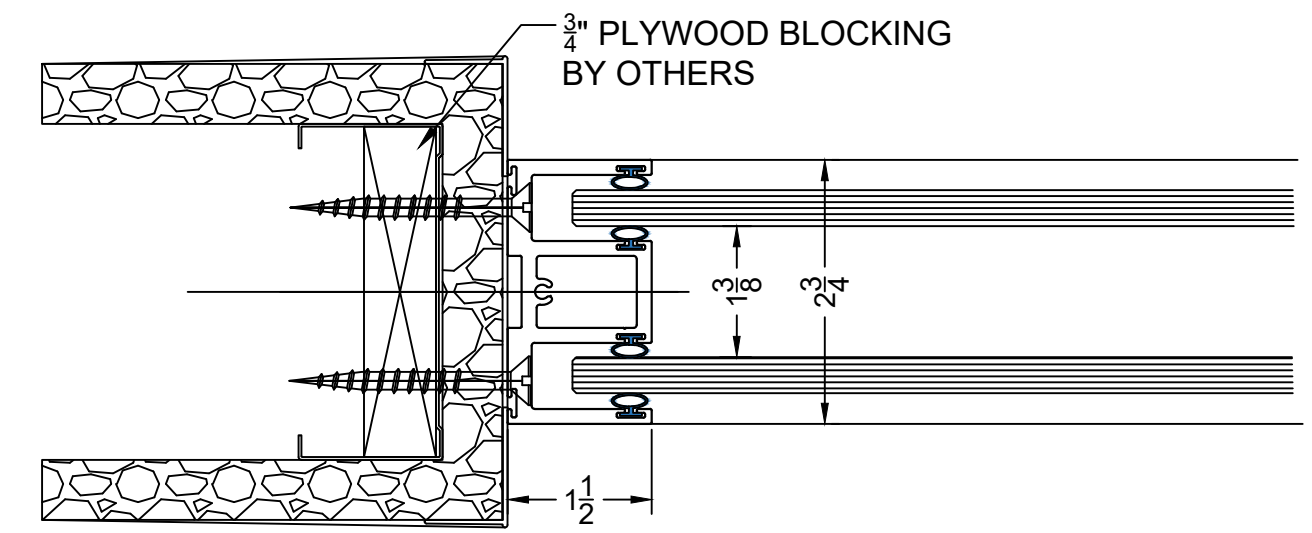


**2** RIXON PIVOT HINGE- FREE-SWING DOOR  
VERT. SECT. @ DBL GLZD DOOR

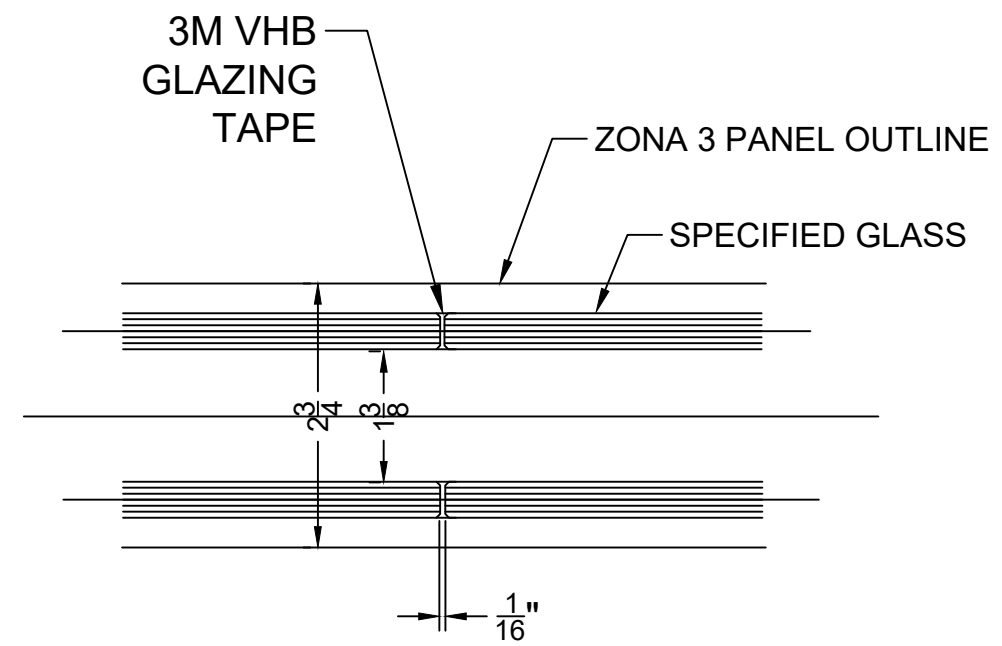


**2** RIXON PIVOT HINGE- SURFACE MOUNTED CLOSER  
VERT. SECT. @ DBL GLZD DOOR

OR



**3** SECTION @ FIXED PANEL @ NIB WALL  
40 STC



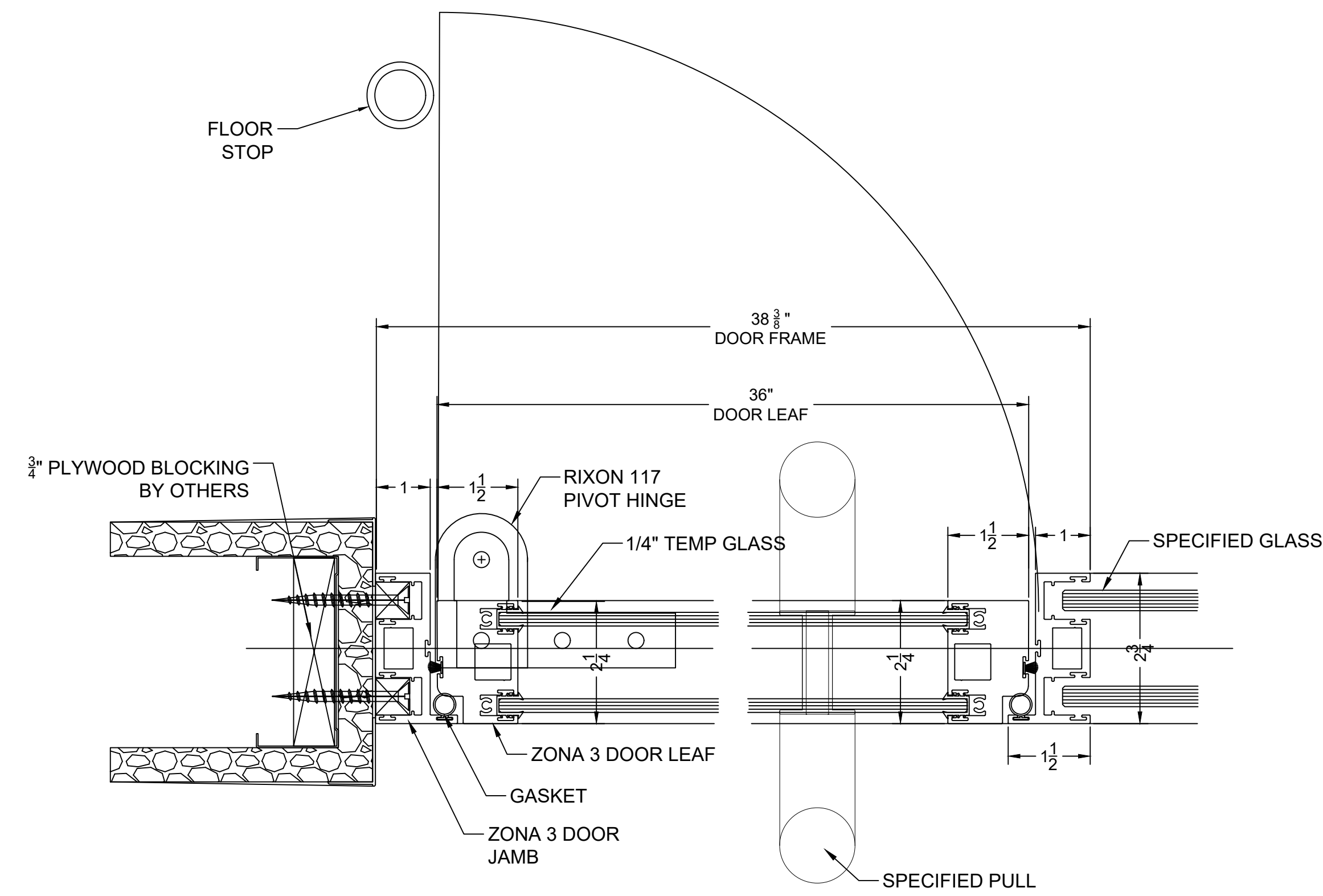
**0** HORZ. SECT @ GLASS JOINT  
40 STC

**40 STC**

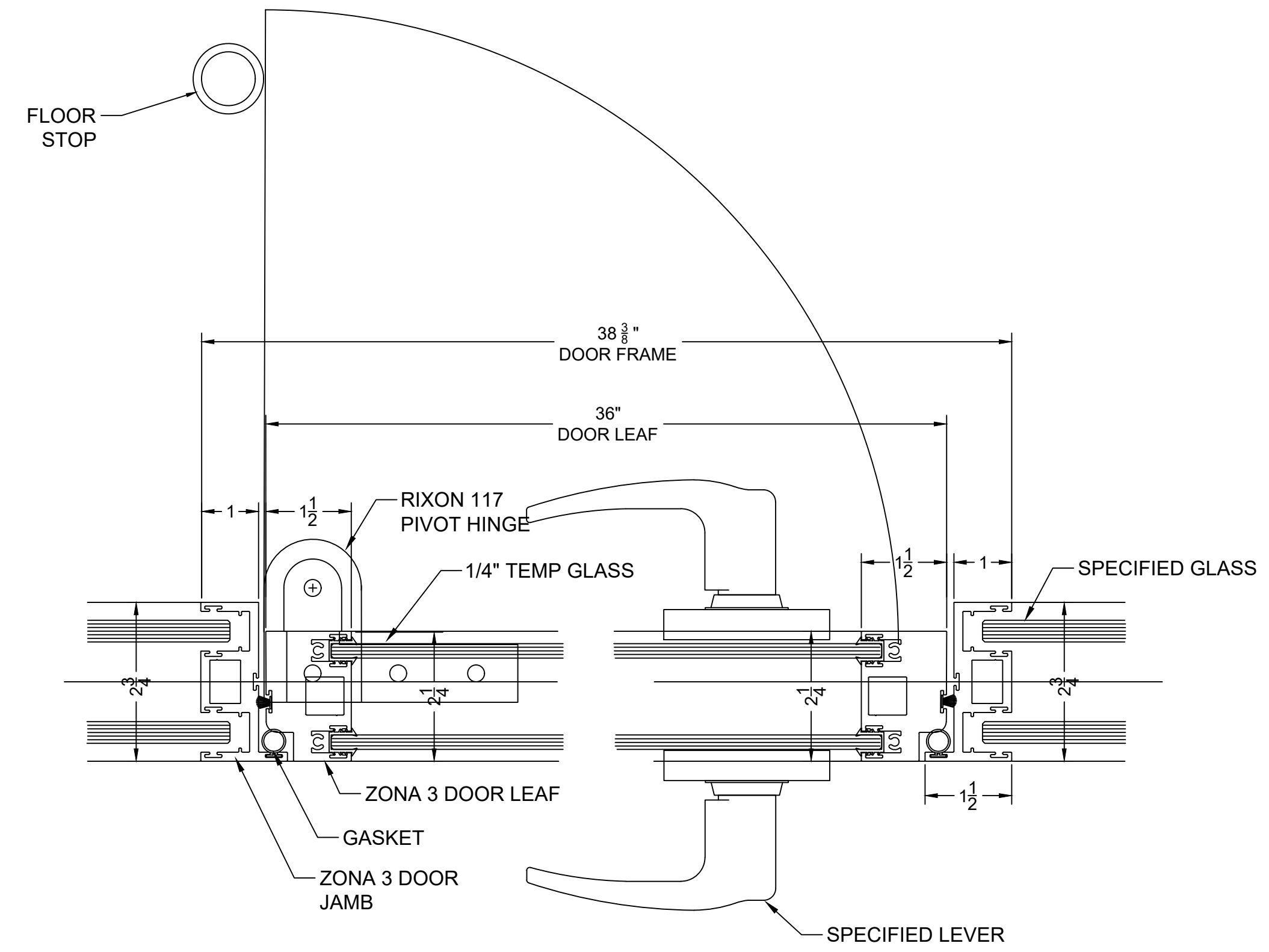
REV	DATE	DESCRIPTION
1	09/00/23	
2		
3		

DOUBLE GLAZED SYSTEMS

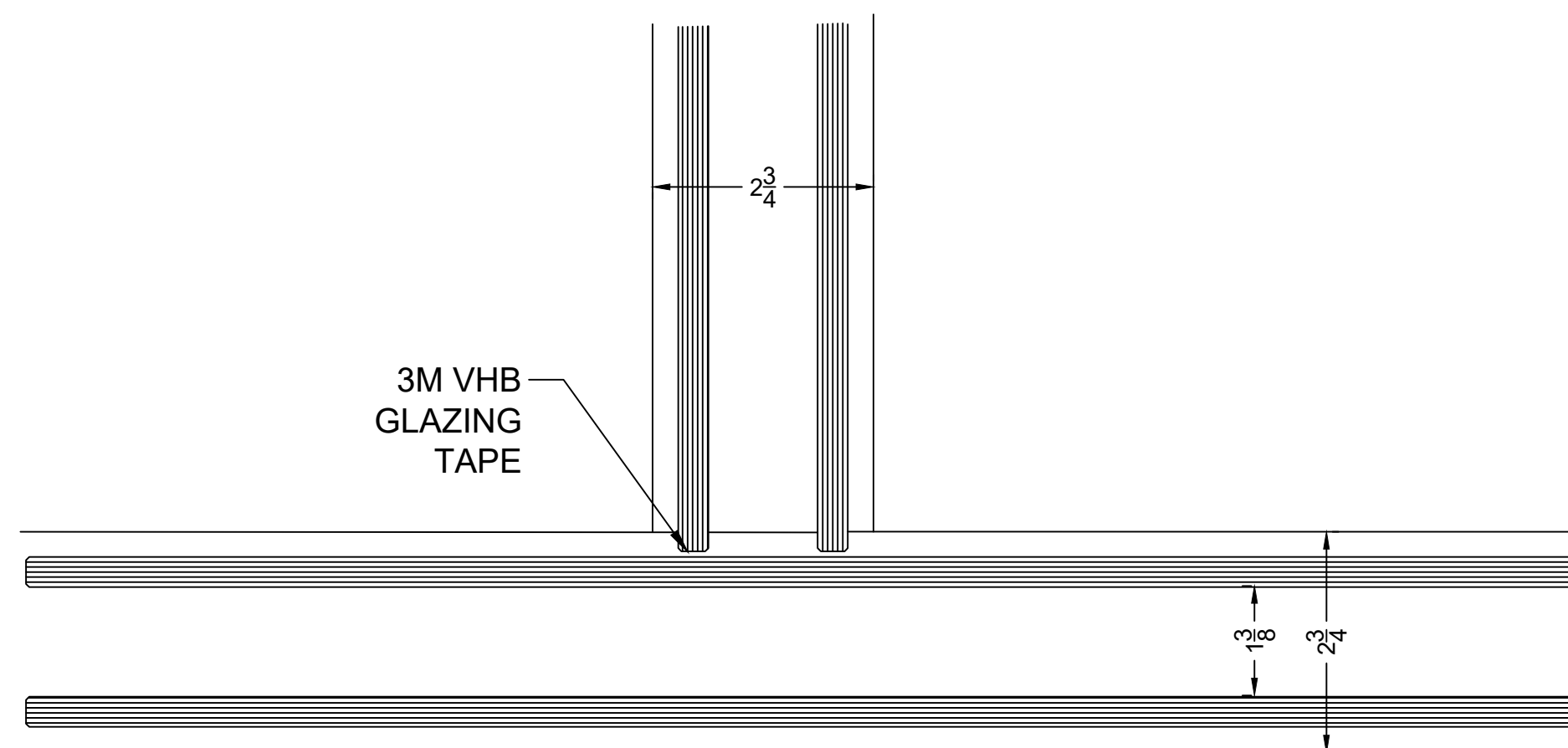
DRAWING NAME	
DETAIL	
DATE	DRAWING NUMBER
1:2	
SCALE	
DRAWN BY	D-1
D.P.	2 OF 5



5 DOOR @ NIB WALL  
HORZ. SECT. @ DBL GLZD DOOR W/PULL 40 STC

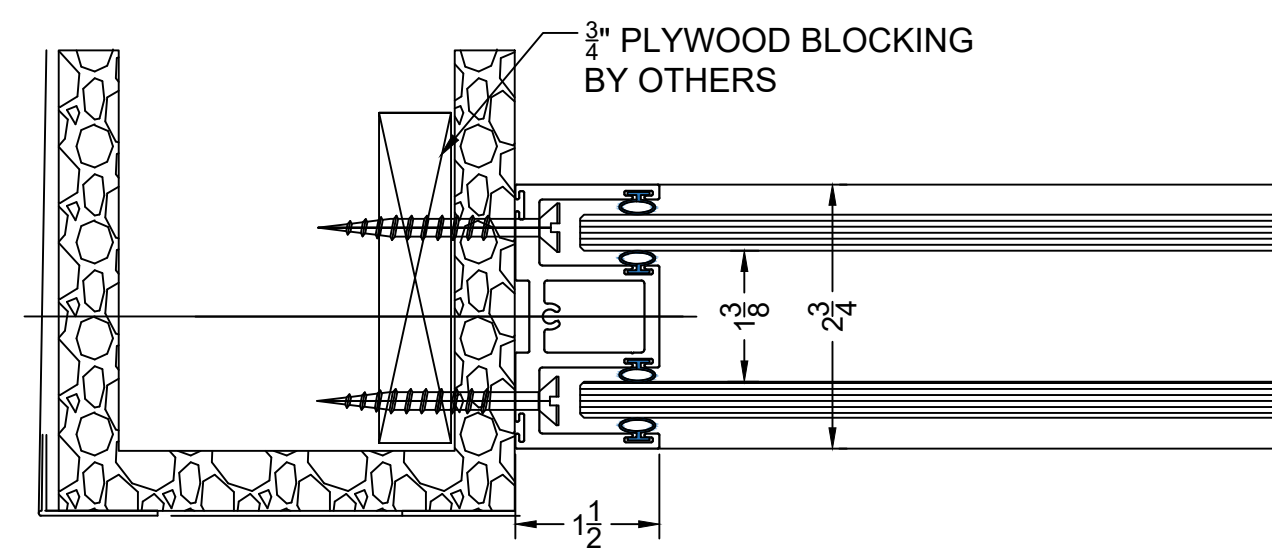


6 DOOR BTW FIXED GLASS SIDE LITES  
HORZ. SECT. @ DBL GLZD DOOR W/LOCKSET 40 STC



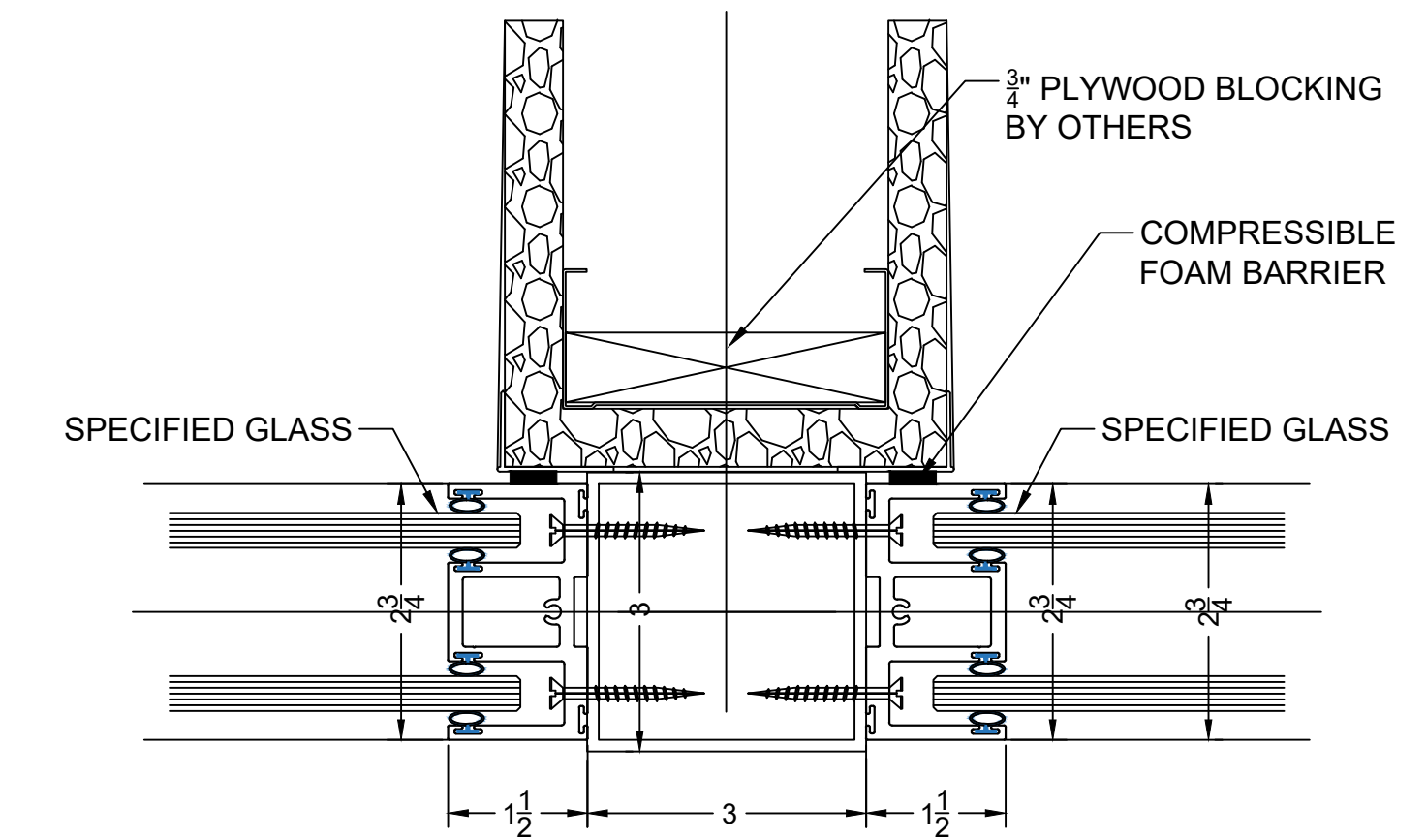
4 HORZ. SECT @ "T" CONNECTION  
40 STC

OR



4 SECTION @ FIXED PANEL @ DIVIDER WALL  
40 STC

OR



4 HORZ. SECT @ DIVIDER WALL  
WITH FLY-BY POST 40 STC

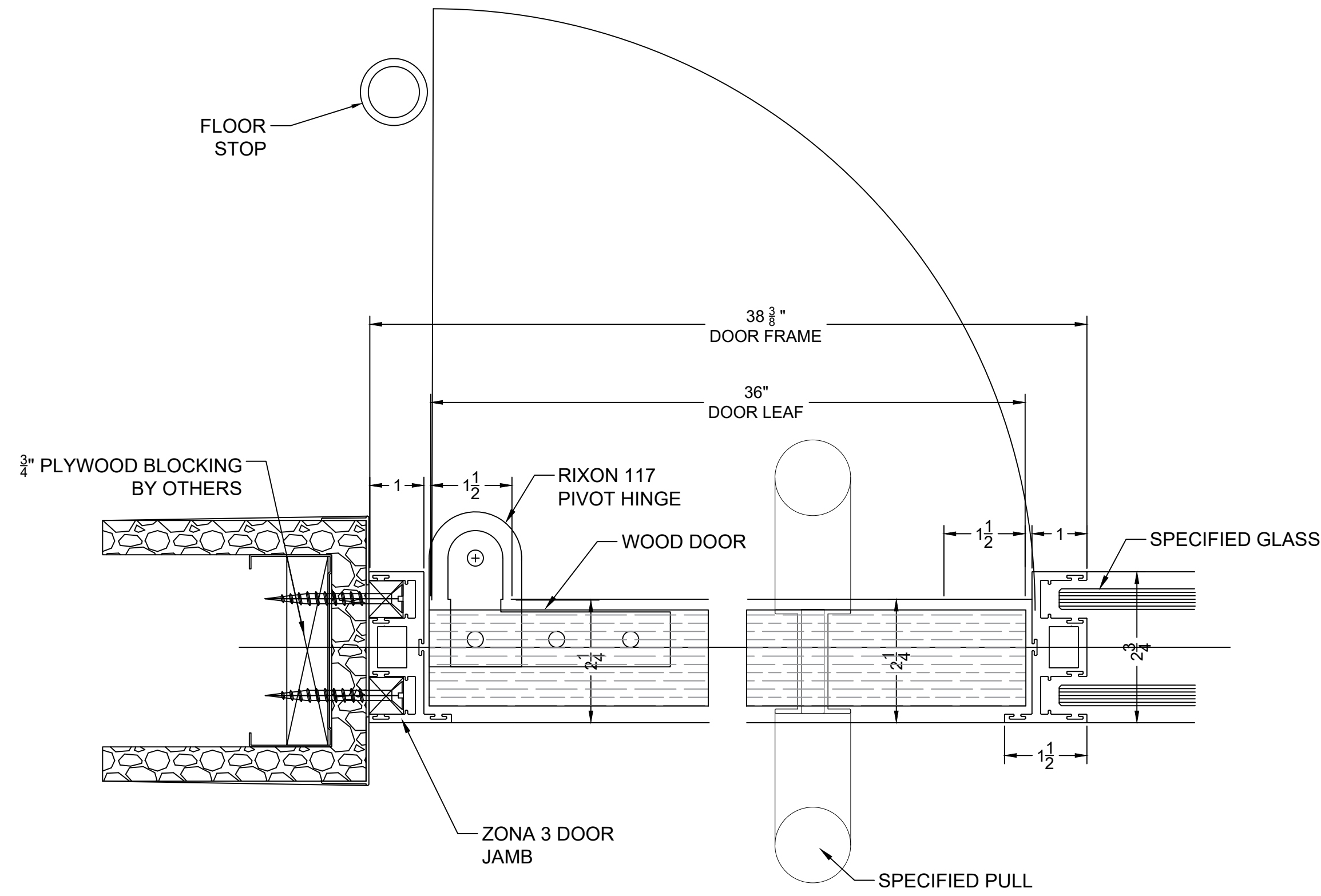
40 STC

REV	DATE	DESCRIPTION
1	09/00/23	
2		
3		

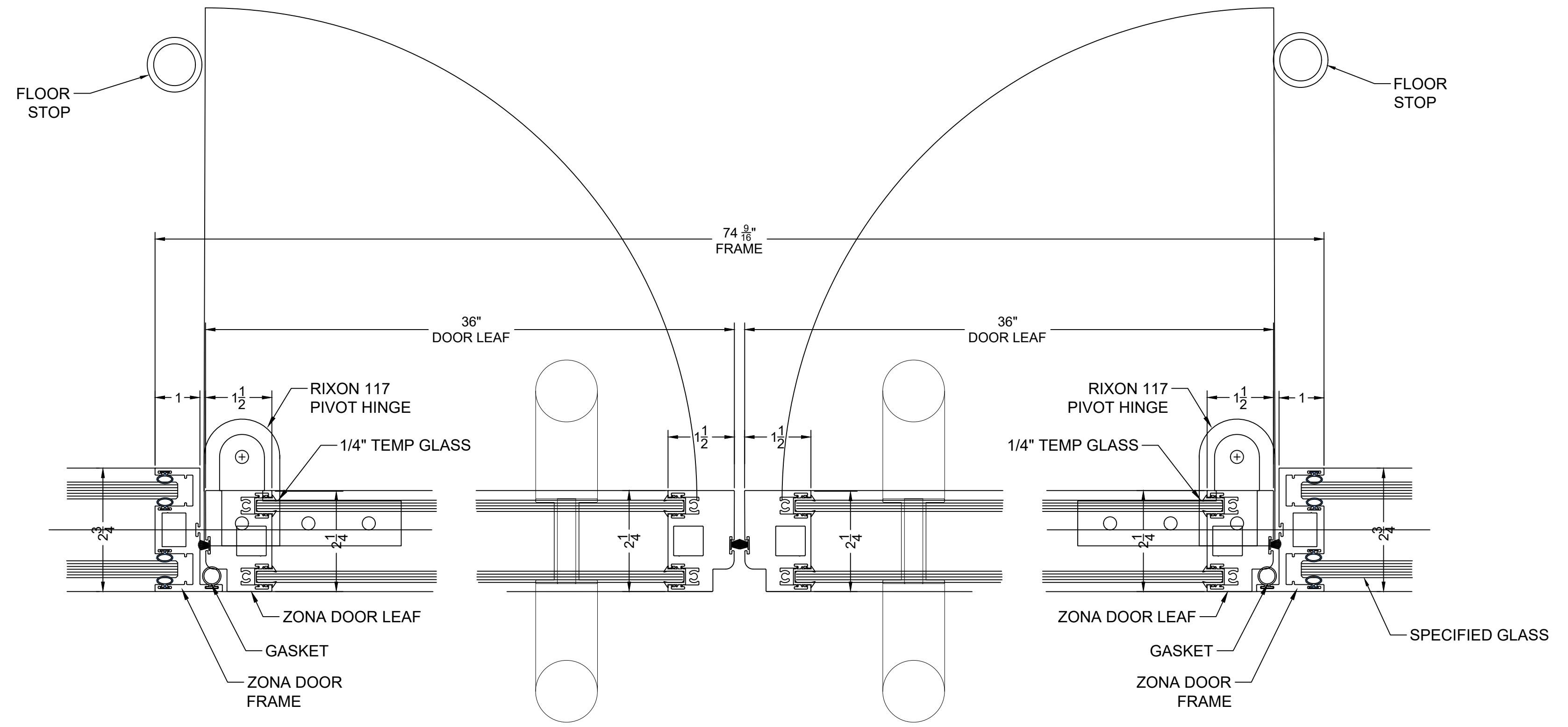
DOUBLE GLAZED SYSTEMS

DRAWING NAME DETAIL	
DATE	DRAWING NUMBER
SCALE 1:2	D-2
DRAWN BY D.P	3 OF 5

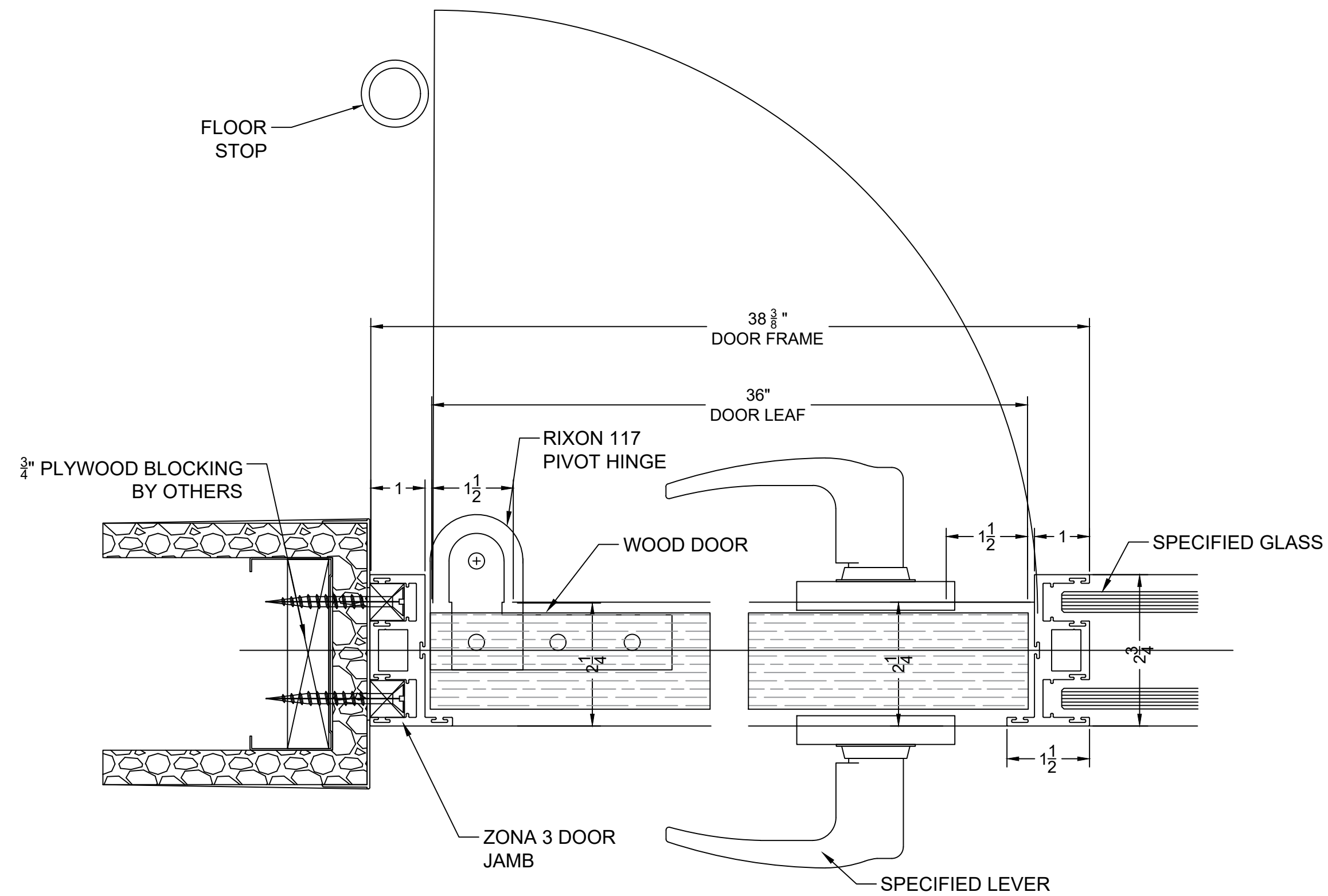




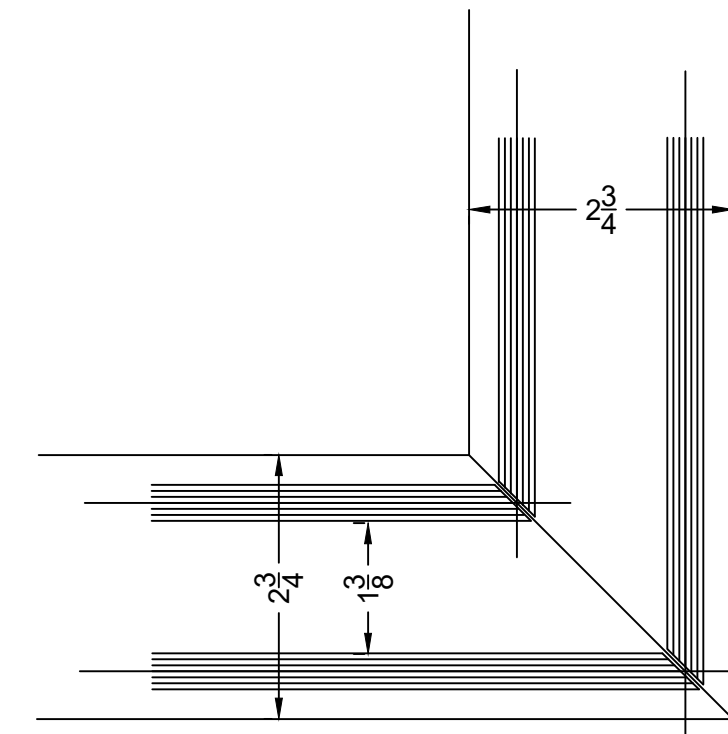
**5A** DOOR @ NIB WALL  
HORZ. SECT. @ WOOD DOOR W/PULL 40 STC



**7** (2) ACTIVE DOORS BTW FIXED GLASS SIDE LITES  
HORZ. SECT. @ DBL GLZD DOUBLE DOORS W/PULL 40 STC



**6A** DOOR @ NIB WALL  
HORZ. SECT. @ WOOD DOOR W/LOCKSET 40 STC



**8** HORZ. SECT @ CORNER MITER  
40 STC

**40 STC**

REV	DATE	DESCRIPTION
1	09/00/23	
2		
3		

**DOUBLE GLAZED SYSTEMS**

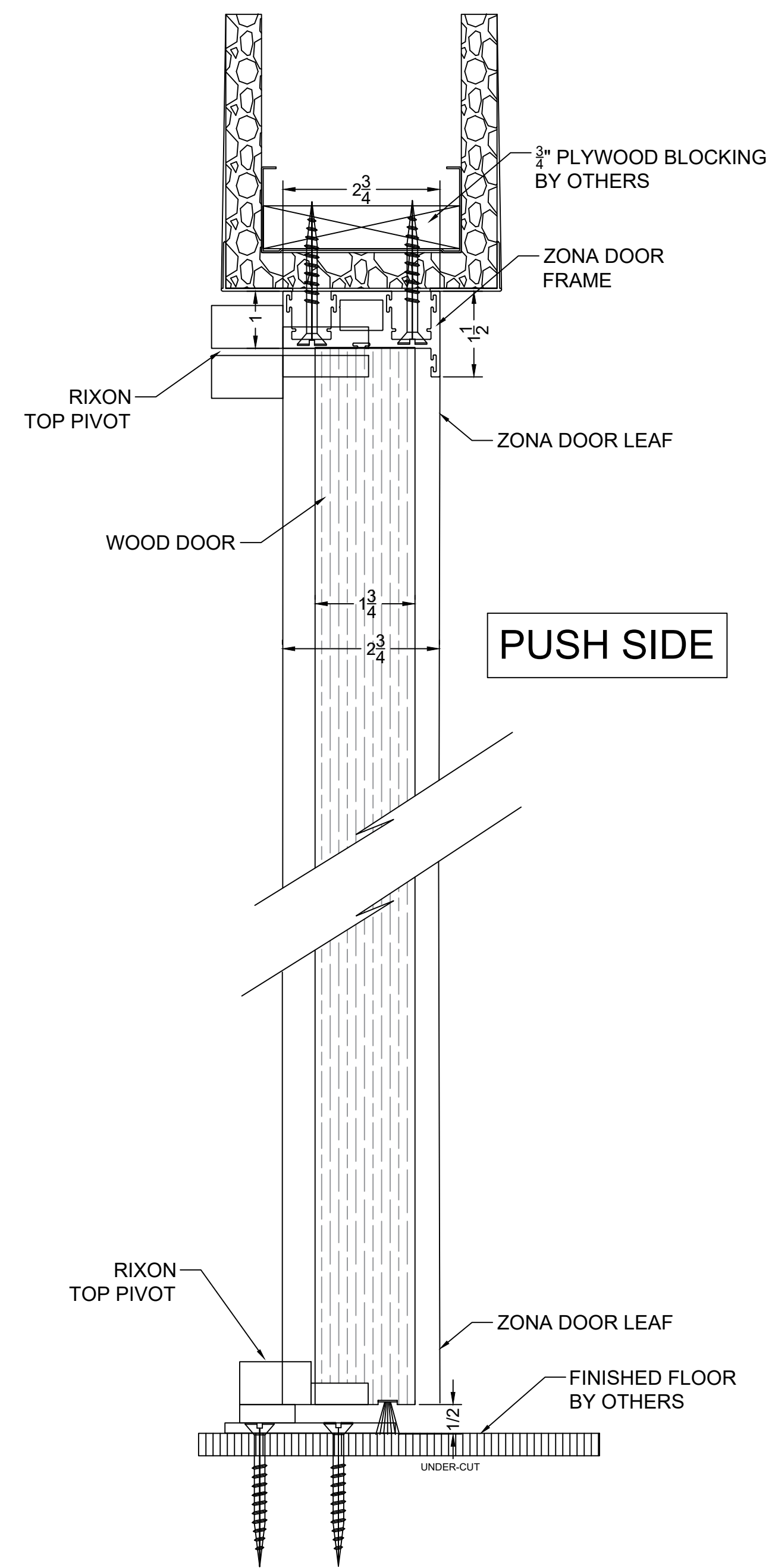
DRAWING NAME: **DETAIL**

SCALE: 1:2

DRAWING NUMBER: **D-3**

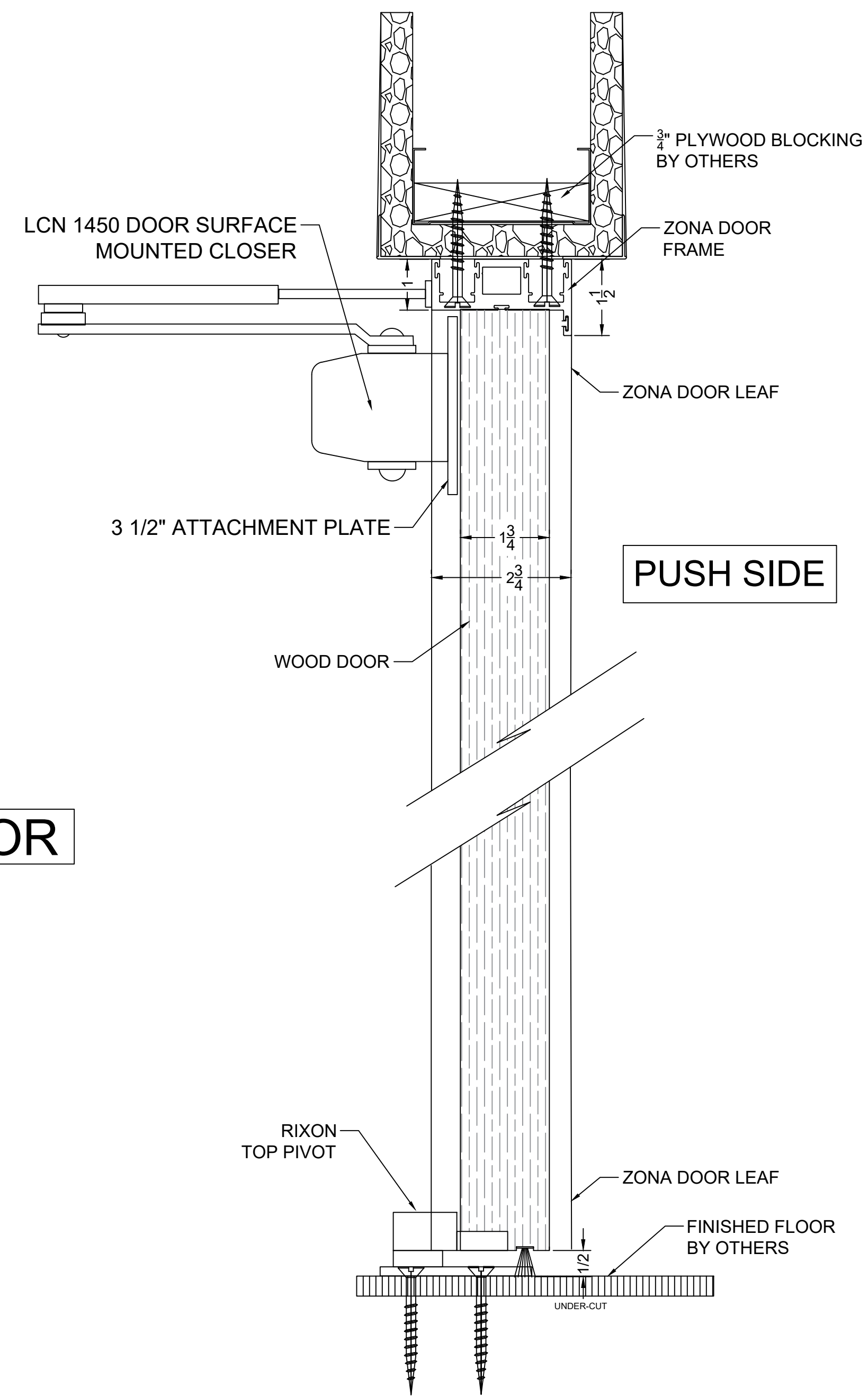
DRAWN BY: D.P.

4 OF 5



**2A** RIXON PIVOT HINGE- FREE-SWING DOOR  
VERT. SECT. @ WOOD DOOR

OR



**2A** RIXON PIVOT HINGE- SURFACE MOUNTED CLOSER  
VERT. SECT. @ WOOD DOOR

**40 STC**

REV	DATE	DESCRIPTION
1	09/00/23	
2		
3		

<b>DOUBLE GLAZED SYSTEMS</b>	
DRAWING NAME DETAIL	
DATE	DRAWING NUMBER
SCALE 1:2	D-4
DRAWN BY D.P.	5 OF 5