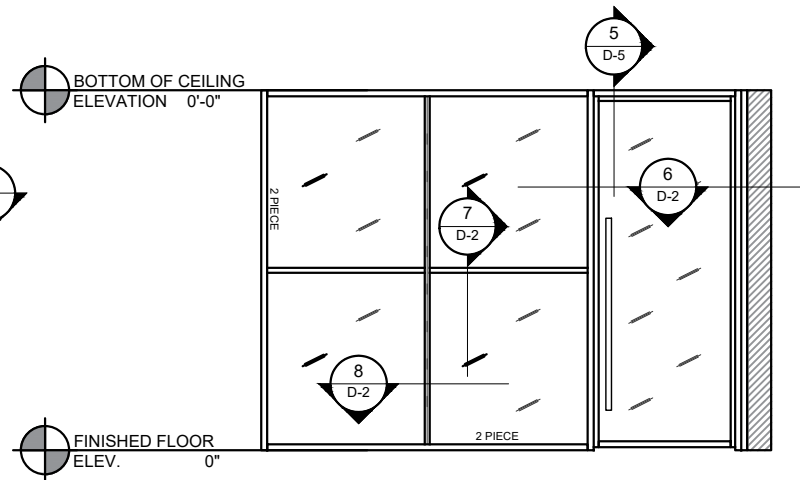
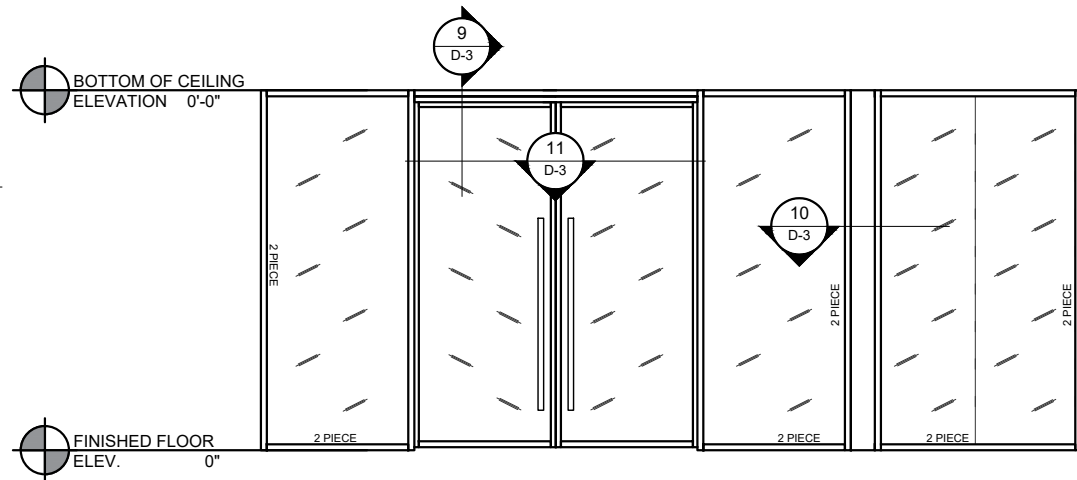


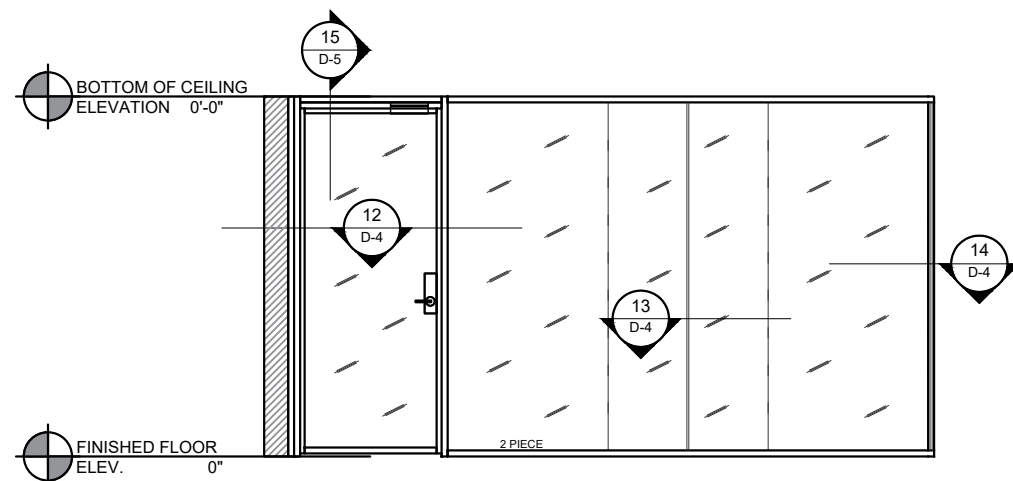
1 Z1 - FIXED GLASS SYSTEM
EXAMPLE



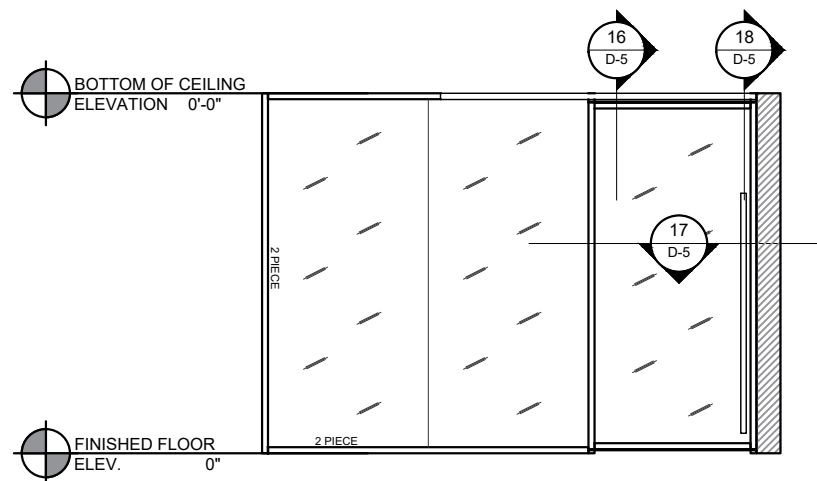
2 Z1 - VERTICAL & HORIZONTAL SASH
EXAMPLE
FREE SWING DOOR W/ LADDER PULL & STARTER



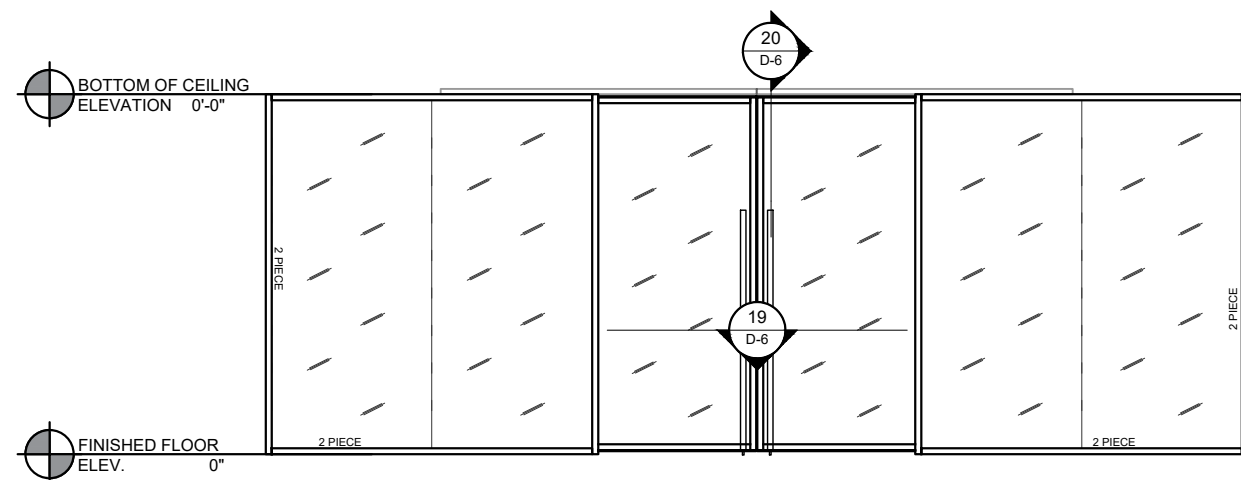
3 Z1 - DOUBLE DOORS WITH SURFACE MOUNT CLOSER
EXAMPLE
FLY-BY POST SHOWN



4 Z1 - DOOR W/ MAGNETIC LOCK AND LEVER PULL
EXAMPLE
GLASS T-CONNECTION AND MITER CORNER SHOWN



5 Z1 - SLIDING DOOR - DIRECT MOUNT / OUTSIDE OF ROOM
EXAMPLE



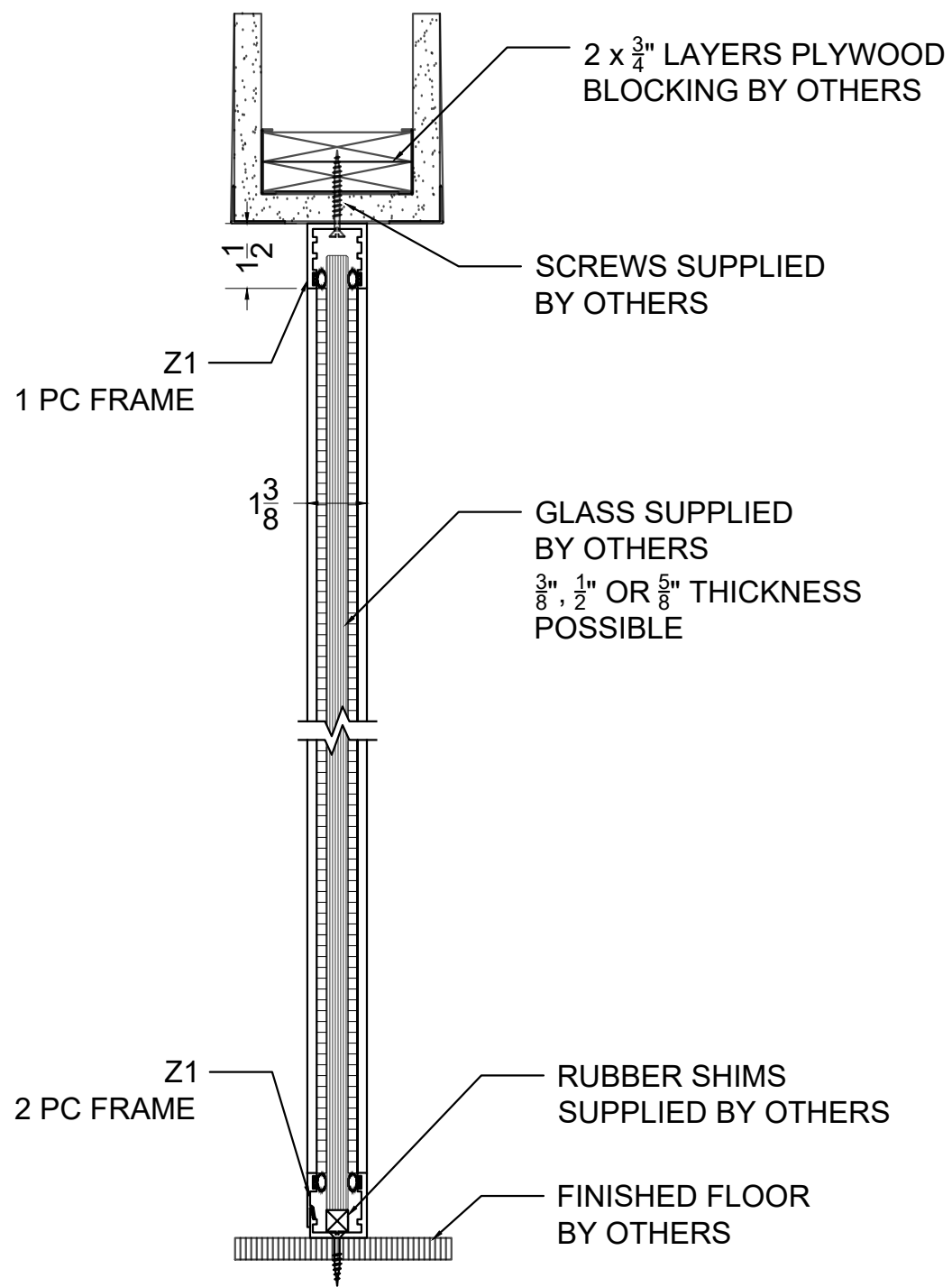
6 Z1 - SLIDING DOUBLE DOOR - RECESS MOUNT / INSIDE OF ROOM
EXAMPLE
W/ ADA LOCKING LADDER PULL

REV	DATE	DESCRIPTION
1	00/00/00	
2	00/00/00	
3	00/00/00	
4	00/00/00	
5	00/00/00	

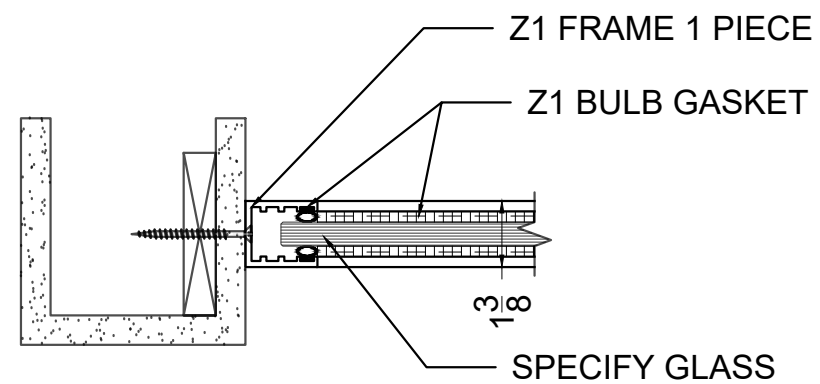
ZONA - Z1

DRAWING NAME
ELEVATION

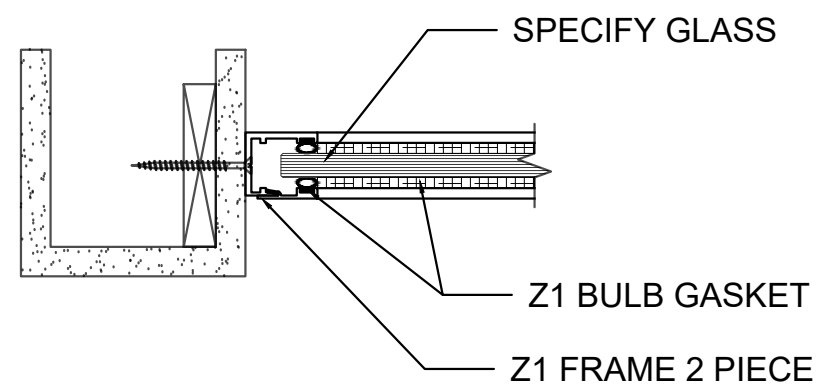
DATE 10/2/24	DRAWING # E-1
SCALE 1/4"=1'-0"	
DRAWN BY KAP	SHEET 1 OF 7



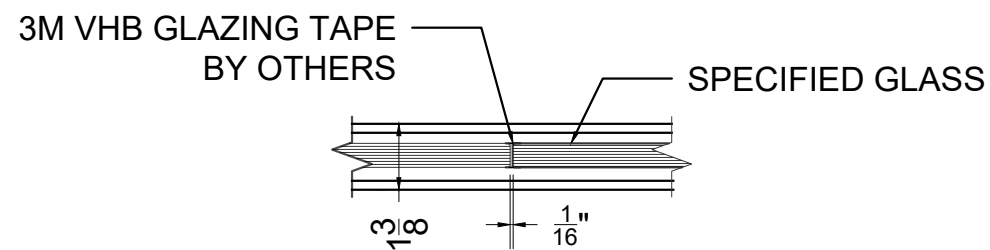
1 Z1 FIXED WALL
3" = 1'-0" VERTICAL SECTION



2 Z1 FIXED GLASS - 1 PIECE EXTRUSION
3" = 1'-0" HORIZONTAL SECTION



3 Z1 FIXED GLASS - 2 PIECE EXTRUSION
3" = 1'-0" HORIZONTAL SECTION



4 Z1 SINGLE GLAZE - BUTT GLAZED
3" = 1' HORIZONTAL SECTION

ZONA - Z1
ELEVATION 1 DETAILS
FIXED GLASS SYSTEM

DRAWING NAME
DETAILS

DATE
10/2/24

SCALE
3" = 1'-0"

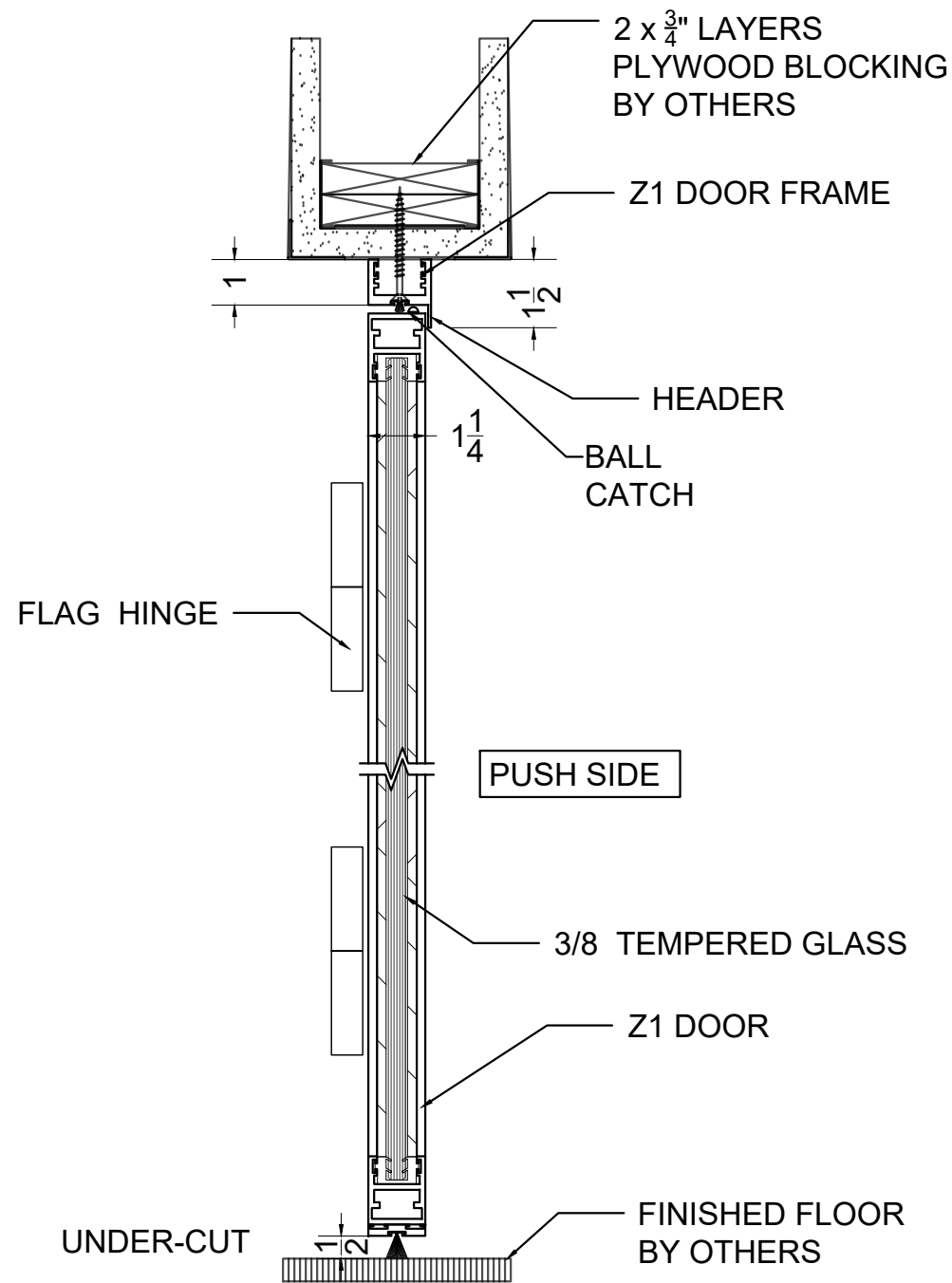
DRAWN BY
KAP

DRAWING #

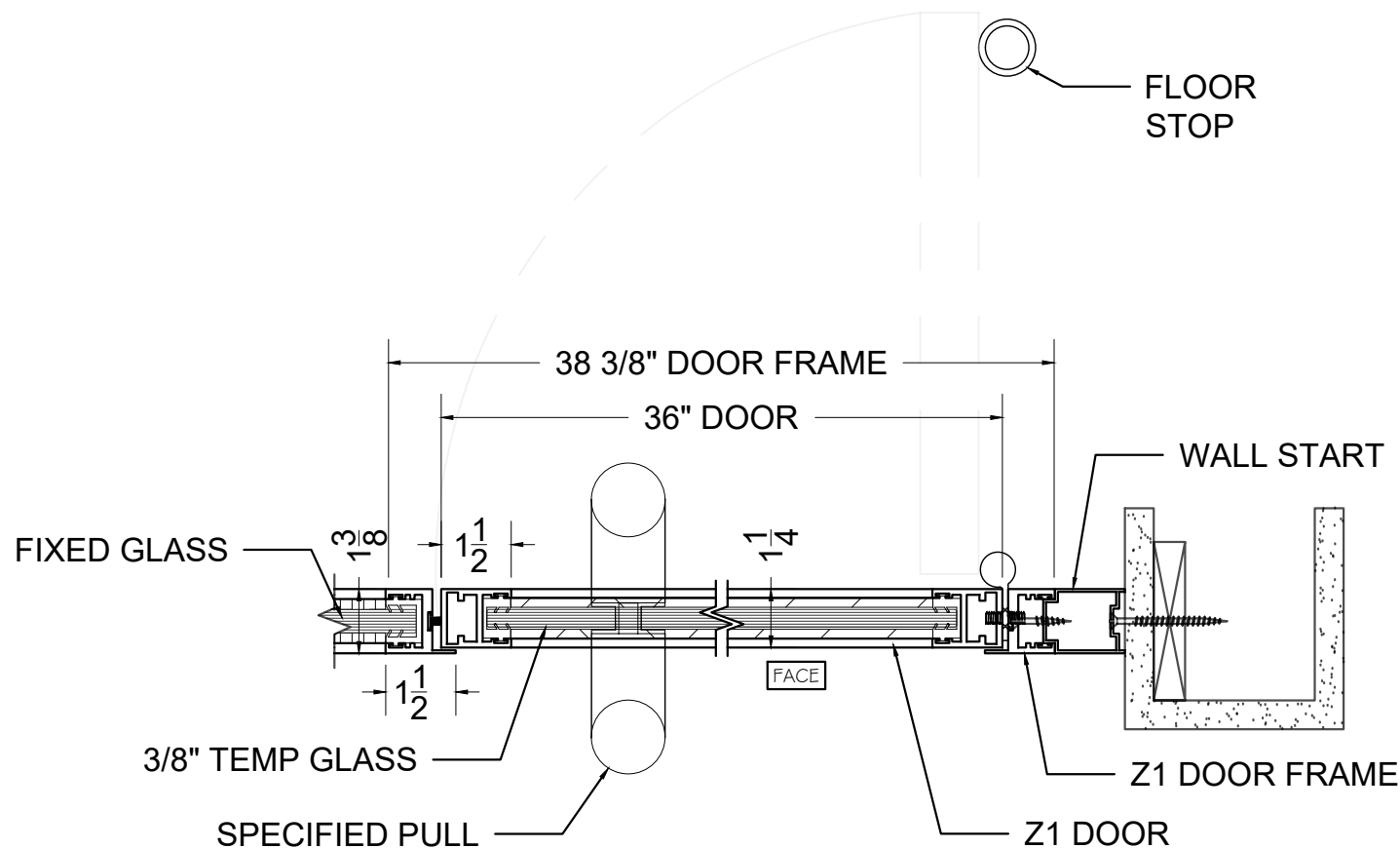
D-1

SHEET 2 OF 7

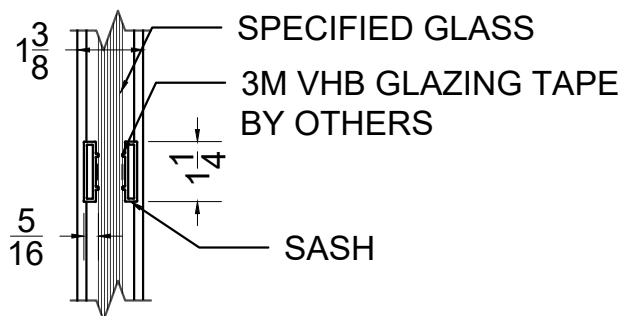
REV	DATE	DESCRIPTION
1	00/00/00	
2	00/00/00	
3	00/00/00	
4	00/00/00	
5	00/00/00	



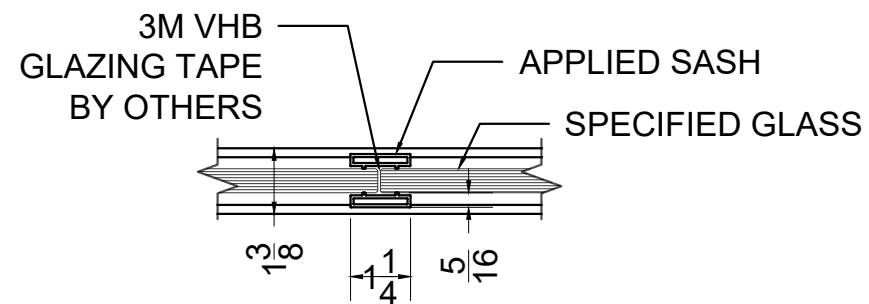
5 Z1 DOOR W / FLAG HINGE
3" = 1'
RH - VERTICAL SECTION



6 Z1 RH DOOR W / LADDER PULL - SINGLE GLAZE - FIXED GLASS TO WALL
3" = 1'
HORIZ. SECTION @ RH DOOR



7 Z1 SINGLE GLAZE - HORIZ. SASH
3" = 1'
VERTICAL SECTION



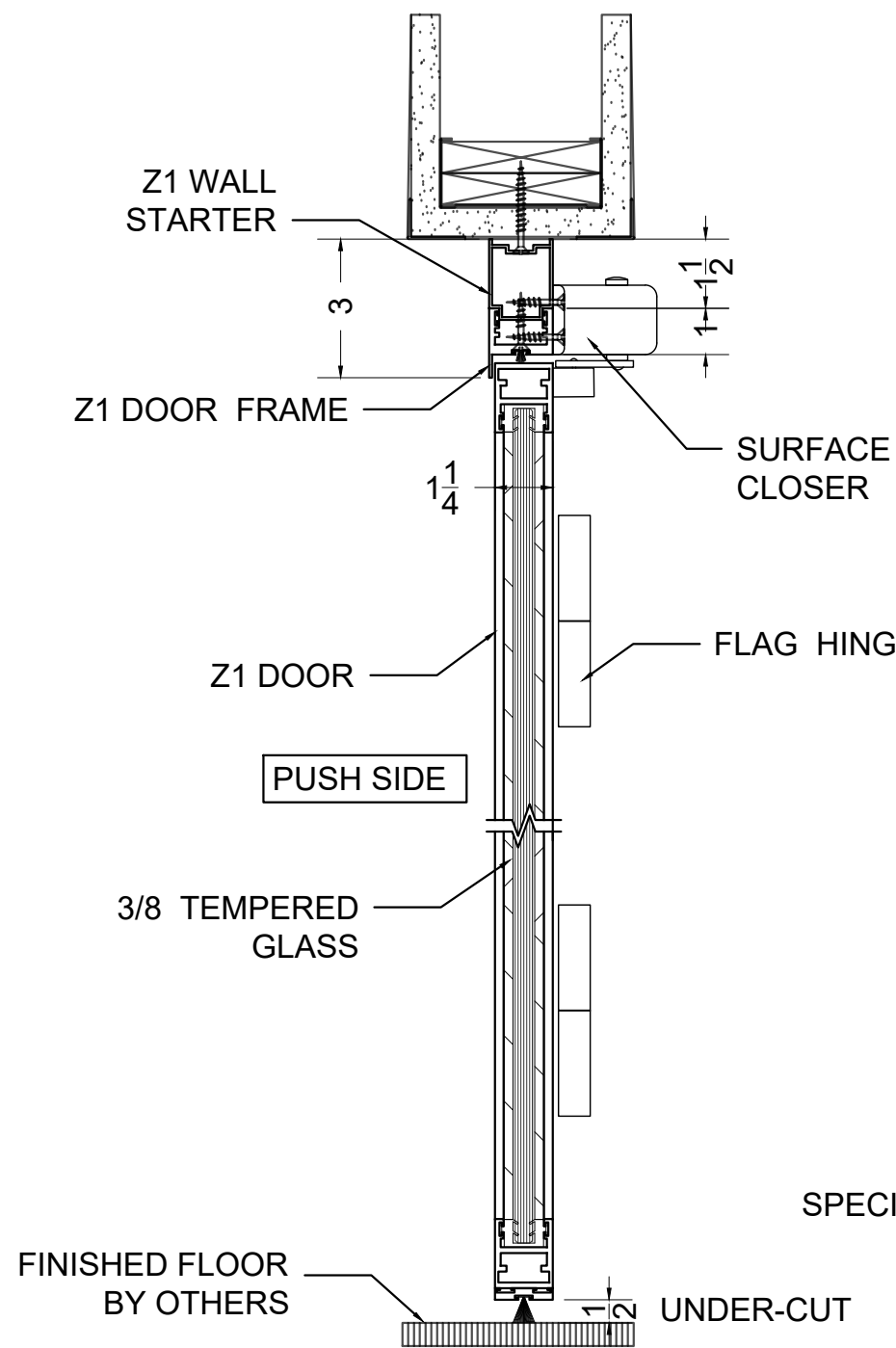
8 Z1 SINGLE GLAZE - VERTICAL SASH
3" = 1'
HORIZONTAL SECTION

REV	DATE	DESCRIPTION
1	00/00/00	
2	00/00/00	
3	00/00/00	
4	00/00/00	
5	00/00/00	

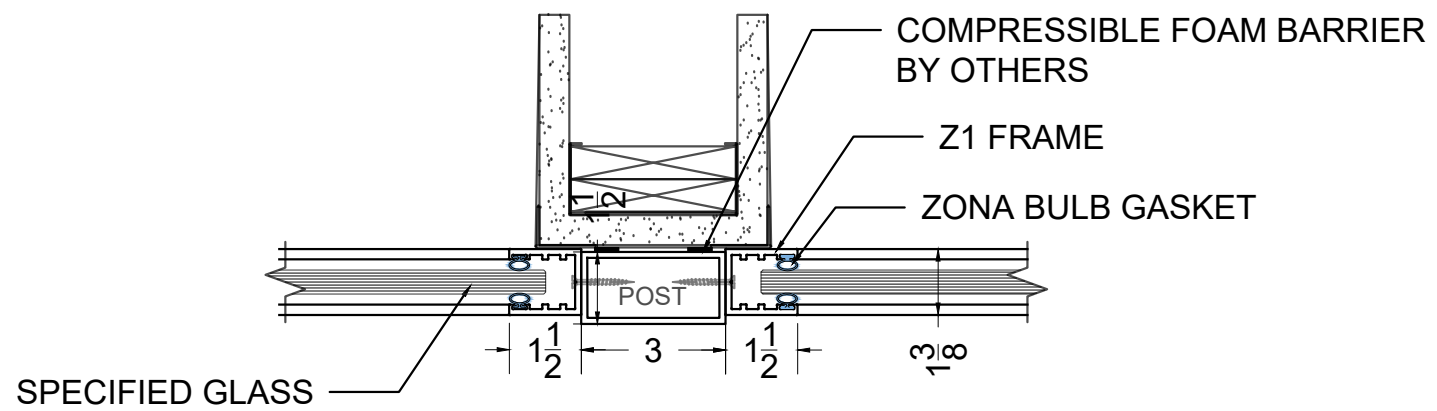
ZONA - Z1
ELEVATION 2 DETAILS
FREE SWING DOOR WITH LADDER PULL
VERTICAL AND HORIZONTAL SASH

DRAWING NAME
DETAILS

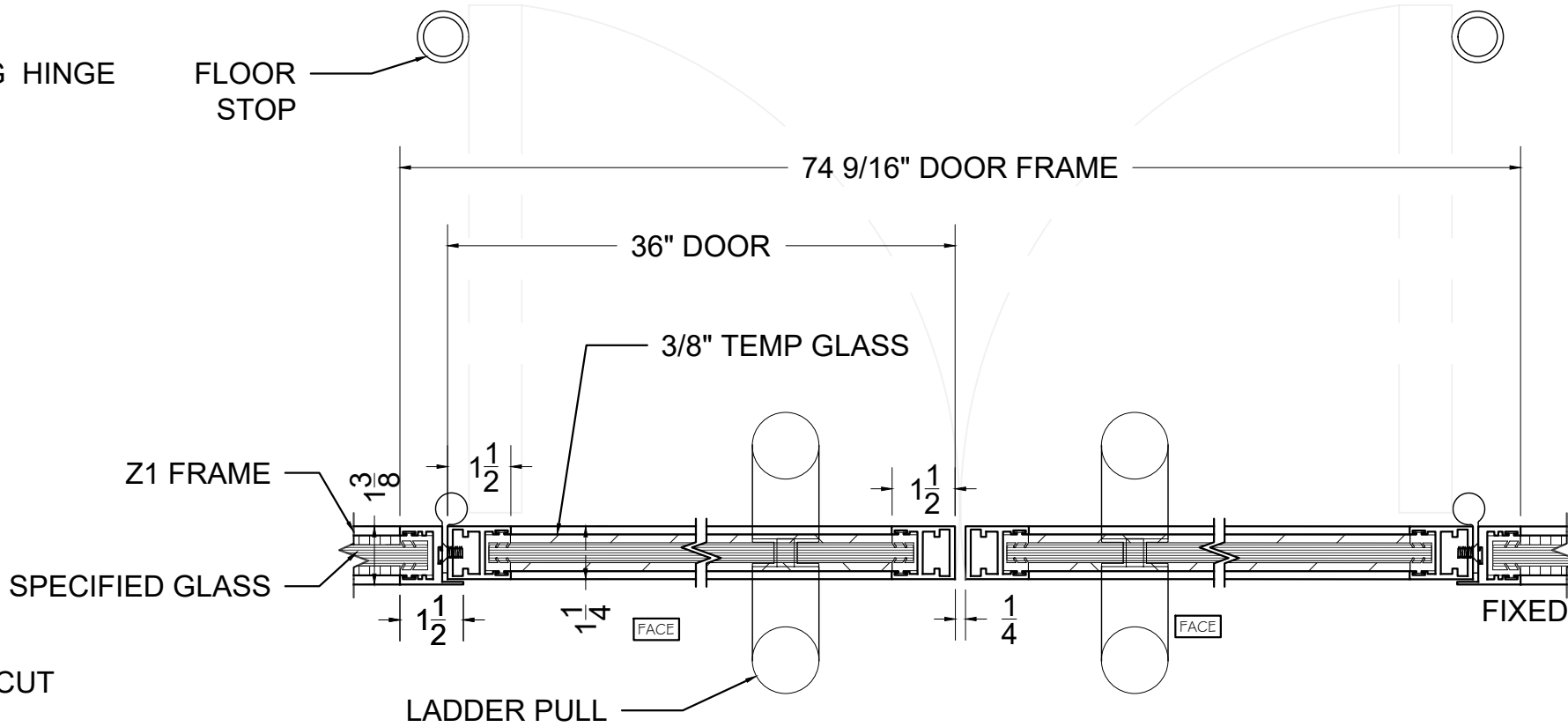
DATE 10/2/24	DRAWING # D-2
SCALE 3"=1'-0"	
DRAWN BY KAP	SHEET 3 OF 7



9 Z1 DOOR W SURFACE MOUNT CLOSER
3" = 1' LH - VERTICAL SECTION



10 Z1 SINGLE GLAZE - POST FLY BY DIVIDER WALL
3" = 1' HORIZONTAL SECTION @ DIVIDER WALL



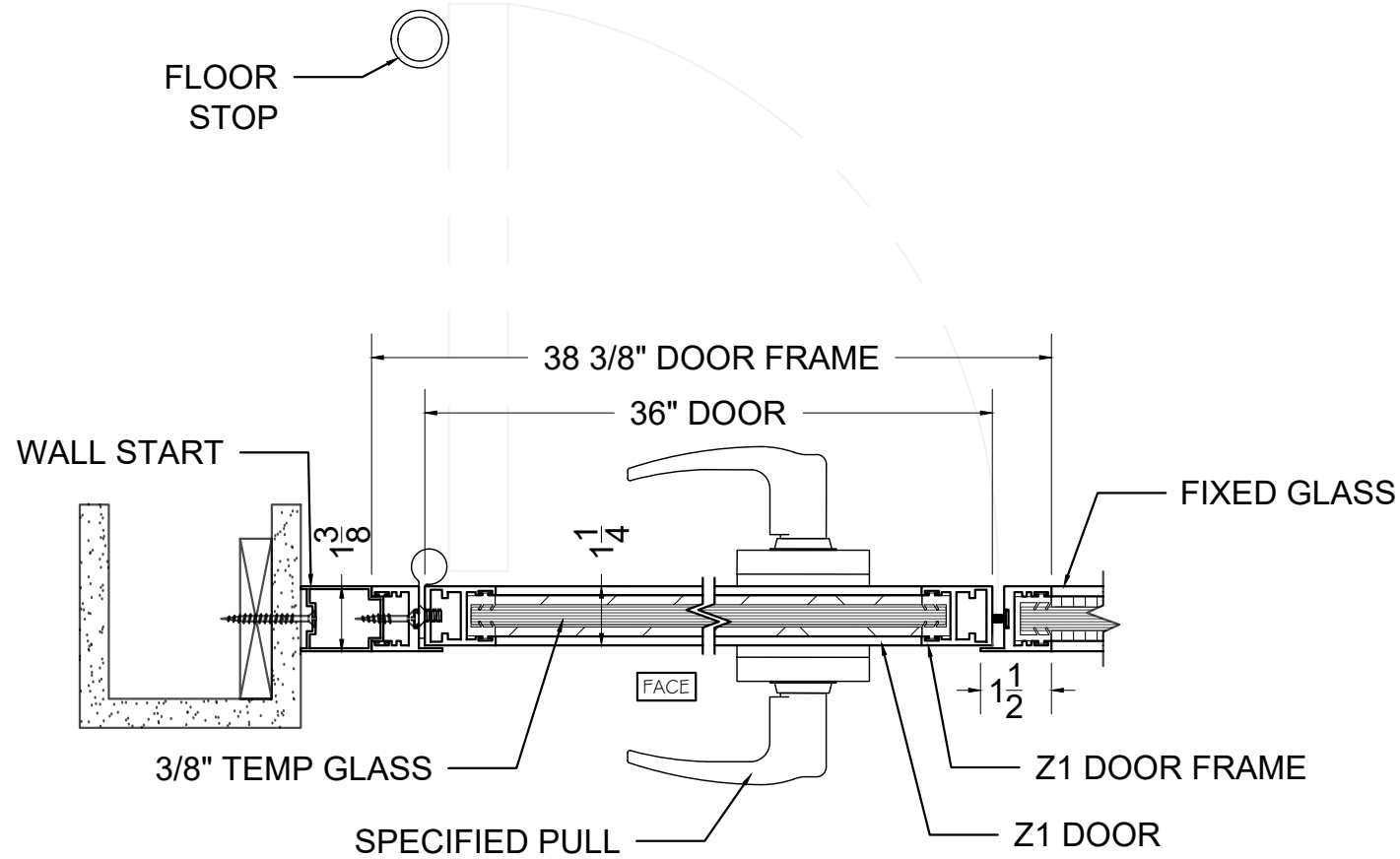
11 Z1 DOUBLE DOOR W / LADDER PULL - FIXED GLASS
3" = 1' - 0" HORIZONTAL SECTION @ DOOR

REV	DATE	DESCRIPTION
1	00/00/00	
2	00/00/00	
3	00/00/00	
4	00/00/00	
5	00/00/00	

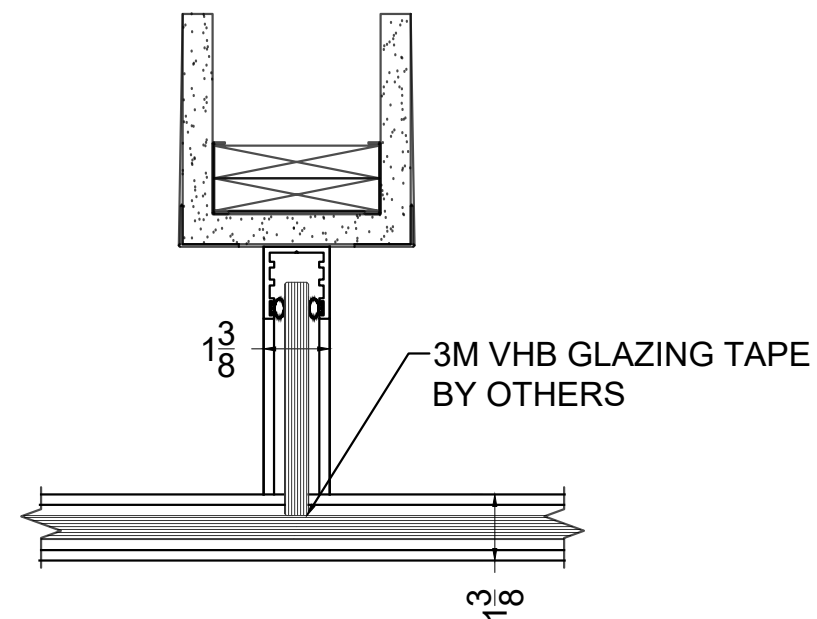
ZONA - Z1
ELEVATION 3 DETAILS
DOUBLE DOOR WITH SURFACE
MOUNT CLOSER AND FLY-BY CONDITION

DRAWING NAME
DETAILS

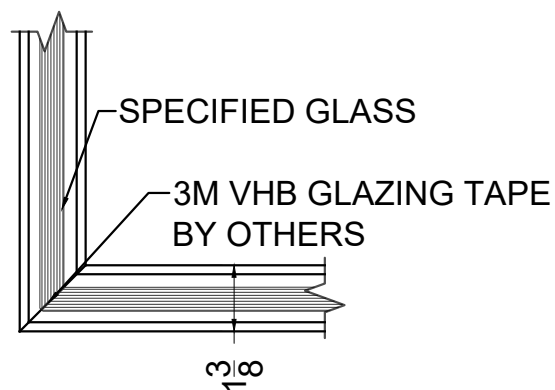
DATE 10/2/24	DRAWING # D-3
SCALE 3"=1'-0"	
DRAWN BY KAP	SHEET 4 OF 7



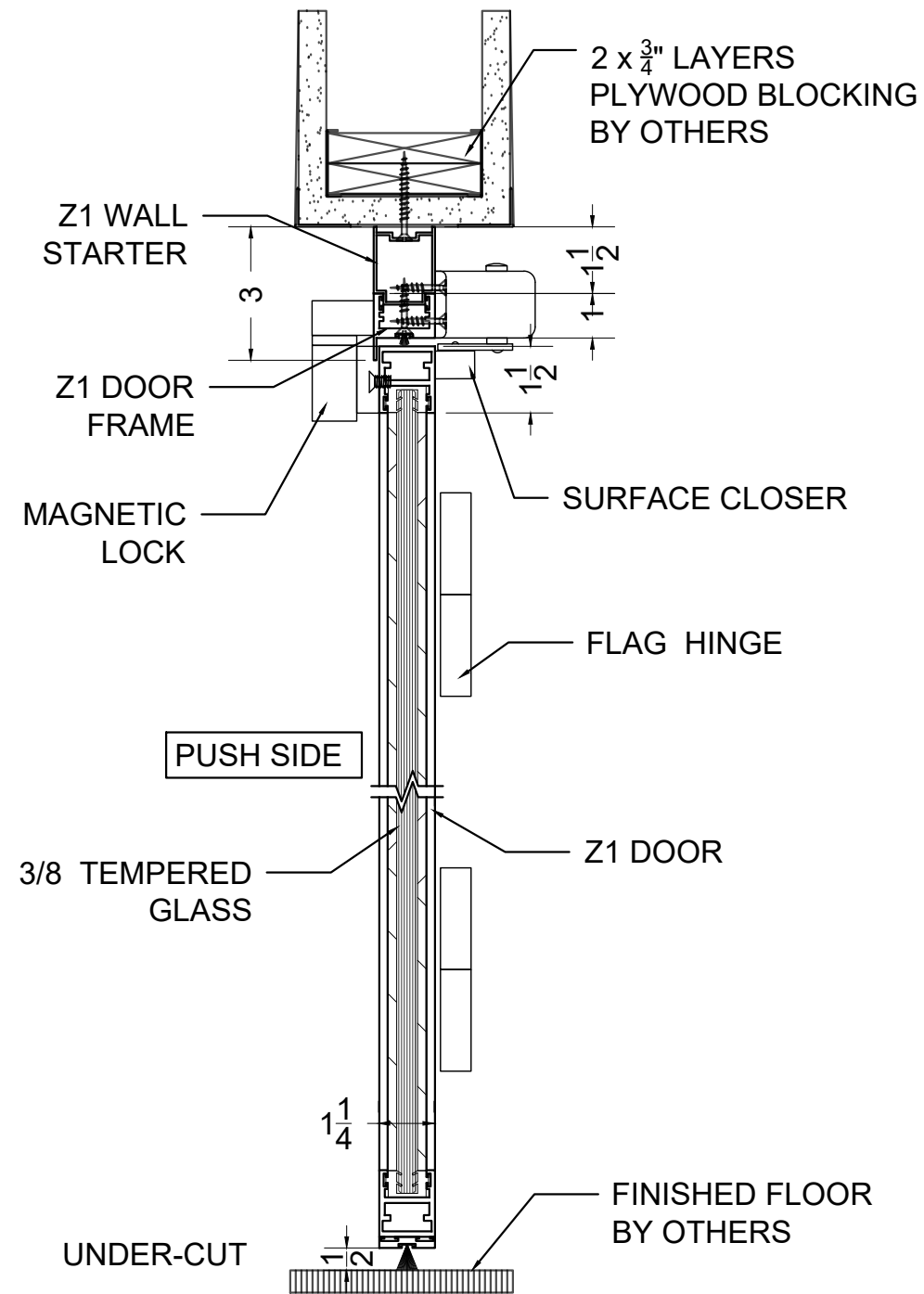
12 Z1 LH DOOR W / LADDER PULL - SINGLE GLAZE - WALL TO FIXED GLASS
3" = 1" HORIZ. SECTION @ LH DOOR



13 Z1 SINGLE GLAZE - "T" CONNECTION
3" = 1" HORIZONTAL SECTION



14 Z1 SINGLE GLAZE - CORNER MITER
3" = 1" HORIZONTAL SECTION



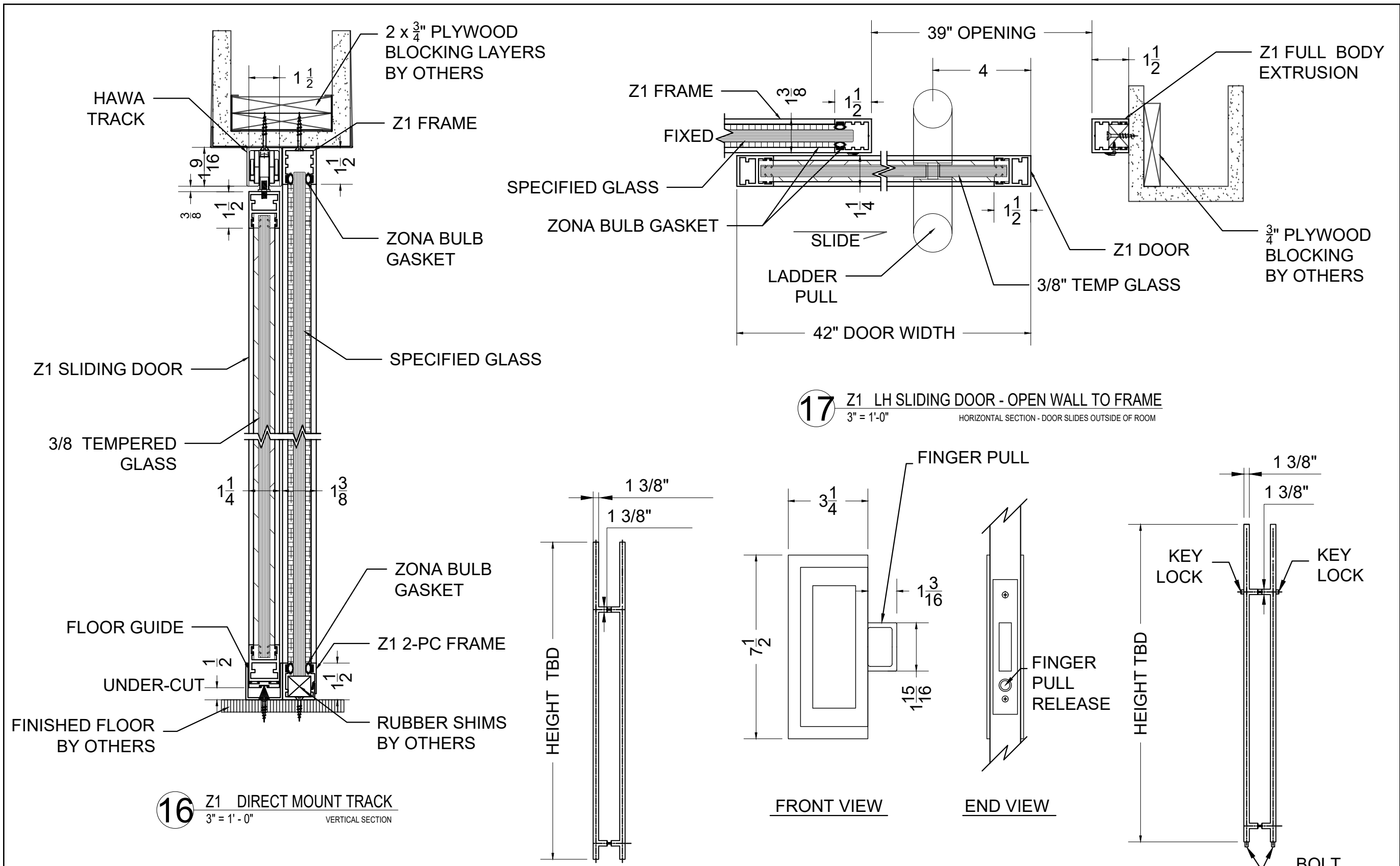
15 Z1 DOOR W SURFACE MOUNT CLOSER & MAG LOCK
3" = 1" LH - VERTICAL SECTION

REV	DATE	DESCRIPTION
1	00/00/00	
2	00/00/00	
3	00/00/00	
4	00/00/00	
5	00/00/00	

ZONA - Z1
ELEVATION 4 DETAILS
DOOR WITH MAG LOCK & LEVER HANDLE
T-CONNECTION & CORNER CONDITION

DRAWING NAME
DETAILS

DATE 10/2/24	DRAWING # D-4
SCALE 3"=1'-0"	
DRAWN BY KAP	SHEET 5 OF 7

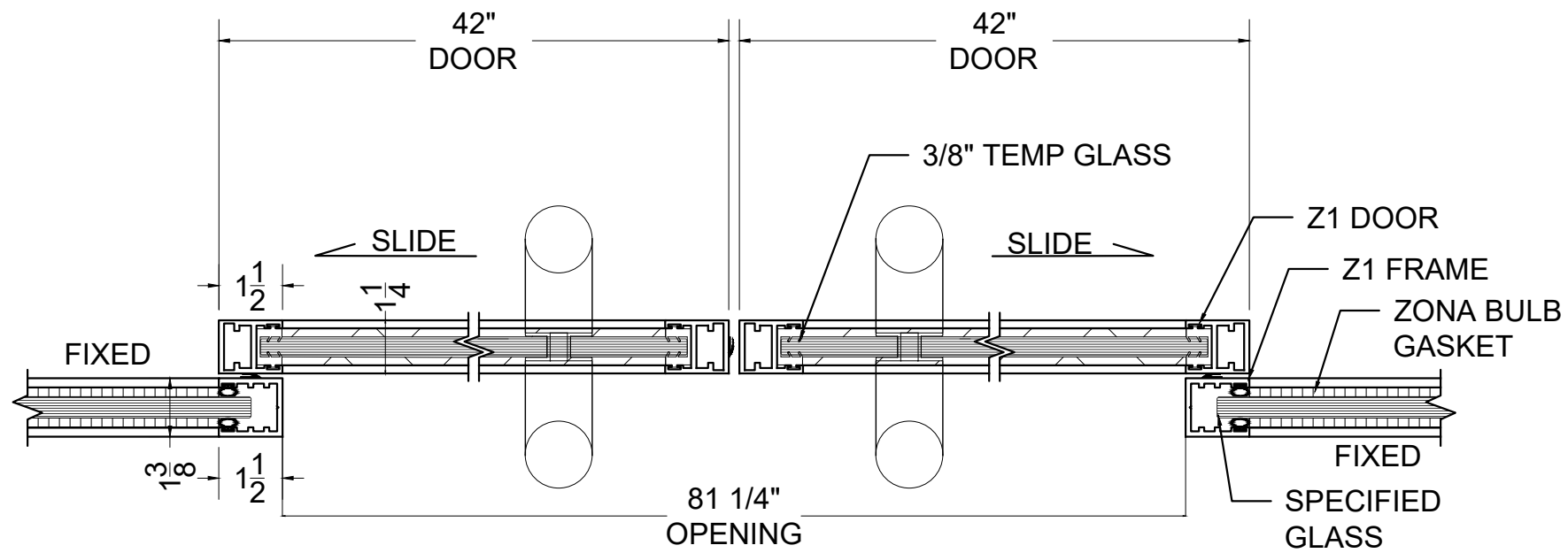


REV	DATE	DESCRIPTION
1	00/00/00	
2	00/00/00	
3	00/00/00	
4	00/00/00	
5	00/00/00	

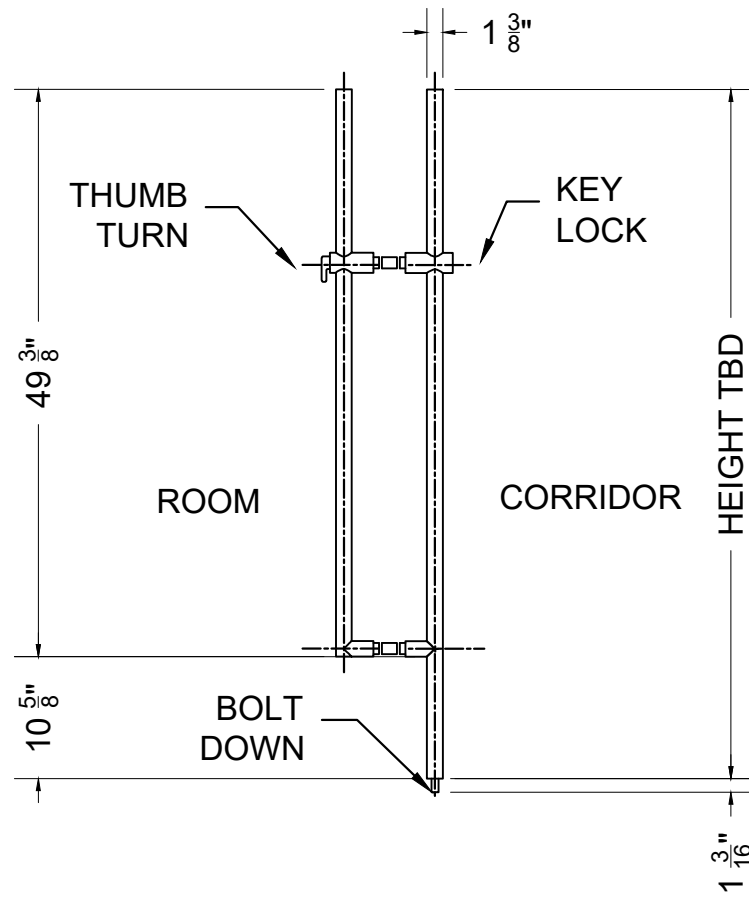
ZONA - Z1
ELEVATION 5 DETAILS
DIRECT MOUNT SLIDING DOOR
OUTSIDE OF ROOM

DRAWING NAME
DETAILS

DATE 10/2/24	DRAWING # D-5
SCALE NTS	
DRAWN BY KAP	SHEET 6 OF 7



19 Z1 SLIDING DOUBLE DOOR W / LADDER PULL - FIXED GLASS
 3' = 1'-0" HORIZONTAL SECTION @ DOORS



20 ZONA ADA LOCKING LADDER PULL
 N.T.S. BY T-CONCEPTS

ZONA
 GLASS WALL SYSTEMS

REV	DATE	DESCRIPTION
1	00/00/00	
2	00/00/00	
3	00/00/00	
4	00/00/00	
5	00/00/00	

ZONA - Z1
 ELEVATION 6 DETAILS
 RECESS MOUNT SLIDING DOUBLE DOOR
 INSIDE OF ROOM WITH ADA LADDER PULL

DRAWING NAME
DETAILS

DATE 10/2/24	DRAWING # D-6
SCALE NTS	
DRAWN BY KAP	SHEET 7 OF 7