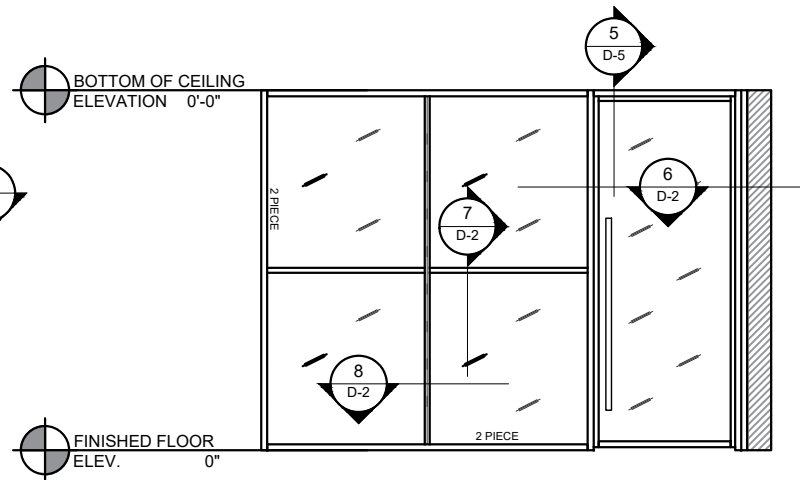
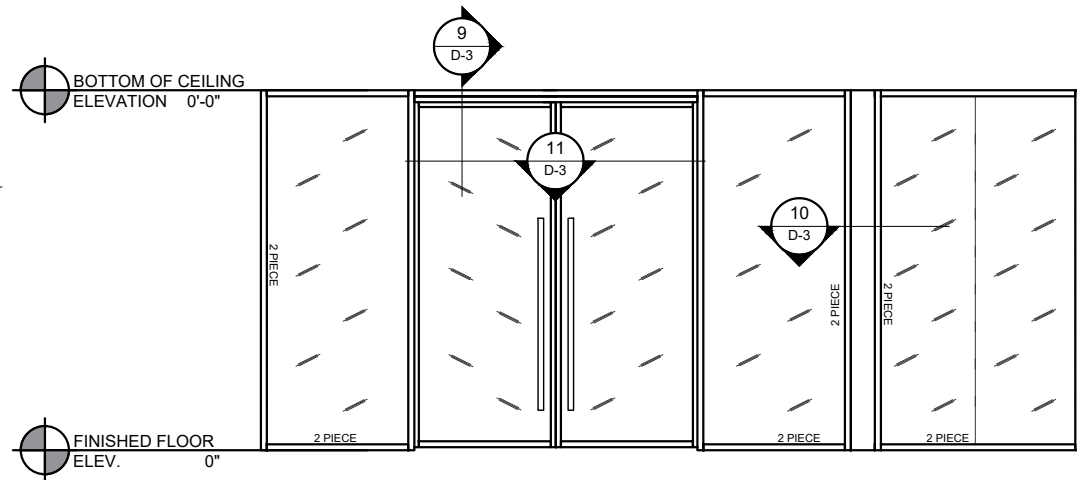


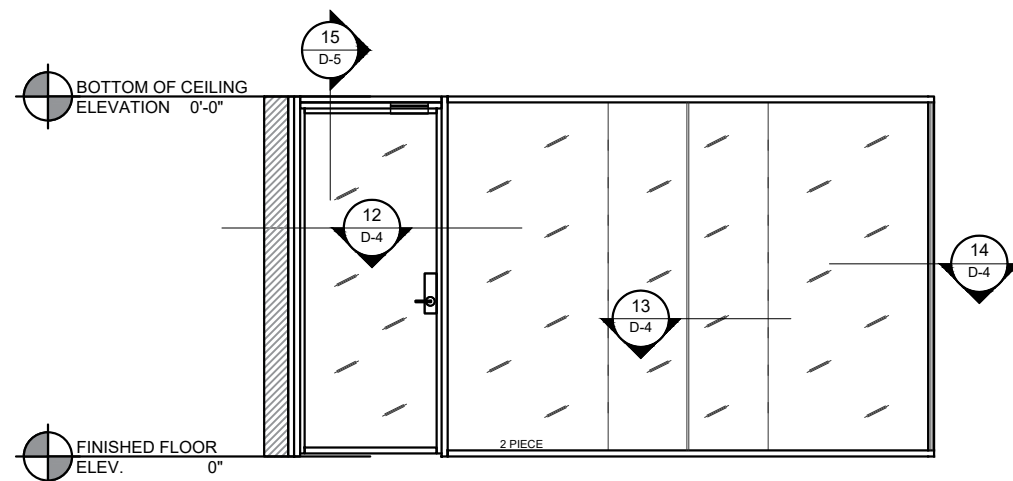
1 Z1+ - FIXED GLASS SYSTEM
EXAMPLE



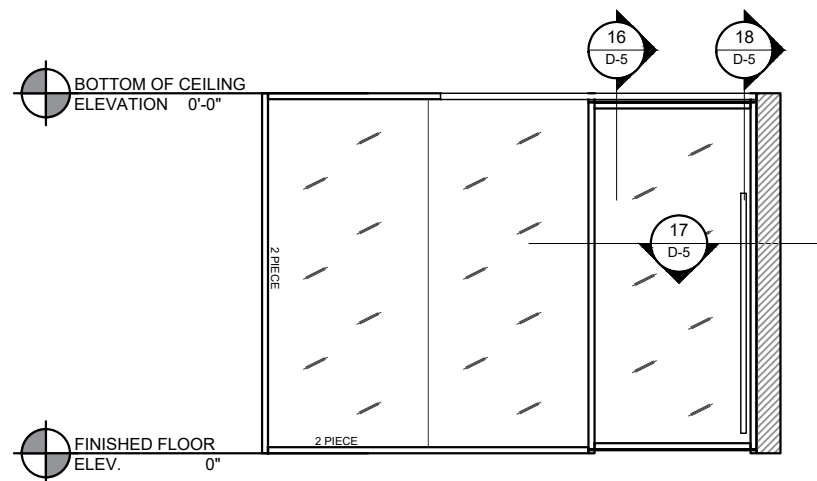
2 Z1+ - VERTICAL & HORIZONTAL SASH
EXAMPLE
FREE SWING DOOR W/ LADDER PULL & STARTER



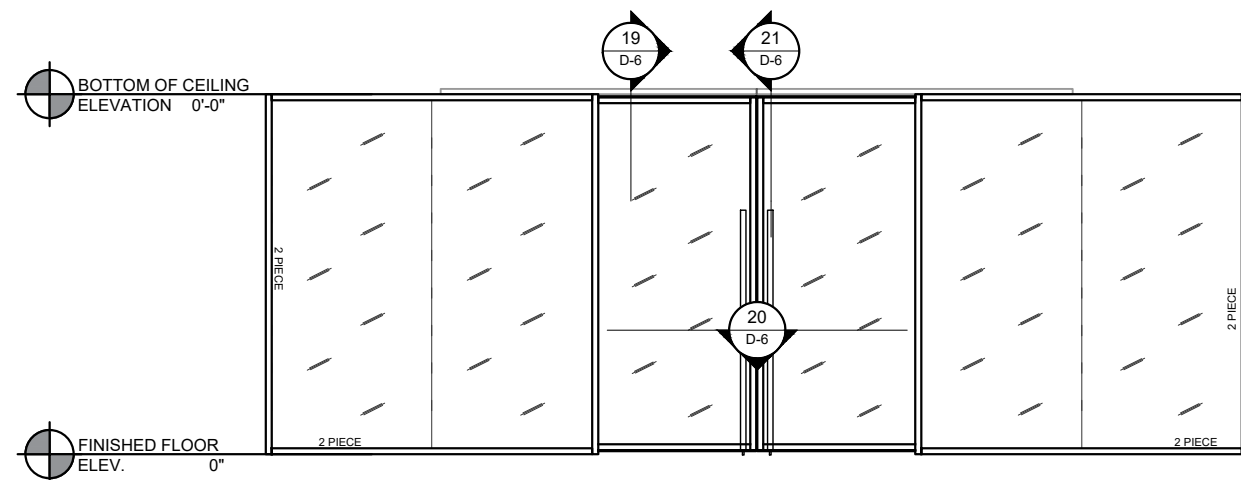
3 Z1+ - DOUBLE DOORS WITH CONCEALED CLOSER
EXAMPLE
FLY-BY POST SHOWN



4 Z1+ - DOOR W/ MAGNETIC LOCK AND CONCEALED CLOSER
EXAMPLE
GLASS T-CONNECTION AND MITER CORNER SHOWN



5 Z1+ - SLIDING DOOR - DIRECT MOUNT / OUTSIDE OF ROOM
EXAMPLE



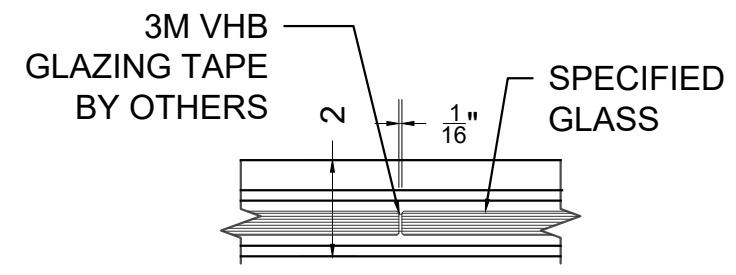
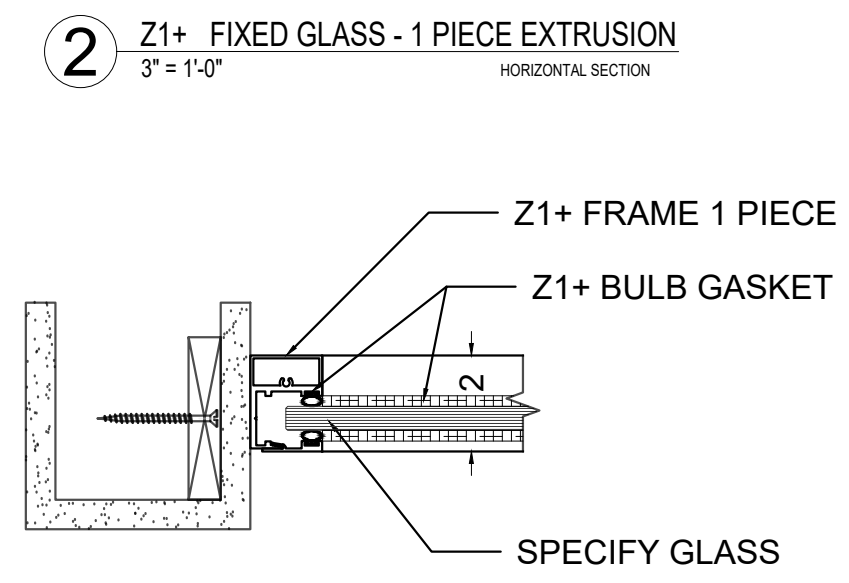
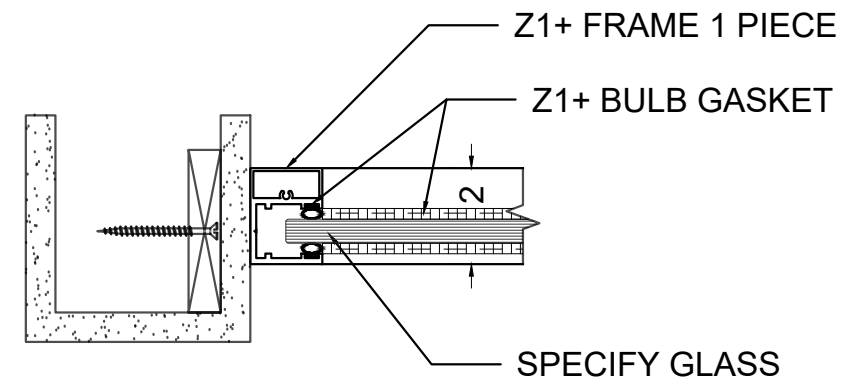
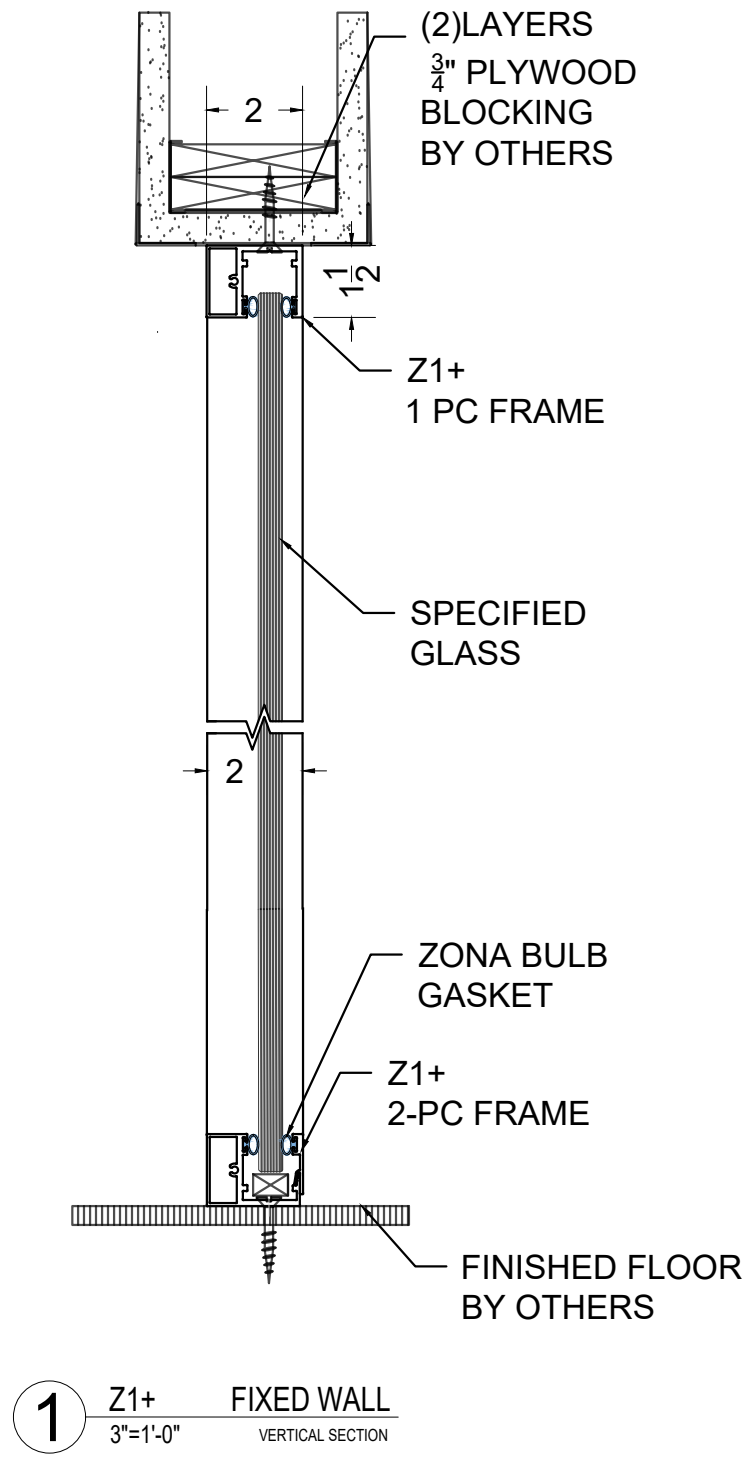
6 Z1+ - SLIDING DOUBLE DOOR - RECESS MOUNT / INSIDE OF ROOM
EXAMPLE
W/ ADA LOCKING LADDER PULL

REV	DATE	DESCRIPTION
1	00/00/00	
2	00/00/00	
3	00/00/00	
4	00/00/00	
5	00/00/00	

ZONA - Z1+

DRAWING NAME
ELEVATION

DATE 10/2/24	DRAWING # E-1
SCALE 1/4"=1'-0"	
DRAWN BY KAP	SHEET 1 OF 7

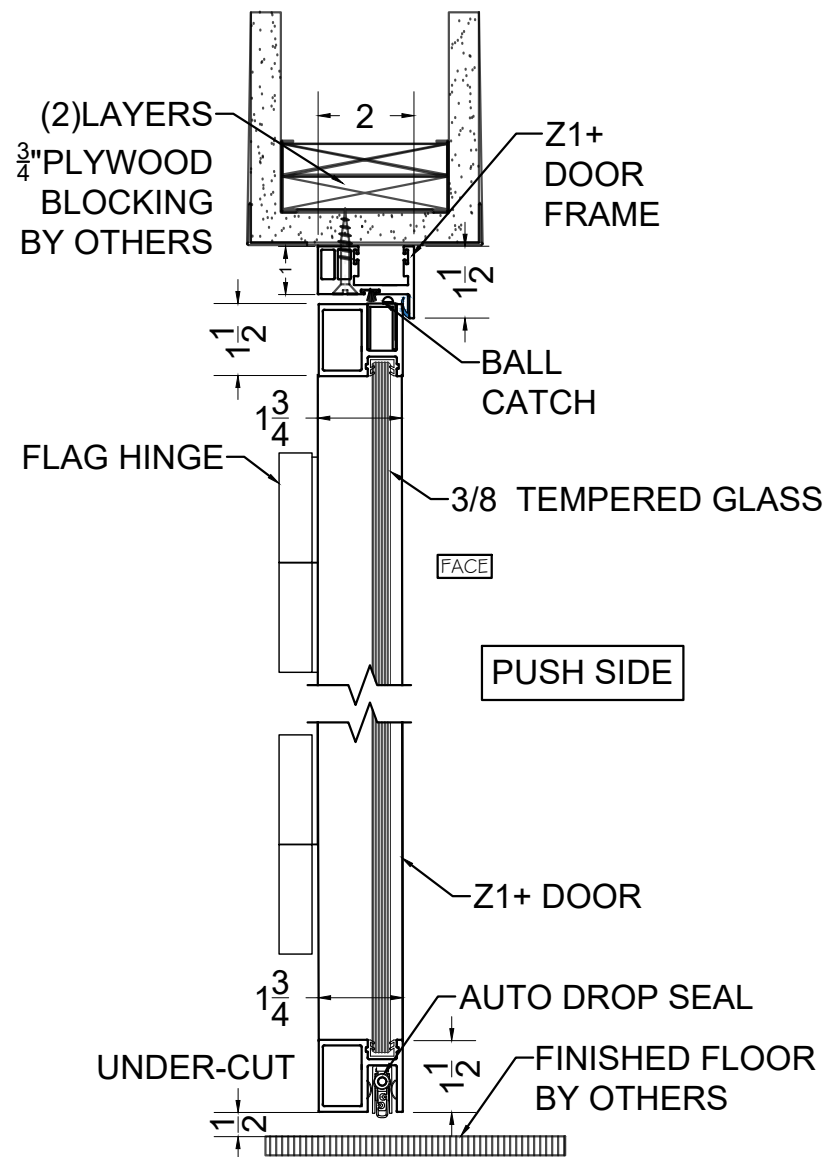


REV	DATE	DESCRIPTION
1	00/00/00	
2	00/00/00	
3	00/00/00	
4	00/00/00	
5	00/00/00	

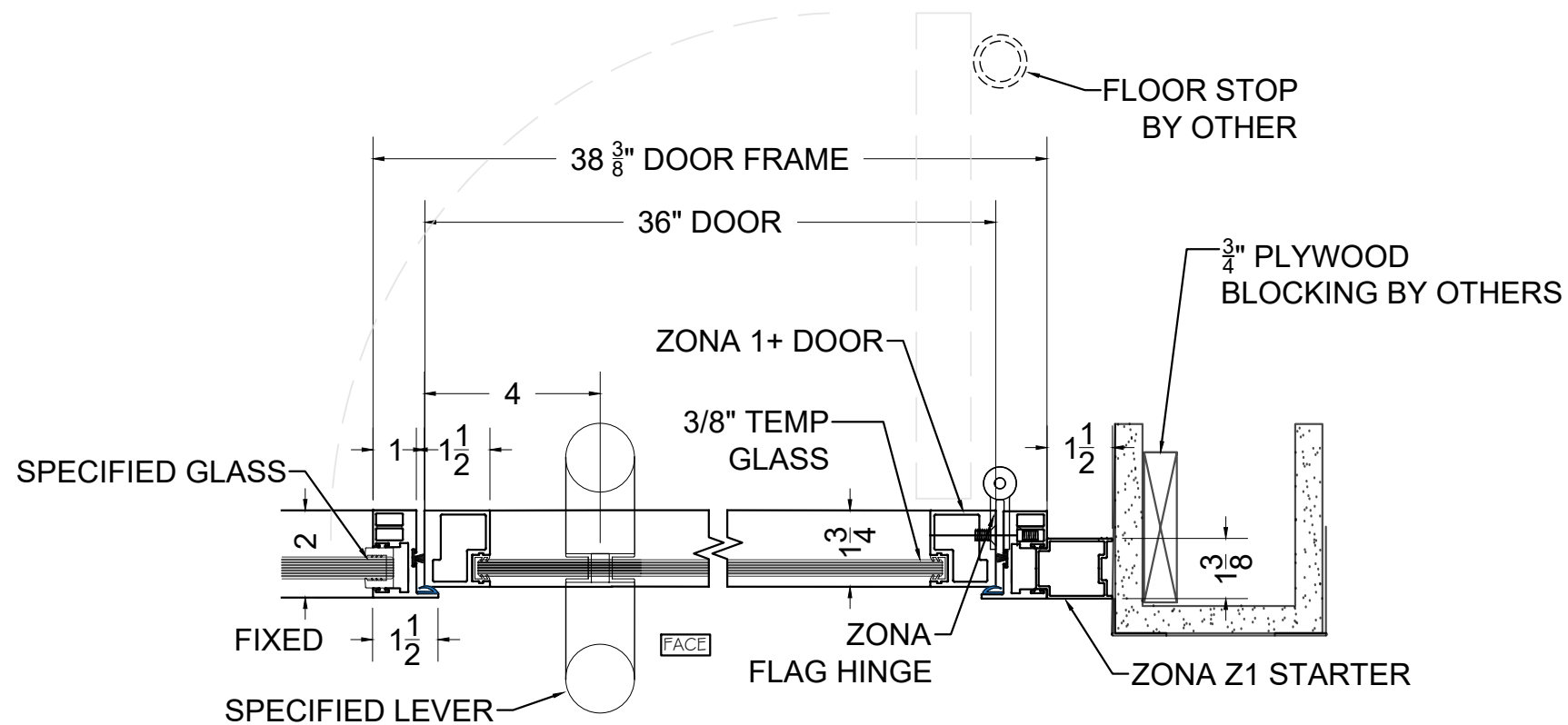
ZONA - Z1+
ELEVATION 1 DETAILS
FIXED GLASS SYSTEM

DRAWING NAME
DETAILS

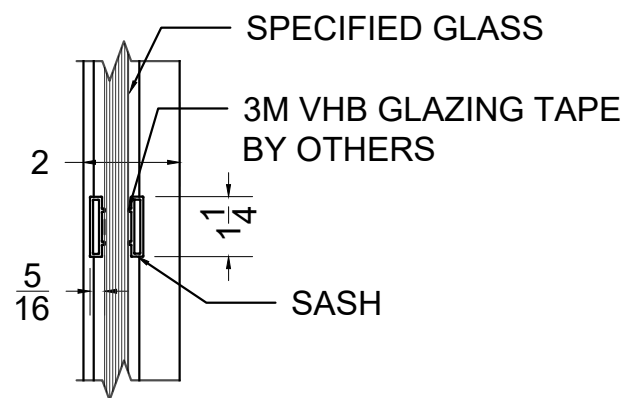
DATE 10/2/24	DRAWING # D-1
SCALE 3" = 1'-0"	
DRAWN BY KAP	SHEET 2 OF 7



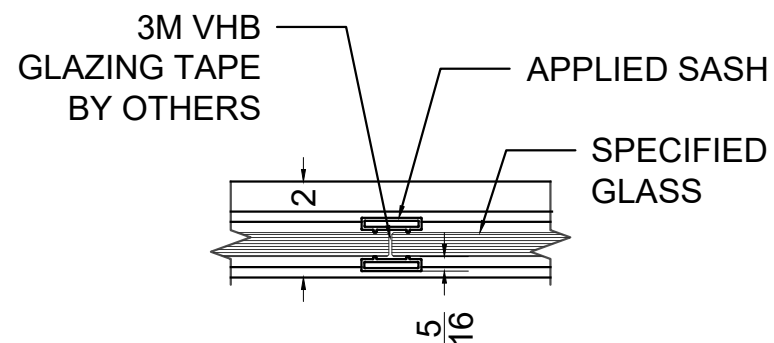
5 Z1+ DOOR - FREE SWING
3" = 1' VERTICAL SECTION



6 Z1+ RH DOOR W / LEVER PULL - DOOR @ PARTITION WALL
3" = 1'-0" HORIZ. SECTION



7 Z1+ SINGLE GLAZE - HORIZ. SASH
3" = 1' VERTICAL SECTION



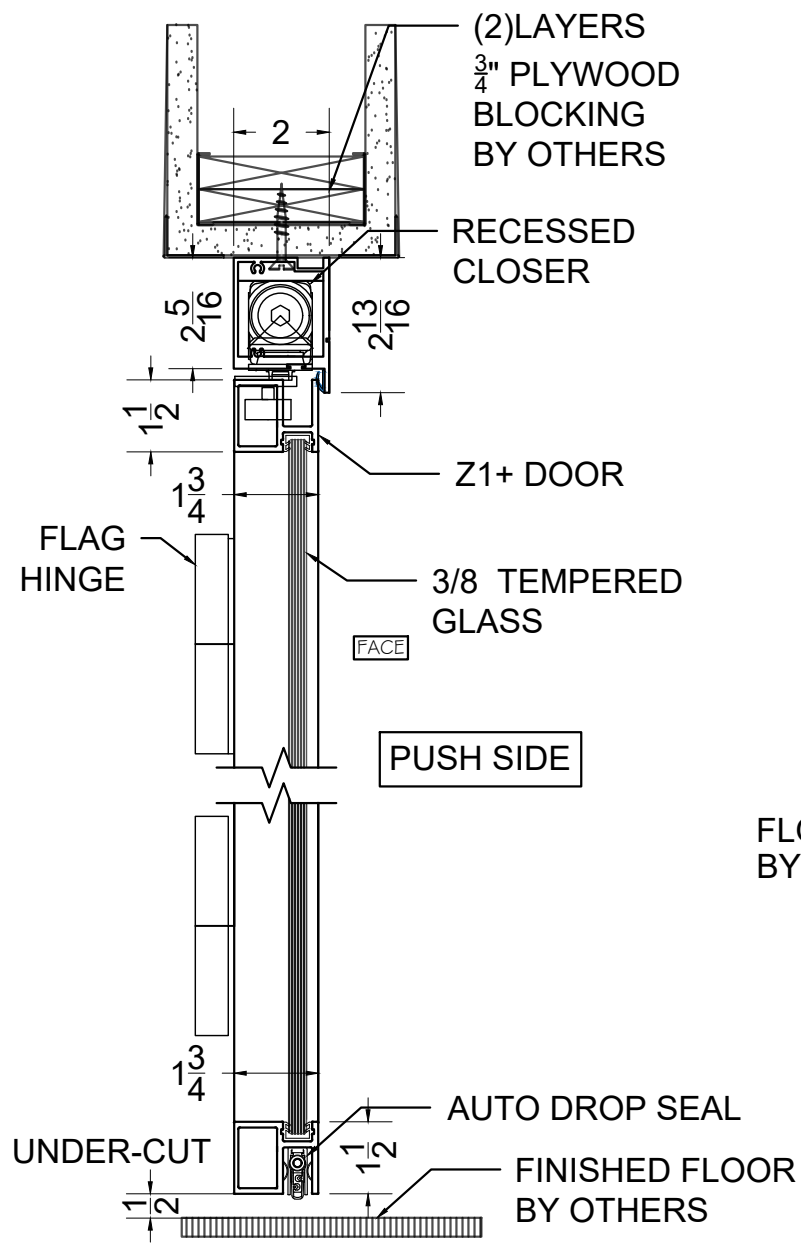
8 Z1+ SINGLE GLAZE - VERTICAL SASH
3" = 1' HORIZONTAL SECTION

REV	DATE	DESCRIPTION
1	00/00/00	
2	00/00/00	
3	00/00/00	
4	00/00/00	
5	00/00/00	

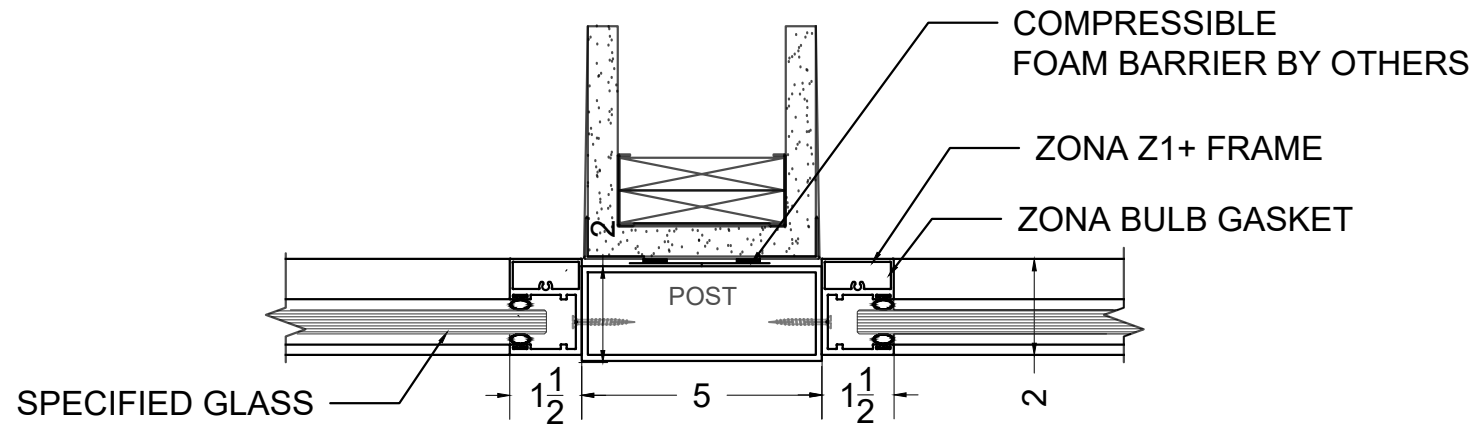
ZONA - Z1+
ELEVATION 2 DETAILS
FREE SWING DOOR WITH LADDER PULL
VERTICAL AND HORIZONTAL SASH

DRAWING NAME
DETAILS

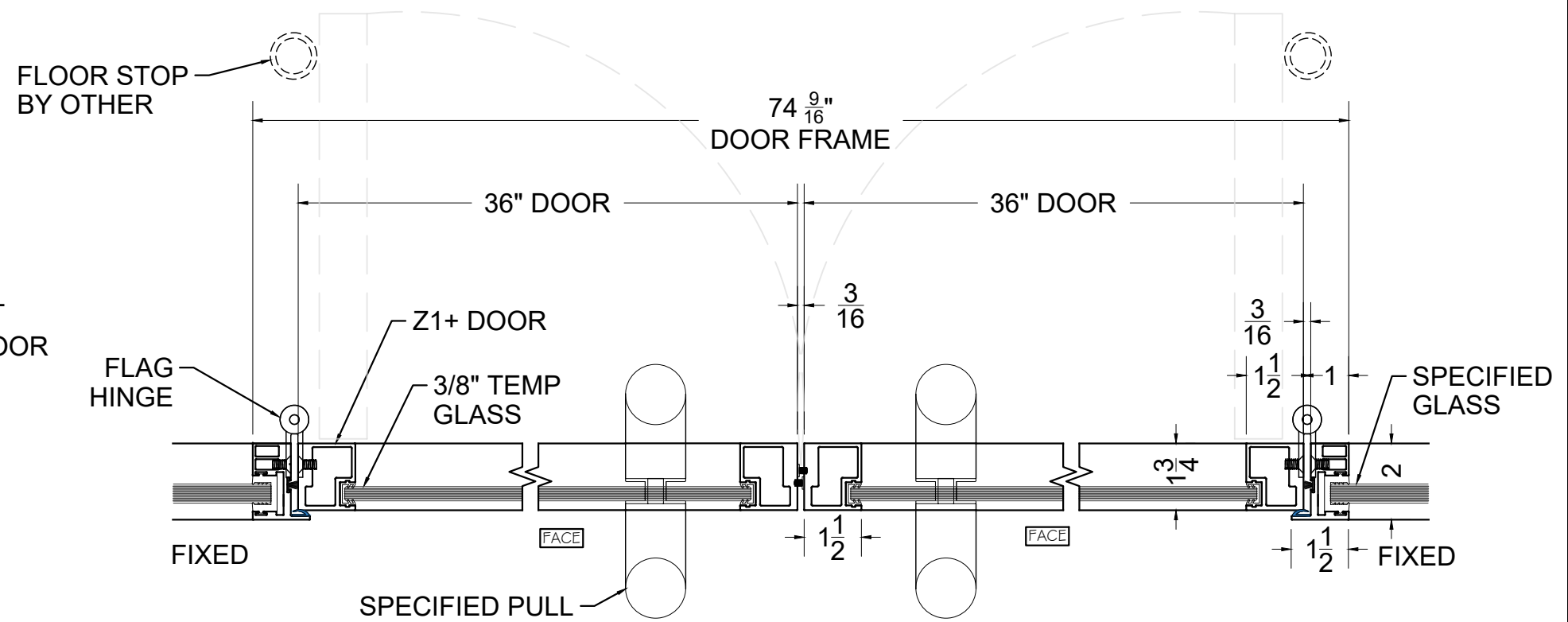
DATE 10/2/24	DRAWING # D-2
SCALE 3" = 1'-0"	
DRAWN BY KAP	SHEET 3 OF 7



9 Z1+ DOOR - CONCEALED DOOR CLOSER
3" = 1" VERTICAL SECTION



10 Z1+ POST FLY BY DIVIDER WALL
3" = 1" HORIZONTAL SECTION



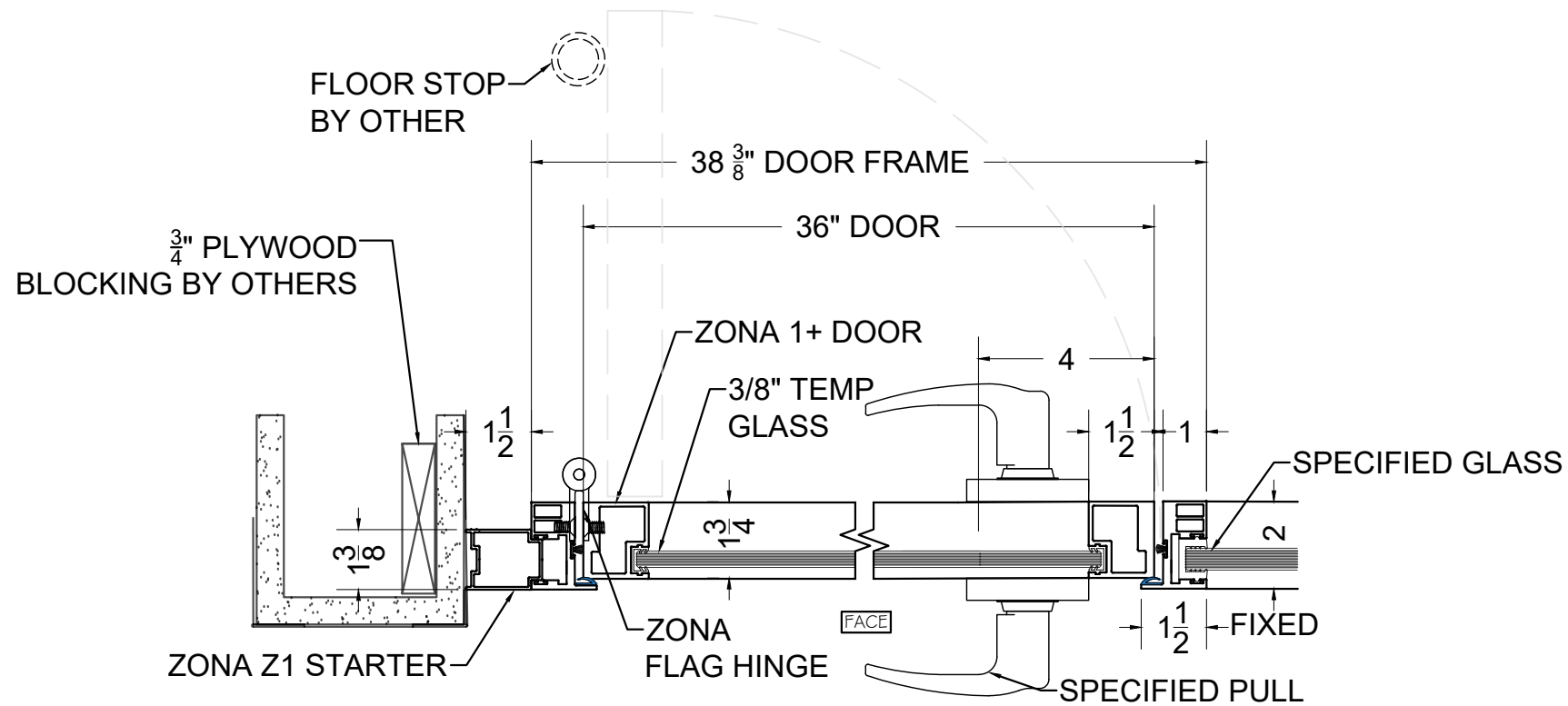
11 Z1+ DOUBLE DOORS W / LADDER PULL - SINGLE GLAZE FIXED PANELS
HORIZ. SECTION

REV	DATE	DESCRIPTION
1	00/00/00	
2	00/00/00	
3	00/00/00	
4	00/00/00	
5	00/00/00	

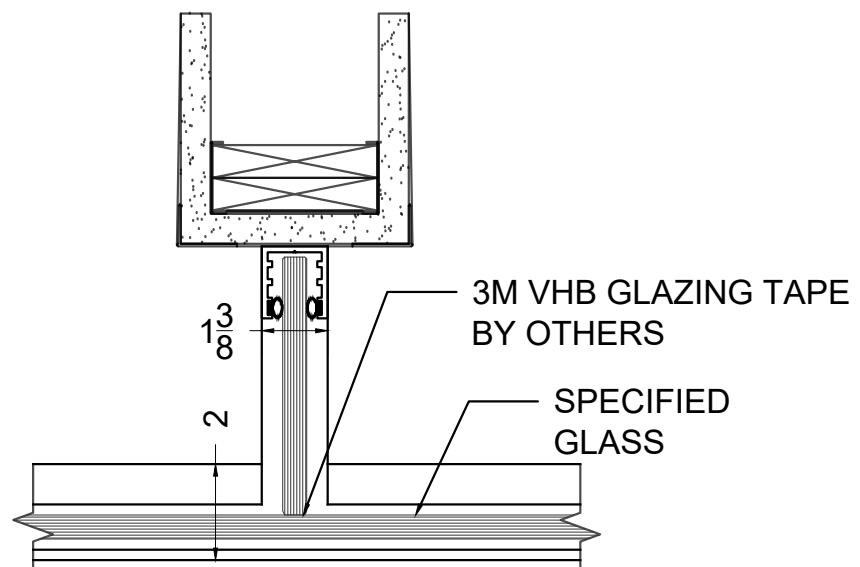
ZONA - Z1+
ELEVATION 3 DETAILS
DOUBLE DOOR WITH SURFACE
MOUNT CLOSER AND FLY-BY CONDITION

DRAWING NAME
DETAILS

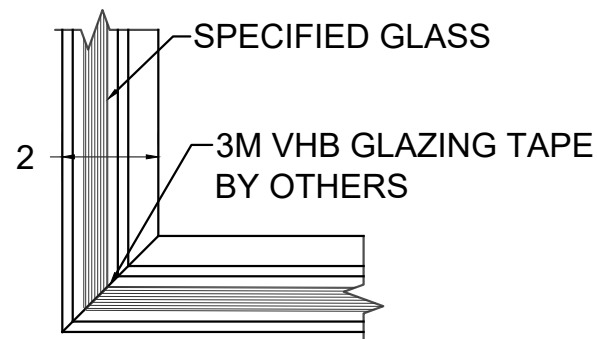
DATE 10/2/24	DRAWING # D-3
SCALE 3"=1'-0"	
DRAWN BY KAP	SHEET 4 OF 7



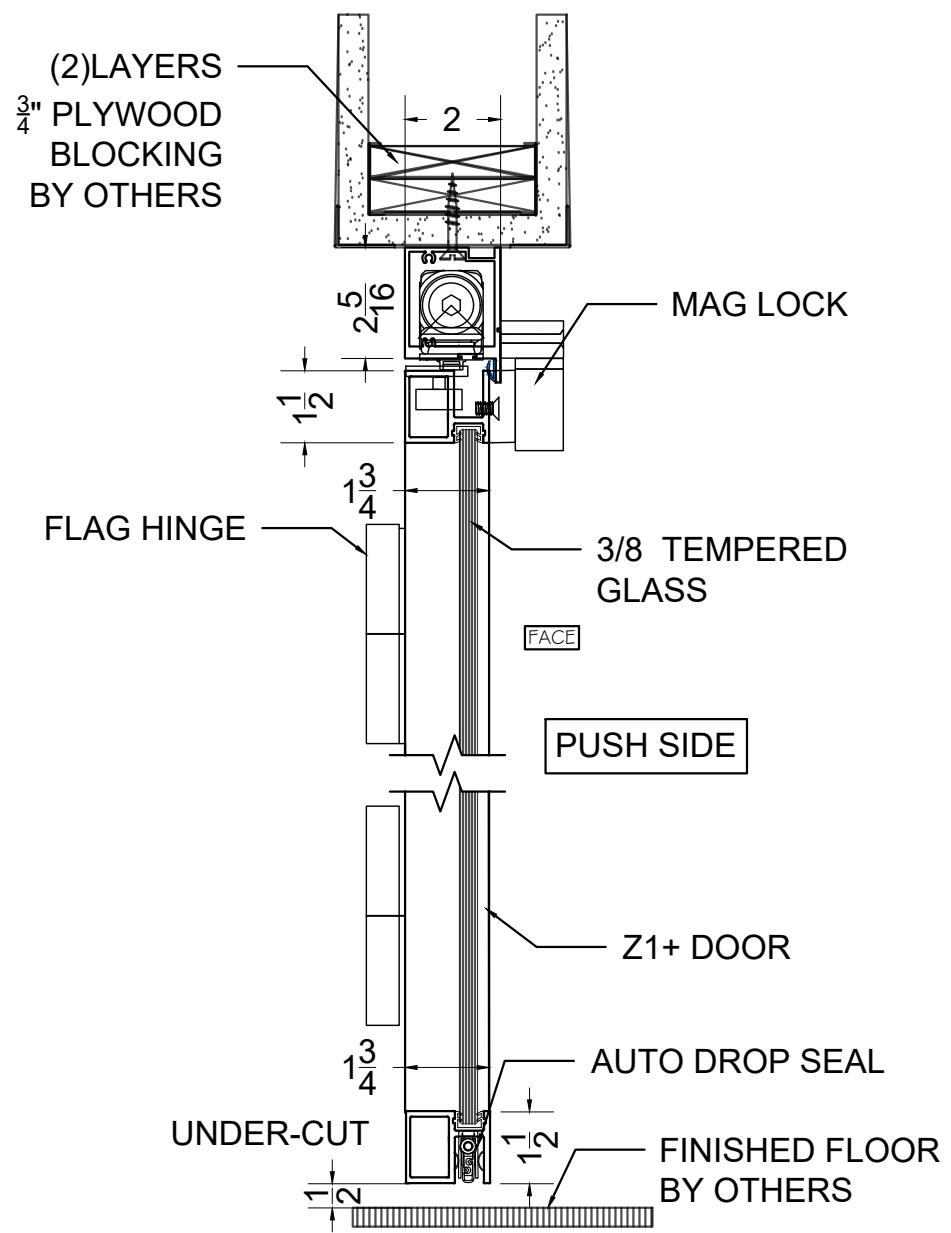
12 Z1+ LH DOOR W / LEVER PULL - DOOR @ PARTITION WALL
3"=1'-0" HORIZ SECTION



13 Z1+ WITH Z1 "T" CONECTION
3" = 1" HORIZONTAL SECTION



14 Z1+ SINGLE GLAZE - CORNER MITER
3" = 1" HORIZONTAL SECTION

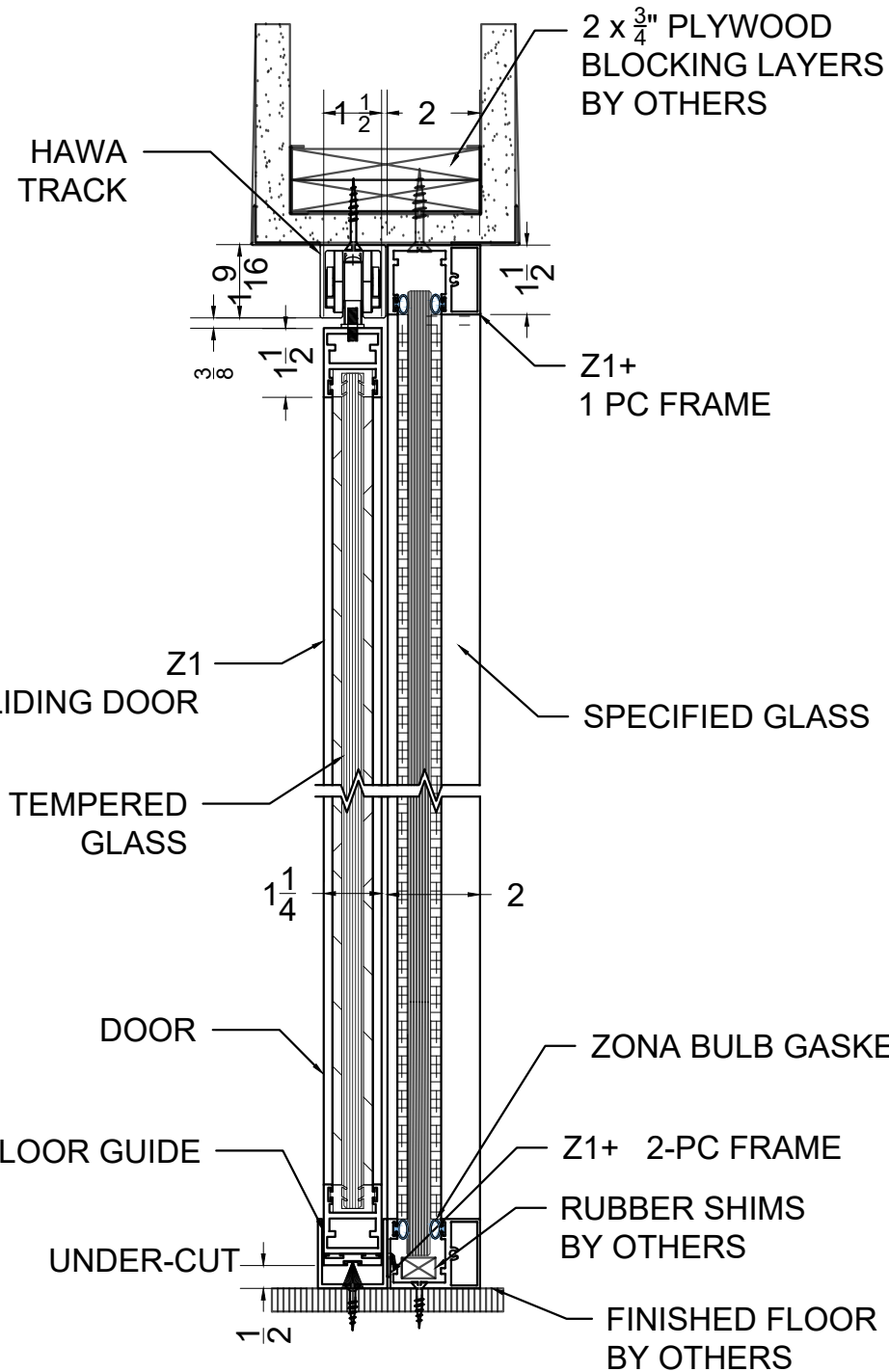


15 Z1+ DOOR - MAGNETIC LOCK
3" = 1" & CONCEALED DOOR CLOSER

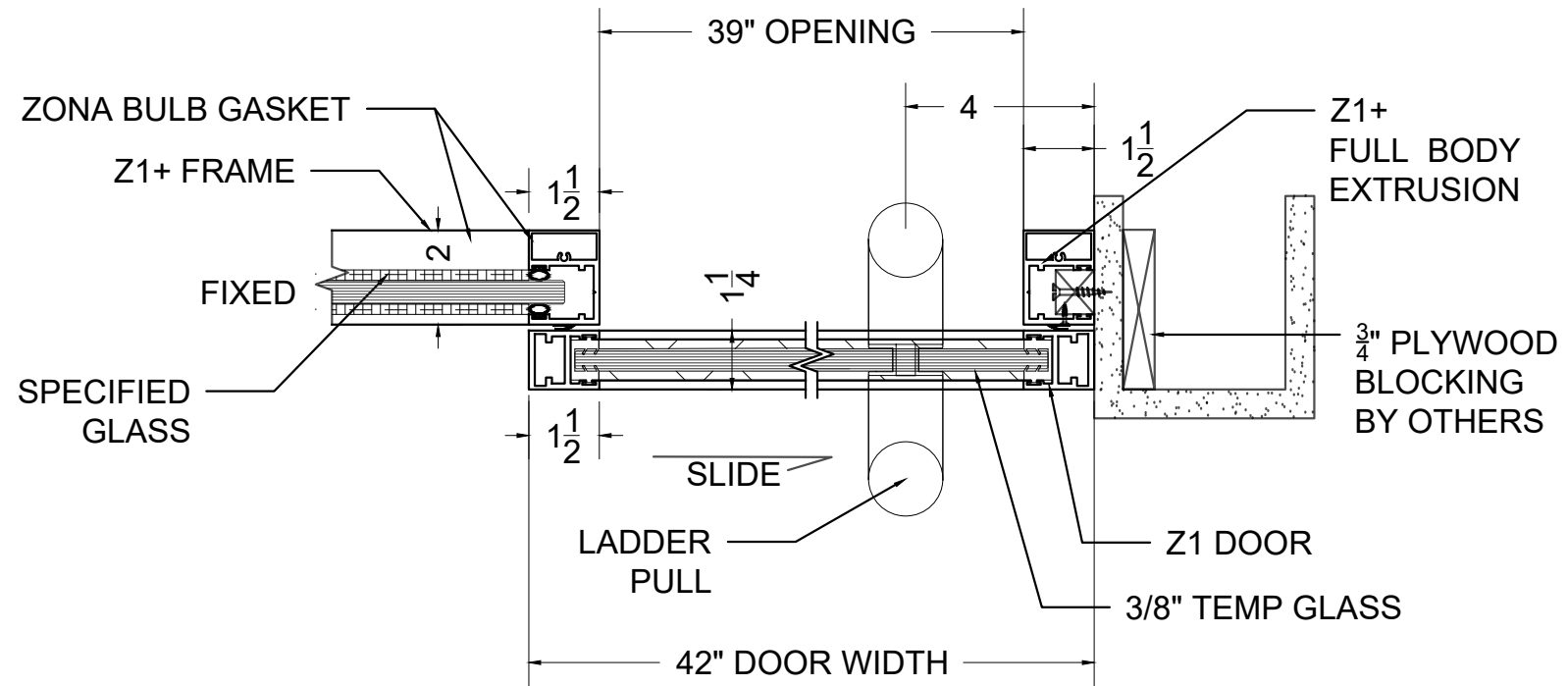
REV	DATE	DESCRIPTION
1	00/00/00	
2	00/00/00	
3	00/00/00	
4	00/00/00	
5	00/00/00	

ZONA - Z1+
ELEVATION 4 DETAILS
DOOR WITH MAG LOCK & LEVER HANDLE
T-CONNECTION & CORNER CONDITION

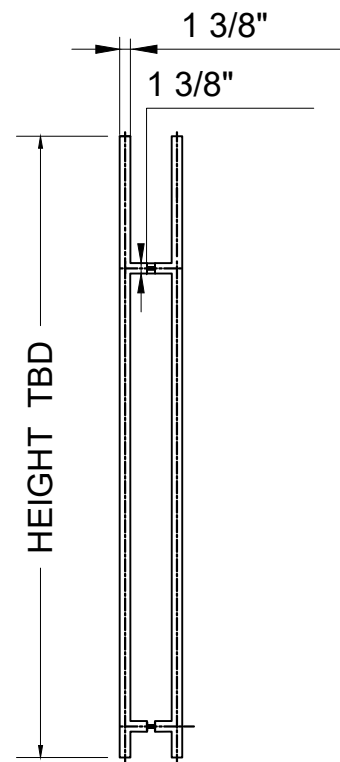
DRAWING NAME DETAILS	
DATE 10/2/24	DRAWING # D-4
SCALE 3"=1'-0"	
DRAWN BY KAP	SHEET 5 OF 7



16 Z1+ SLIDING DOOR - DIRECT MOUNT TRACK
3" = 1'-0" VERTICAL SECTION



17 Z1 LH CLOSED SLIDING DOOR - FRAME TO WALL
3" = 1'-0" HORIZONTAL SECTION - DOOR SLIDES OUTSIDE OF ROOM



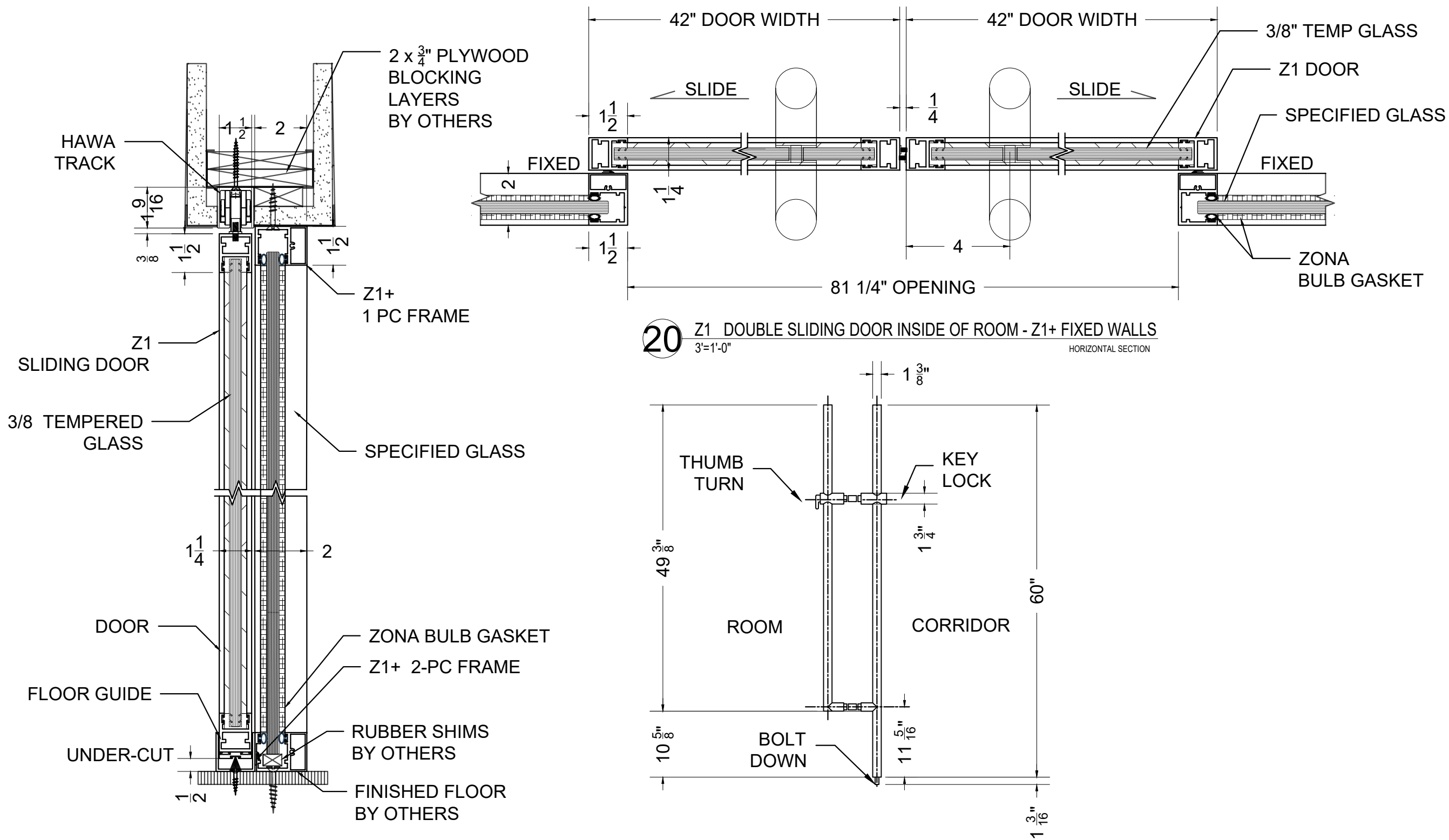
18 ZONA NON LOCKING LADDER PULL
N.T.S. BY T-CONCEPTS

REV	DATE	DESCRIPTION
1	00/00/00	
2	00/00/00	
3	00/00/00	
4	00/00/00	
5	00/00/00	

ZONA - Z1+
ELEVATION 5 DETAILS
DIRECT MOUNT SLIDING DOOR
OUTSIDE OF ROOM

DRAWING NAME
DETAILS

DATE 10/2/24	DRAWING # D-5
SCALE NTS	
DRAWN BY KAP	SHEET 6 OF 7



19 Z1+ SLIDING DOOR - RECESS MOUNT
3" = 1'-0" VERTICAL SECTION

21 ZONA ADA LOCKING LADDER PULL
N.T.S. BY T-CONCEPTS

20 Z1 DOUBLE SLIDING DOOR INSIDE OF ROOM - Z1+ FIXED WALLS
3" = 1'-0" HORIZONTAL SECTION

REV	DATE	DESCRIPTION
1	00/00/00	
2	00/00/00	
3	00/00/00	
4	00/00/00	
5	00/00/00	

ZONA - Z1+
ELEVATION 6 DETAILS
RECESS MOUNT SLIDING DOUBLE DOOR
INSIDE OF ROOM WITH ADA LADDER PULL

DRAWING NAME DETAILS	
DATE 10/2/24	DRAWING # D-6
SCALE NTS	
DRAWN BY KAP	SHEET 7 OF 7