

**1** LYNX - DIRECT MOUNT  
1/2"=1'-0" LEFT STACK

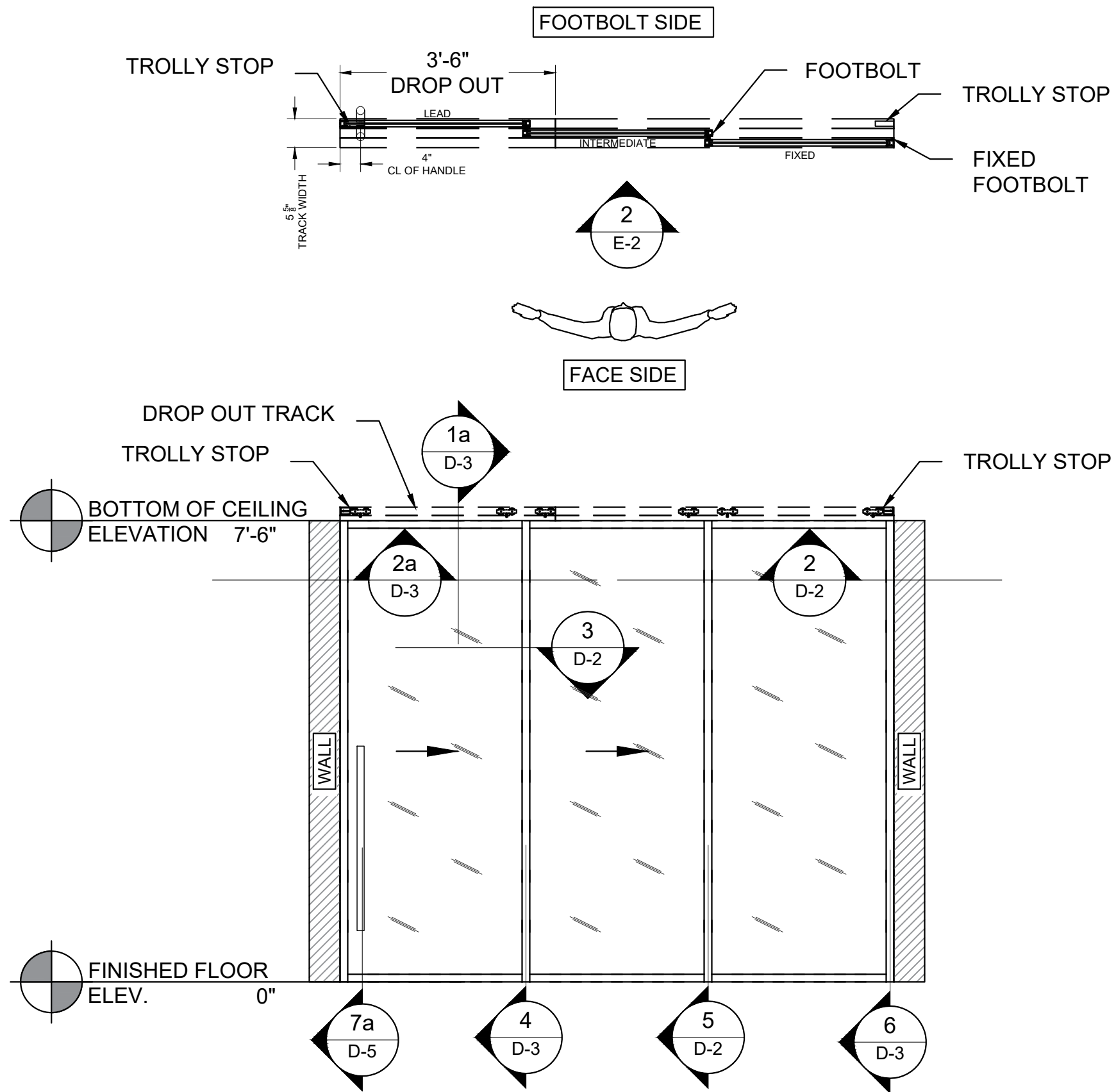
REV	DATE	DESCRIPTION
1	00/00/00	TEST
2	00/00/00	..
3	00/00/00	..
4	00/00/00	..
5	00/00/00	..

ZONA - LYNX

DIRECT MOUNT - LEFT STACK  
PANELS SLIDE OUTSIDE OF ROOM

DRAWING NAME  
**ELEVATION**

DATE 10/24/24	DRAWING # <b>E-1</b>
SCALE 1/2"=1'-0"	
DRAWN BY KAP	SHEET 1 OF 6



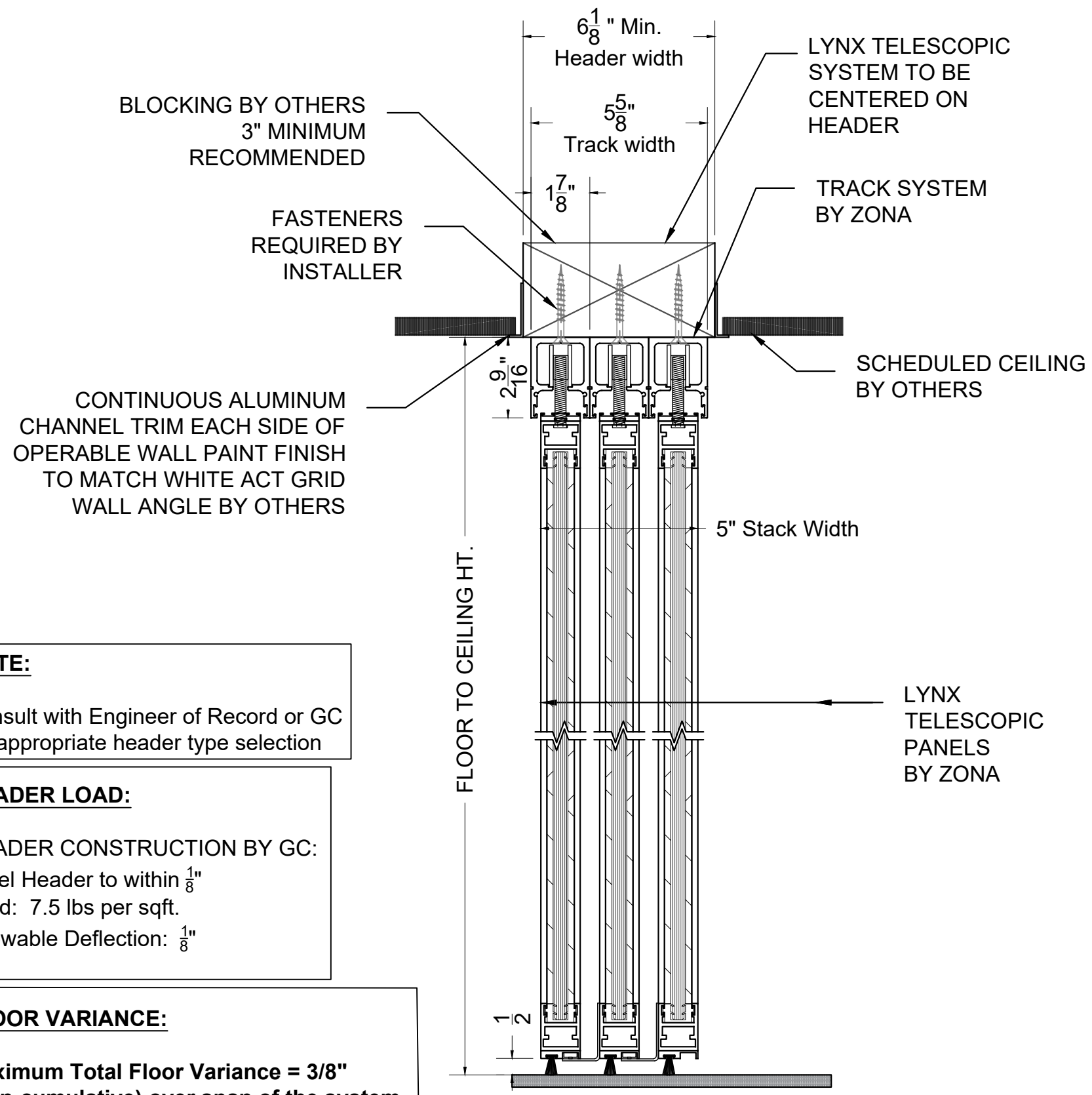
**2** LYNX - RECESS MOUNT  
 1/2"=1'-0" INVERSE RIGHT STACK

REV	DATE	DESCRIPTION
1	00/00/00	TEST
2	00/00/00	..
3	00/00/00	..
4	00/00/00	..
5	00/00/00	..

ZONA - LYNX  
 RECESS MOUNT - INVERSE RIGHT STACK  
 PANELS SLIDE INSIDE OF ROOM

DRAWING NAME  
**ELEVATION**

DATE 10/24/24	DRAWING # <b>E-2</b>
SCALE 1' = 1'-0"	
DRAWN BY KAP	SHEET 2 OF 6



**NOTE:**  
Consult with Engineer of Record or GC for appropriate header type selection

**HEADER LOAD:**  
HEADER CONSTRUCTION BY GC:  
Level Header to within  $\frac{1}{8}$ "  
Load: 7.5 lbs per sqft.  
Allowable Deflection:  $\frac{1}{8}$ "

**FLOOR VARIANCE:**  
Maximum Total Floor Variance =  $\frac{3}{8}$ "  
(Non-cumulative) over span of the system.

**1** Z1 LYNX - ZONA TRACK DIRECT MOUNT  
VERTICAL SECTION / TELESCOPIC

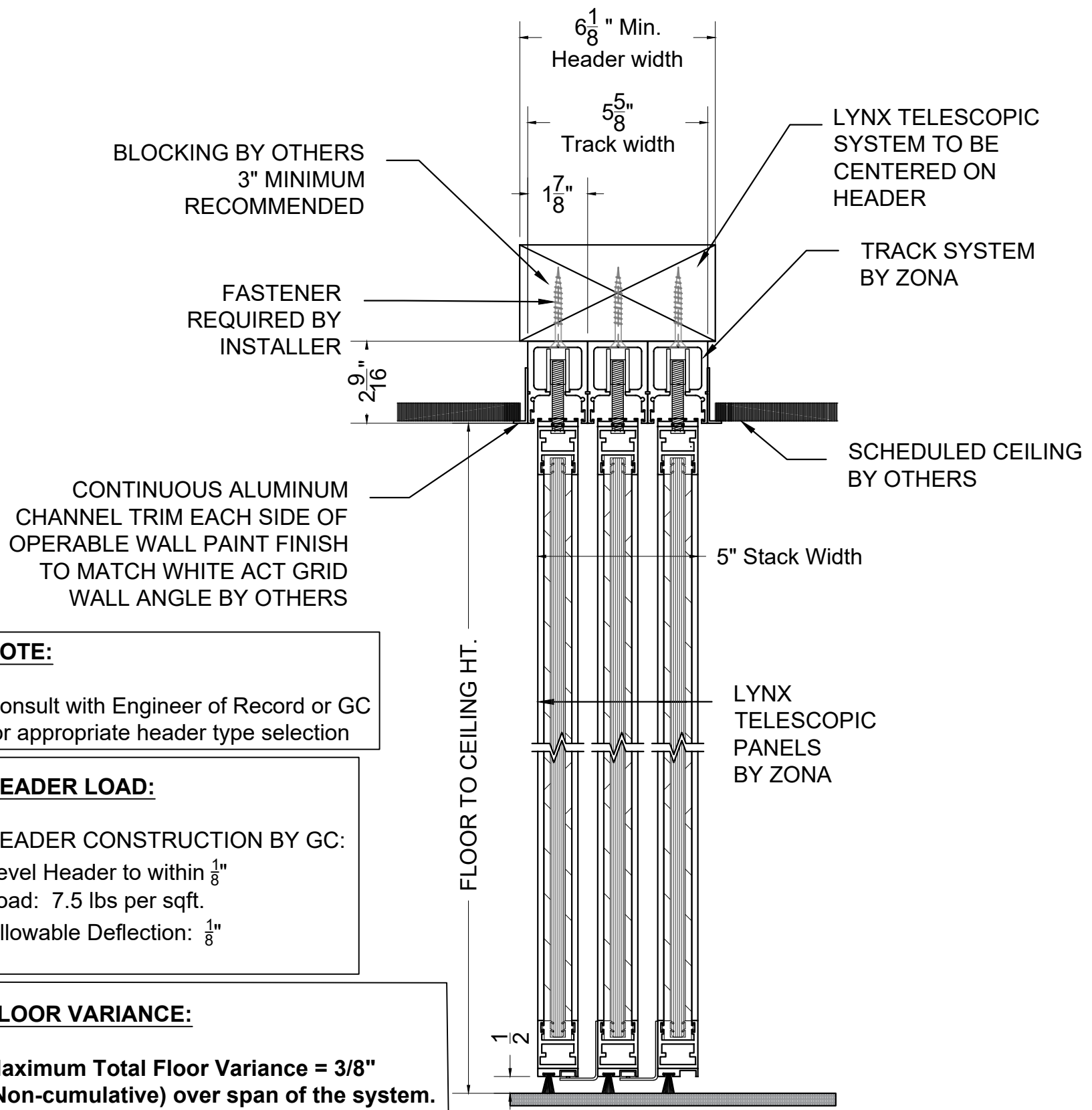


REV	DATE	DESCRIPTION
1	00/00/00	TEST
2	00/00/00	..
3	00/00/00	..
4	00/00/00	..
5	00/00/00	..

**ZONA - LYNX**  
ELEVATION 1 DETAIL  
DIRECT MOUNT - LEFT STACK  
PANELS SLIDE OUTSIDE OF ROOM

DRAWING NAME  
**DETAILS**

DATE 10/24/24	DRAWING # <b>D-1</b>
SCALE 1' = 1'-0"	
DRAWN BY KAP	SHEET 3 OF 6



**NOTE:**  
Consult with Engineer of Record or GC for appropriate header type selection

**HEADER LOAD:**  
HEADER CONSTRUCTION BY GC:  
Level Header to within  $\frac{1}{8}$ "  
Load: 7.5 lbs per sqft.  
Allowable Deflection:  $\frac{1}{8}$ "

**FLOOR VARIANCE:**  
Maximum Total Floor Variance =  $\frac{3}{8}$ "  
(Non-cumulative) over span of the system.

**1a** Z1 LYNX - ZONA TRACK RECESS MOUNT  
VERTICAL SECTION / TELESCOPIC

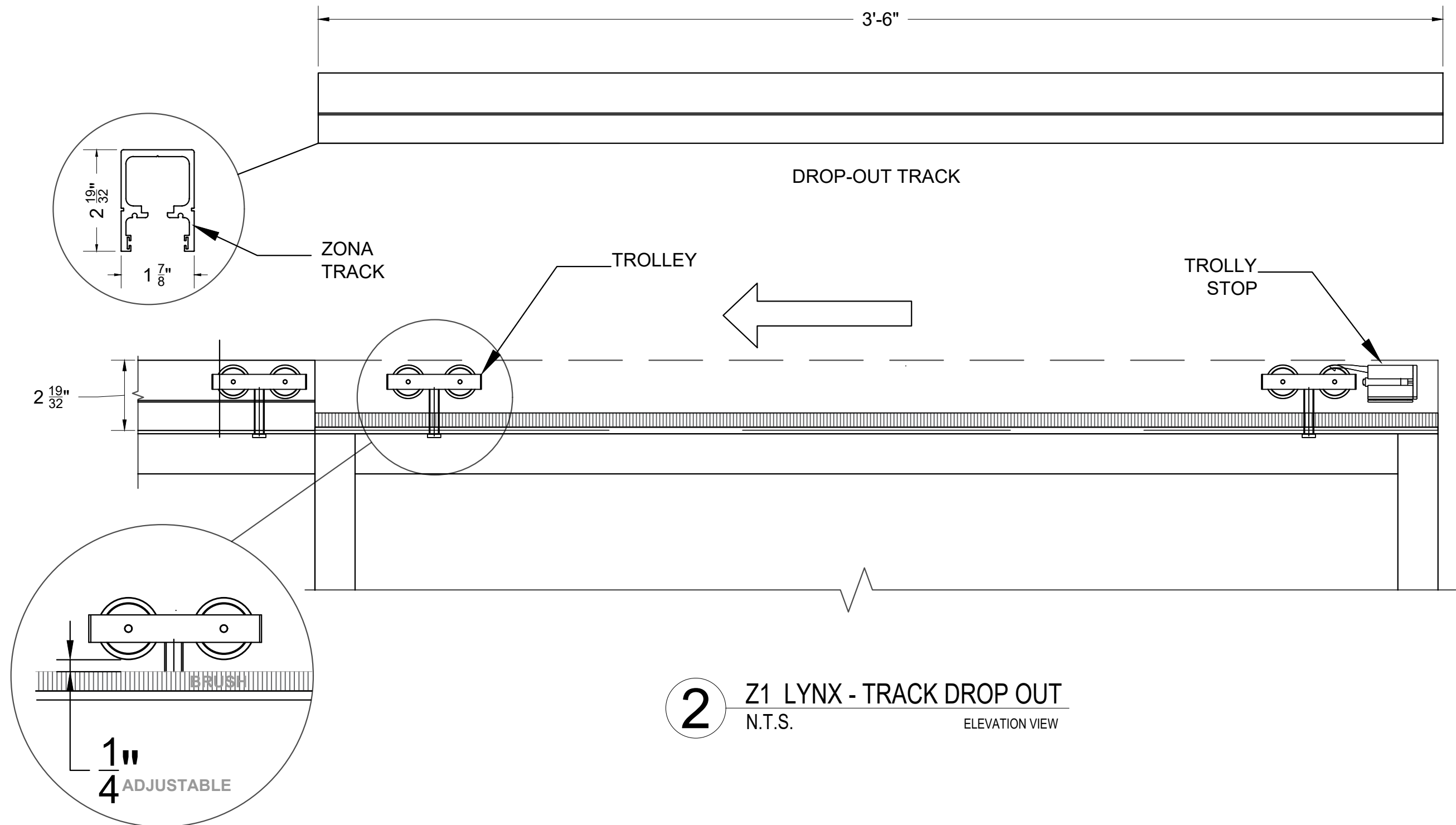


REV	DATE	DESCRIPTION
1	00/00/00	TEST
2	00/00/00	..
3	00/00/00	..
4	00/00/00	..
5	00/00/00	..

**ZONA - LYNX**  
ELEVATION 2 DETAIL  
RECESS MOUNT - INVERSE RIGHT STACK  
PANELS SLIDE INSIDE OF ROOM

DRAWING NAME  
**DETAILS**

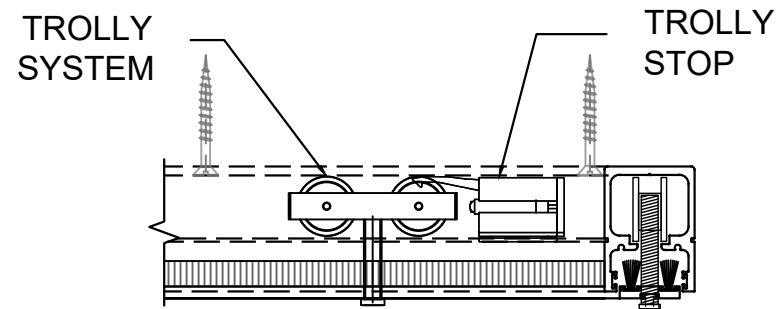
DATE 10/24/24	DRAWING # <b>D-2</b>
SCALE 1' = 1'-0"	
DRAWN BY KAP	SHEET 3 OF 6



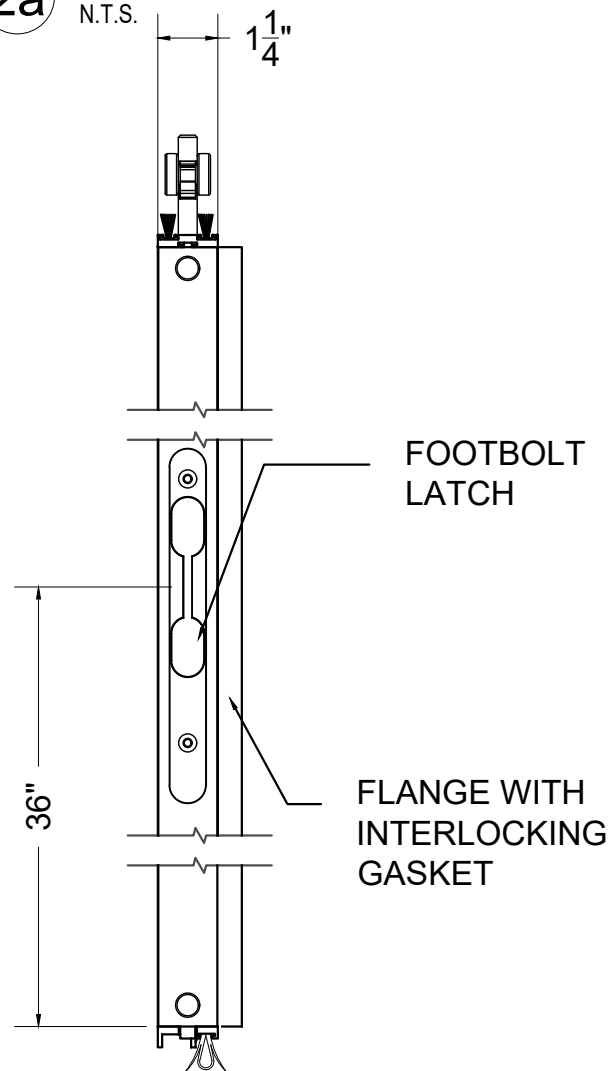
**2** Z1 LYNX - TRACK DROP OUT  
N.T.S. ELEVATION VIEW

ZONA - LYNX  
ELEVATION 1 & 2 DETAILS  
TYPICAL LYNX TRACK -  
DIRECT OR RECESS MOUNT

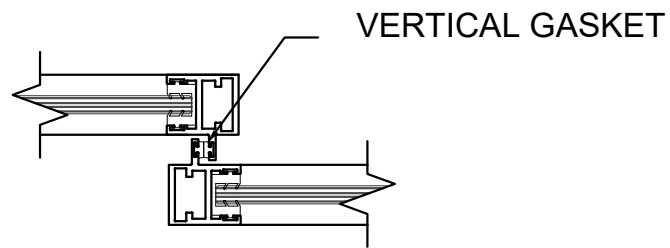
DRAWING NAME <b>DETAILS</b>	
DATE 10/24/24	DRAWING # <b>D-3</b>
SCALE N.T.S.	
DRAWN BY KAP	SHEET 4 OF 6



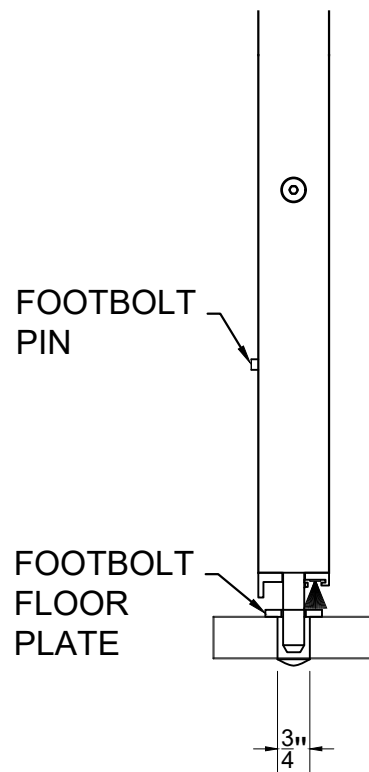
**2a** Z1 LYNX TROLLEY AND STOP  
N.T.S.



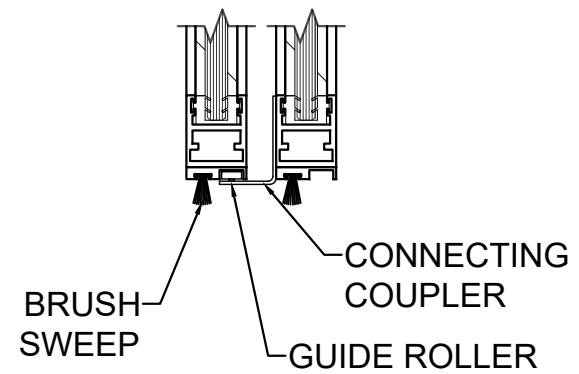
**5** Z1 LYNX FOOTBOLT - END VIEW  
3"=1'-0" VERTICAL ELEVATION



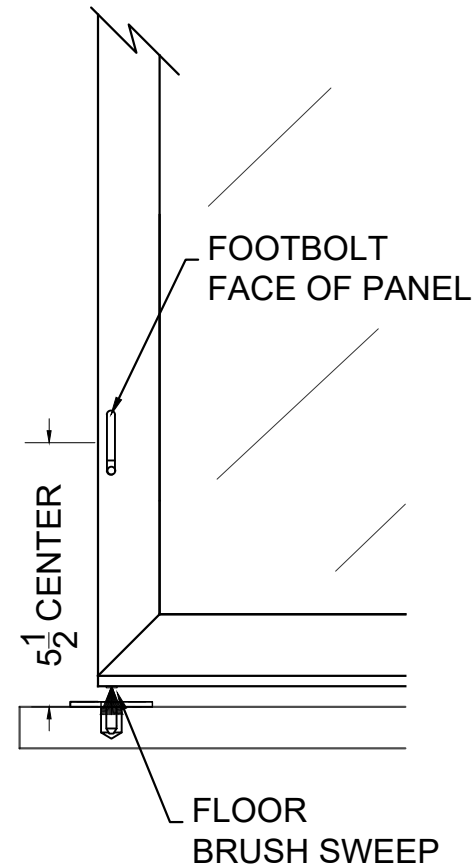
**3** Z1 LYNX - INTEGRATED PANEL CATCH  
3"=1'-0" HORIZONTAL SECTION



END VIEW



**4** Z1 LYNX - BOTTOM GUIDES  
3"=1'-0" VERTICAL SECTION @ BOTTOM OF PANEL



ELEVATION VIEW

**6** Z1 LYNX - FOOTBOLT FOR FIXED PANEL  
3"=1'-0" MULTI-VIEWS

REV	DATE	DESCRIPTION
1	00/00/00	TEST
2	00/00/00	..
3	00/00/00	..
4	00/00/00	..
5	00/00/00	..

ZONA - LYNX  
ELEVATION 1 & 2 DETAILS

TYPICAL LYNX DETAILS

DRAWING NAME  
**DETAILS**

DATE  
10/24/24

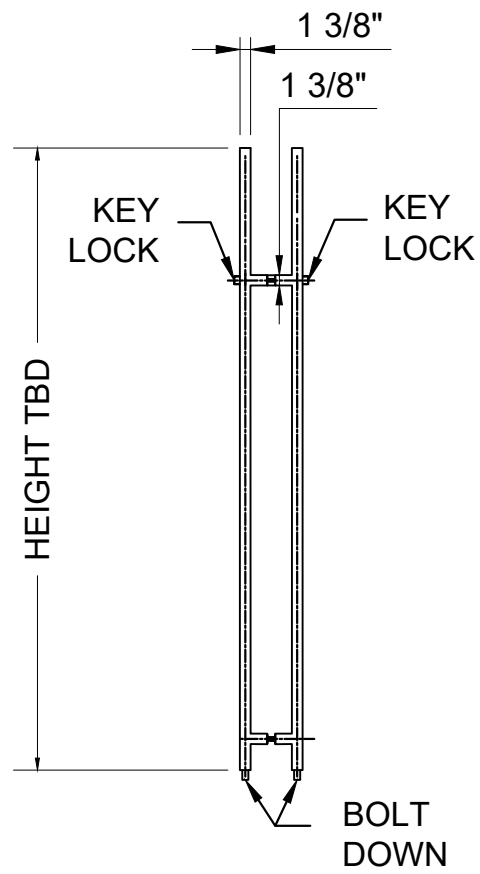
SCALE  
1' = 1'-0"

DRAWN BY  
KAP

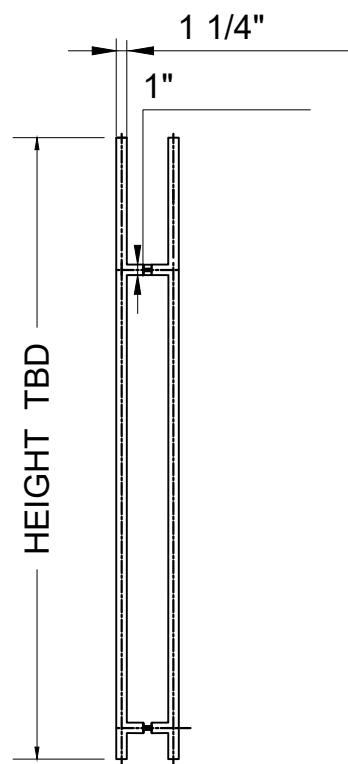
DRAWING #

**D-4**

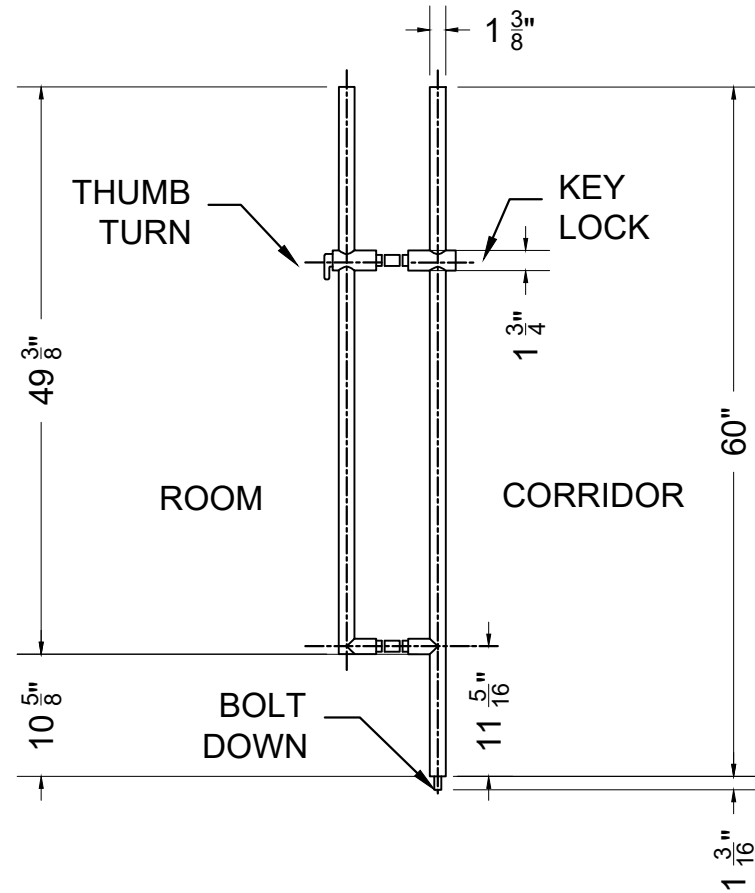
SHEET 5 OF 6



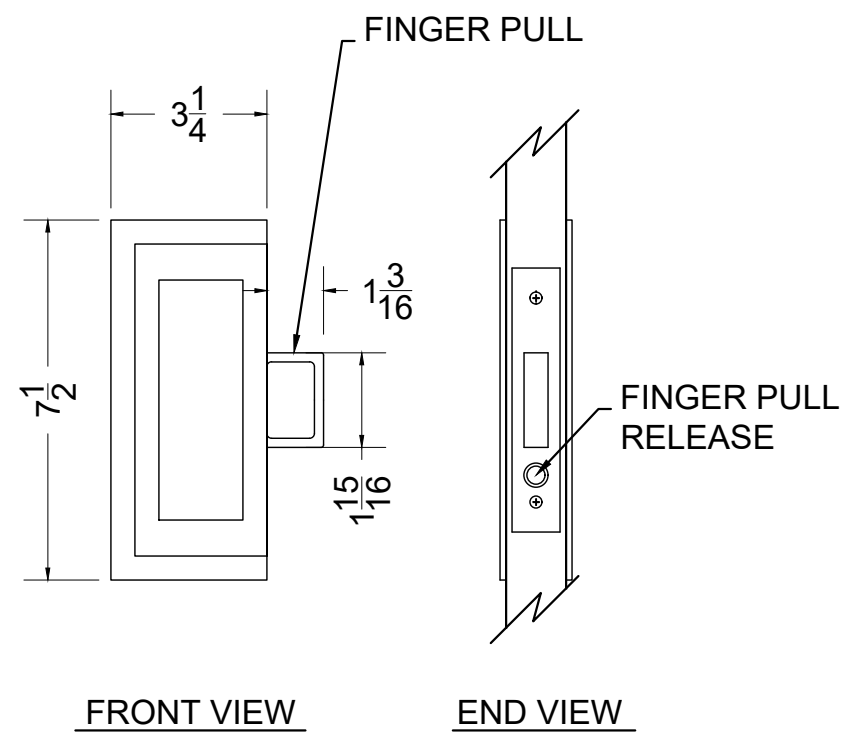
**7** ZONA LOCKING LADDER PULL  
N.T.S. BY T-CONCEPTS



**7a** ZONA NON LOCKING LADDER PULL  
N.T.S. BY T-CONCEPTS



**7b** ZONA ADA LOCKING LADDER PULL  
N.T.S. BY T-CONCEPTS



**7c** Z1 LYNX - NON-LOCKING FLUSH PULL  
WITH FINGER PULL



REV	DATE	DESCRIPTION
1	00/00/00	TEST
2	00/00/00	..
3	00/00/00	..
4	00/00/00	..
5	00/00/00	..

**ZONA - LYNX**  
ELEVATION 1 & 2 DETAILS  
TYPICAL LYNX DETAILS

DRAWING NAME  
**DETAILS**

DATE 10/24/24	DRAWING # <b>D-5</b>
SCALE 1' = 1'-0"	
DRAWN BY KAP	SHEET 6 OF 6