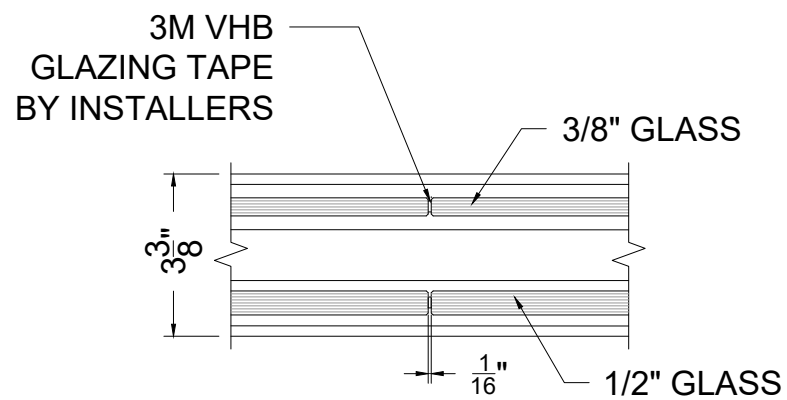
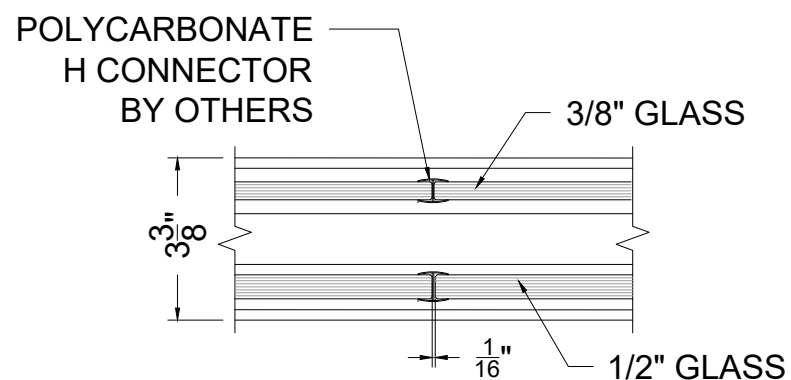


Z2 - FIXED WALL DOUBLE GLAZED
3" = 1' VARIED GLASS THICKNESS FOR BEST STC



Z2 DOUBLE GLAZE - BUTT JOINT
3" = 1' HORIZONTAL SECTION



Z2 DOUBLE GLAZE - POLYCARB JOINT
3" = 1' HORIZONTAL SECTION

REV	DATE	DESCRIPTION
0	03/13/26	..
1	00/00/00	..
2	00/00/00	..
3	00/00/00	..
4	00/00/00	..

Z2 DETAILS

DRAWING NAME
DETAILS

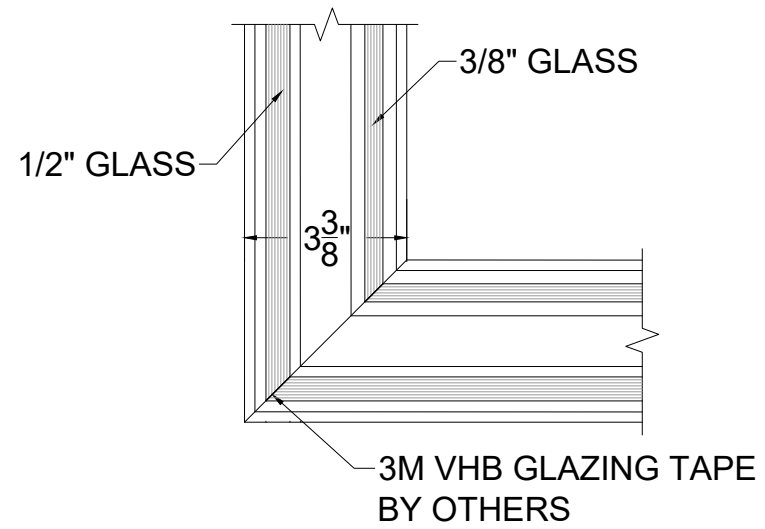
DATE
DATE

SCALE
3"=1'-0"

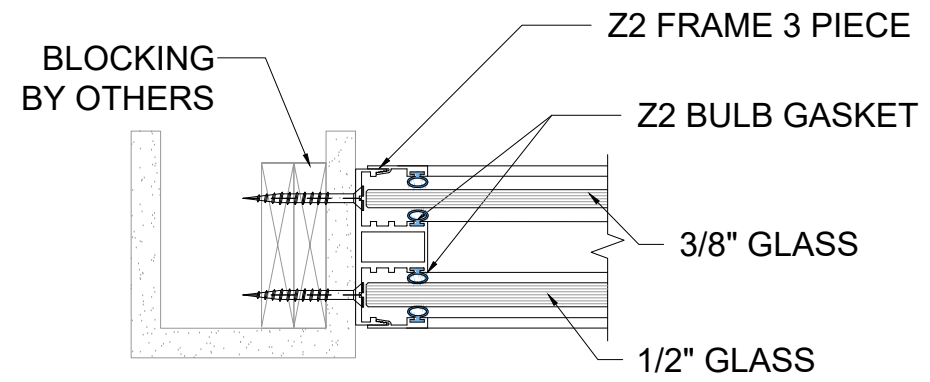
DRAWN BY
KAP

DRAWING #
D-1

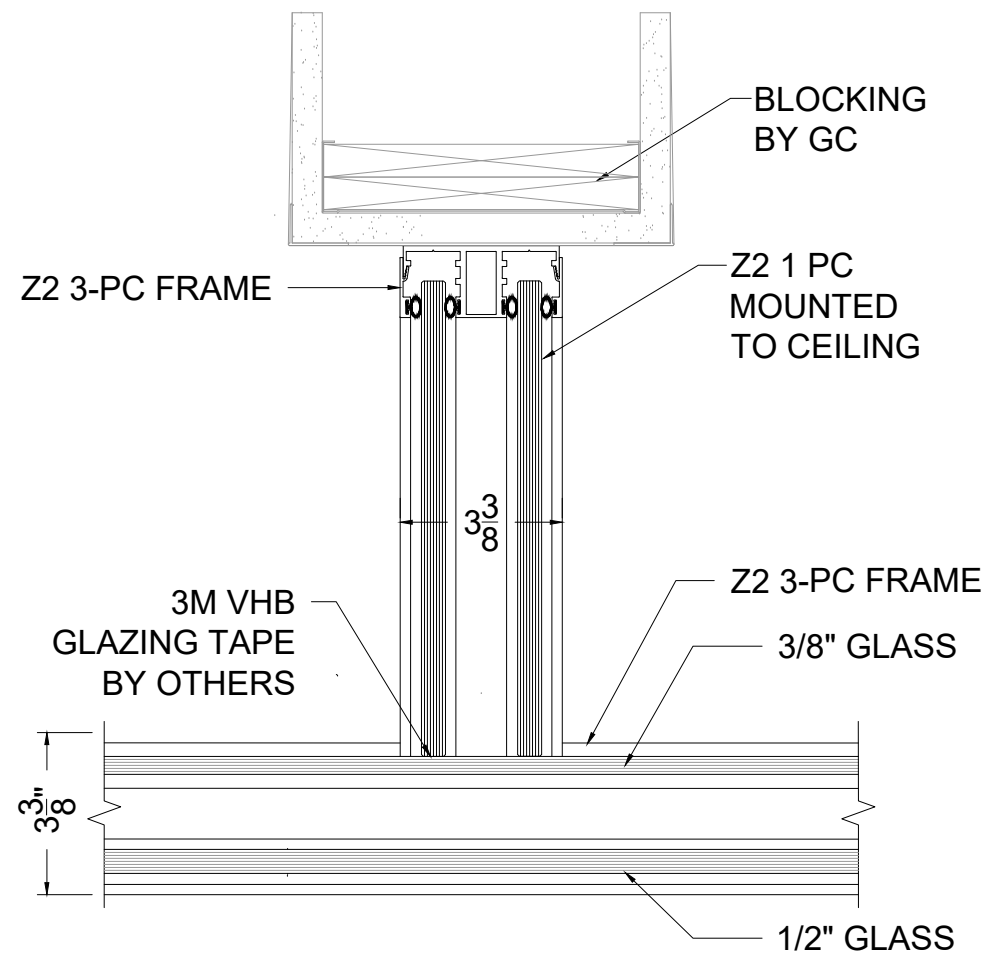
SHEET 1 OF 9



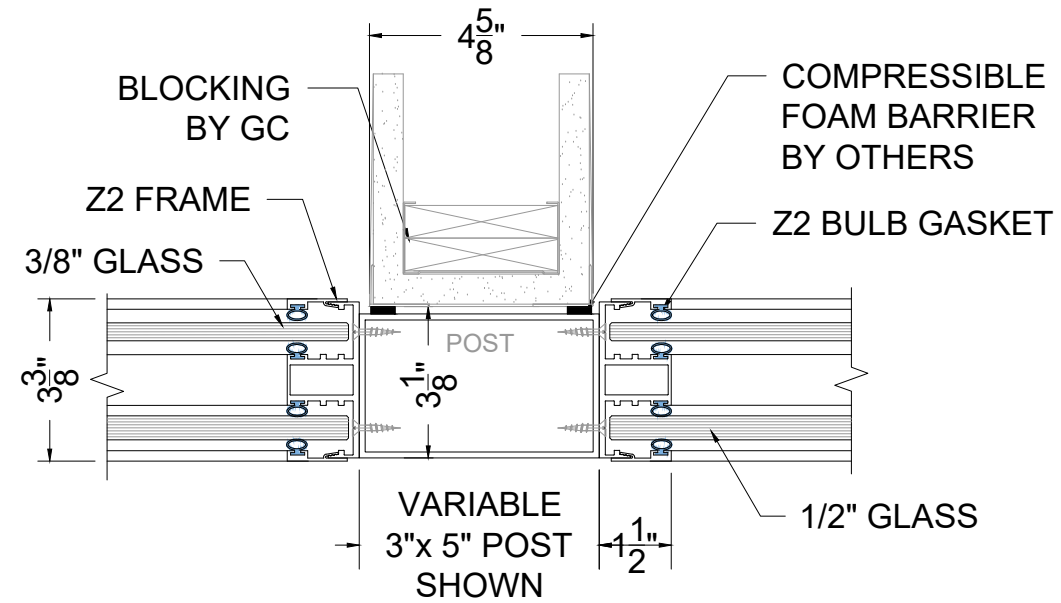
Z2 DOUBLE GLAZE - CORNER MITER
3" = 1" HORIZONTAL SECTION



Z2 FIXED GLASS - 3 PIECE EXTRUSION
3" = 1'-0" HORIZONTAL SECTION



Z2 - "T" CONNECTION
3" = 1" HORIZONTAL SECTION



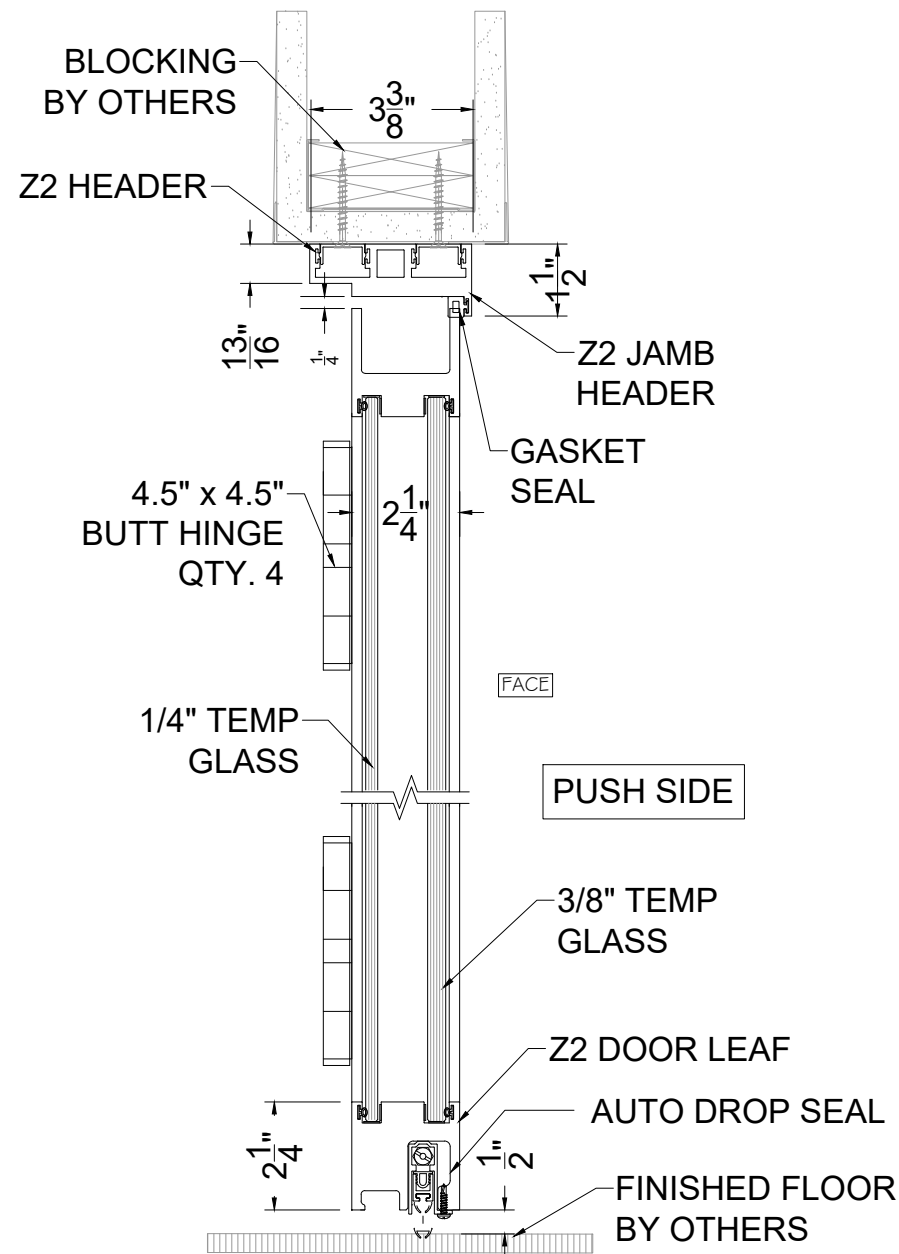
Z2 POST FLY BY DIVIDER WALL
3" = 1" HORIZONTAL SECTION

REV	DATE	DESCRIPTION
0	03/13/26	..
1	00/00/00	..
2	00/00/00	..
3	00/00/00	..
4	00/00/00	..

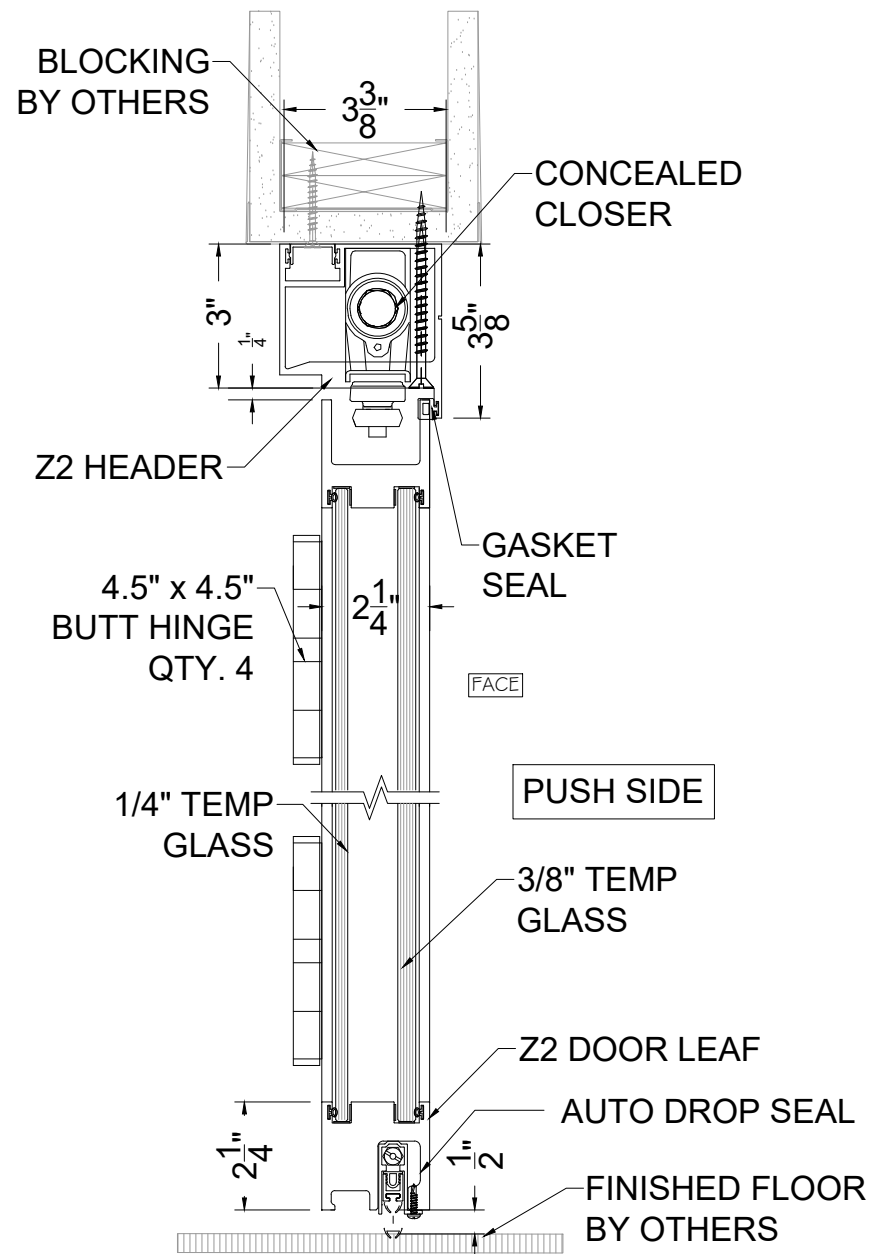
Z2 DETAILS

DRAWING NAME
DETAILS

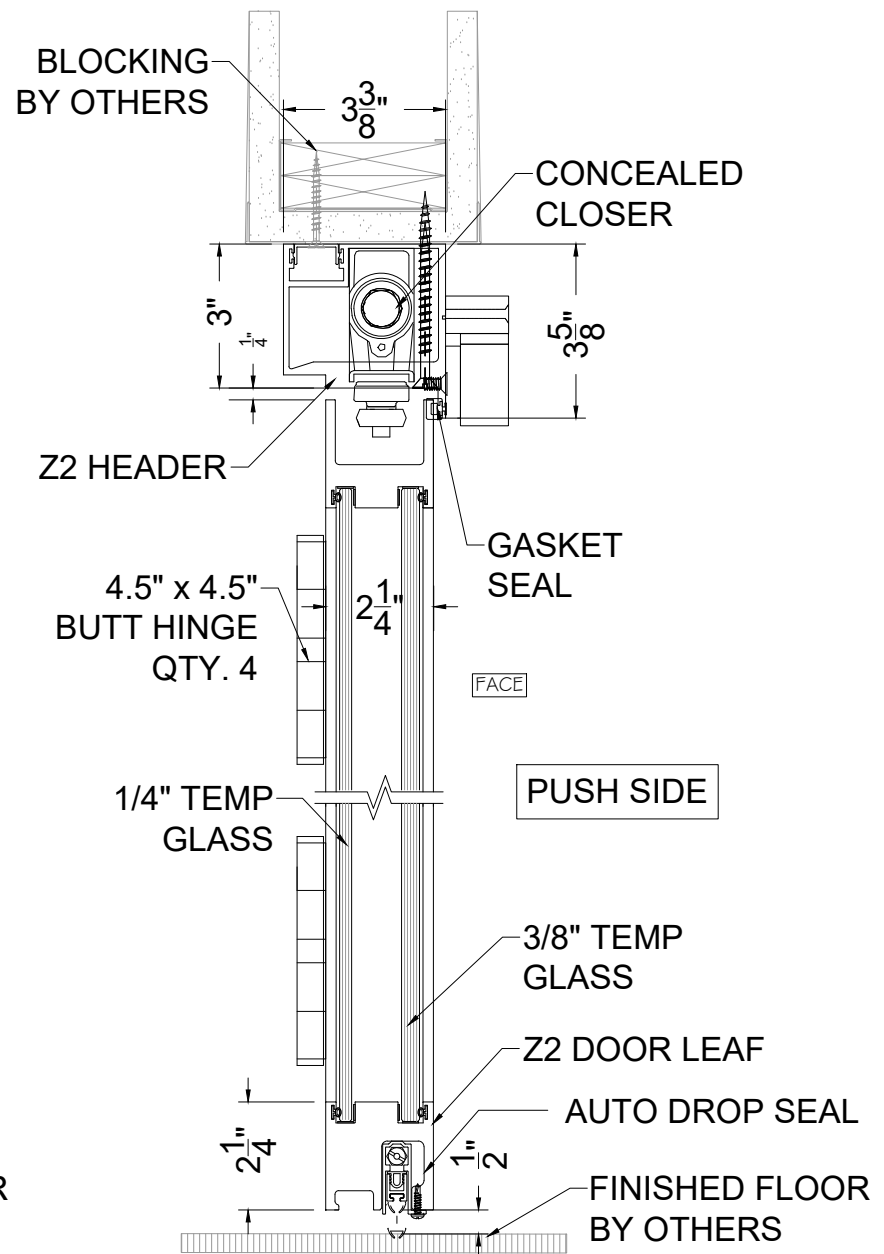
DATE	DRAWING #
DATE	D-2
SCALE	
3"=1'-0"	
DRAWN BY	
KAP	SHEET 2 OF 9



Z2 DOOR - FREE SWING
3"=1'-0" VERTICAL SECTION



Z2 DOOR - CONCEALED CLOSER
3"=1'-0" VERTICAL SECTION



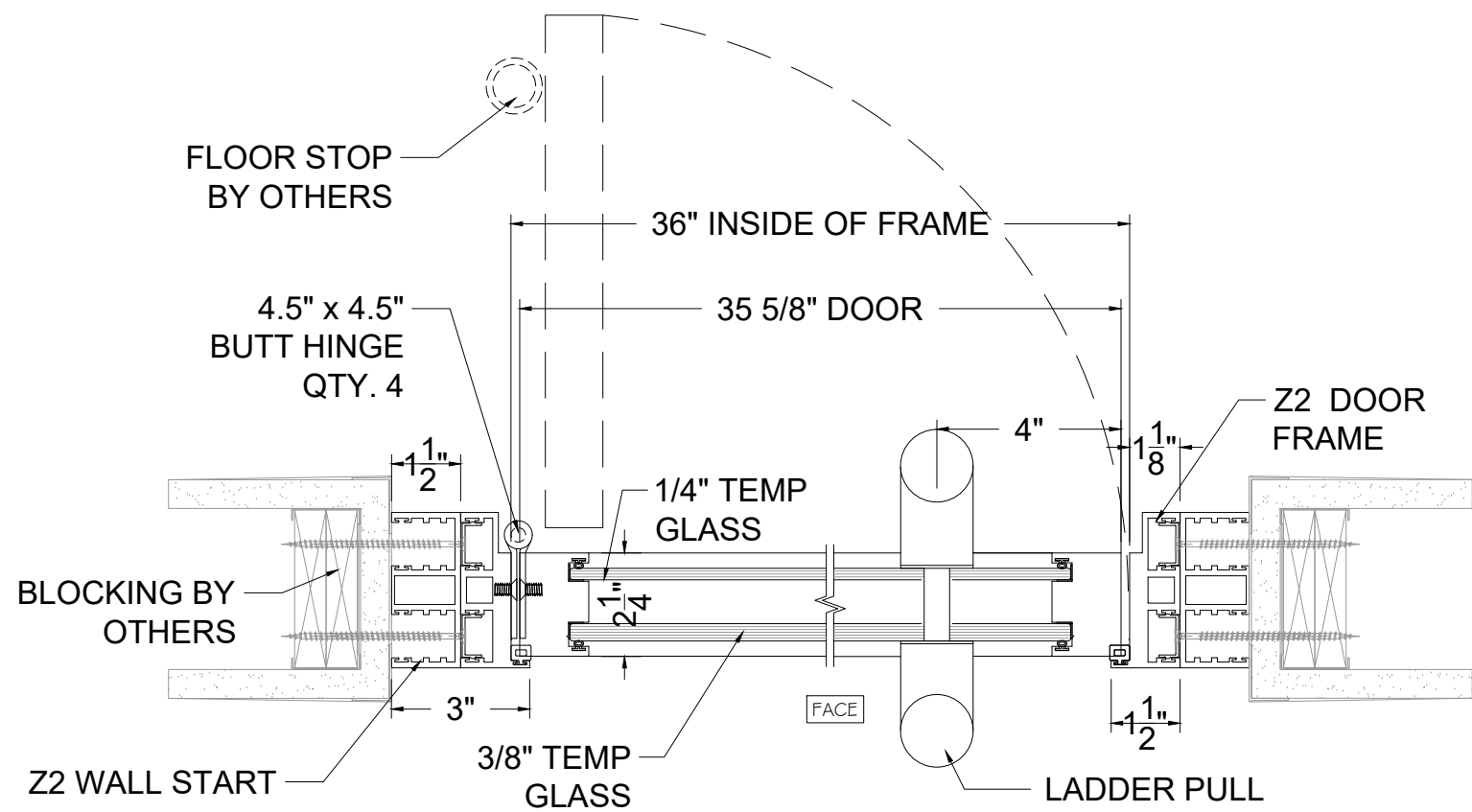
Z2 DOOR - MAGNETIC LOCK, CONCEALED CLOSER
3"=1'-0" VERTICAL SECTION

Z2 DETAILS

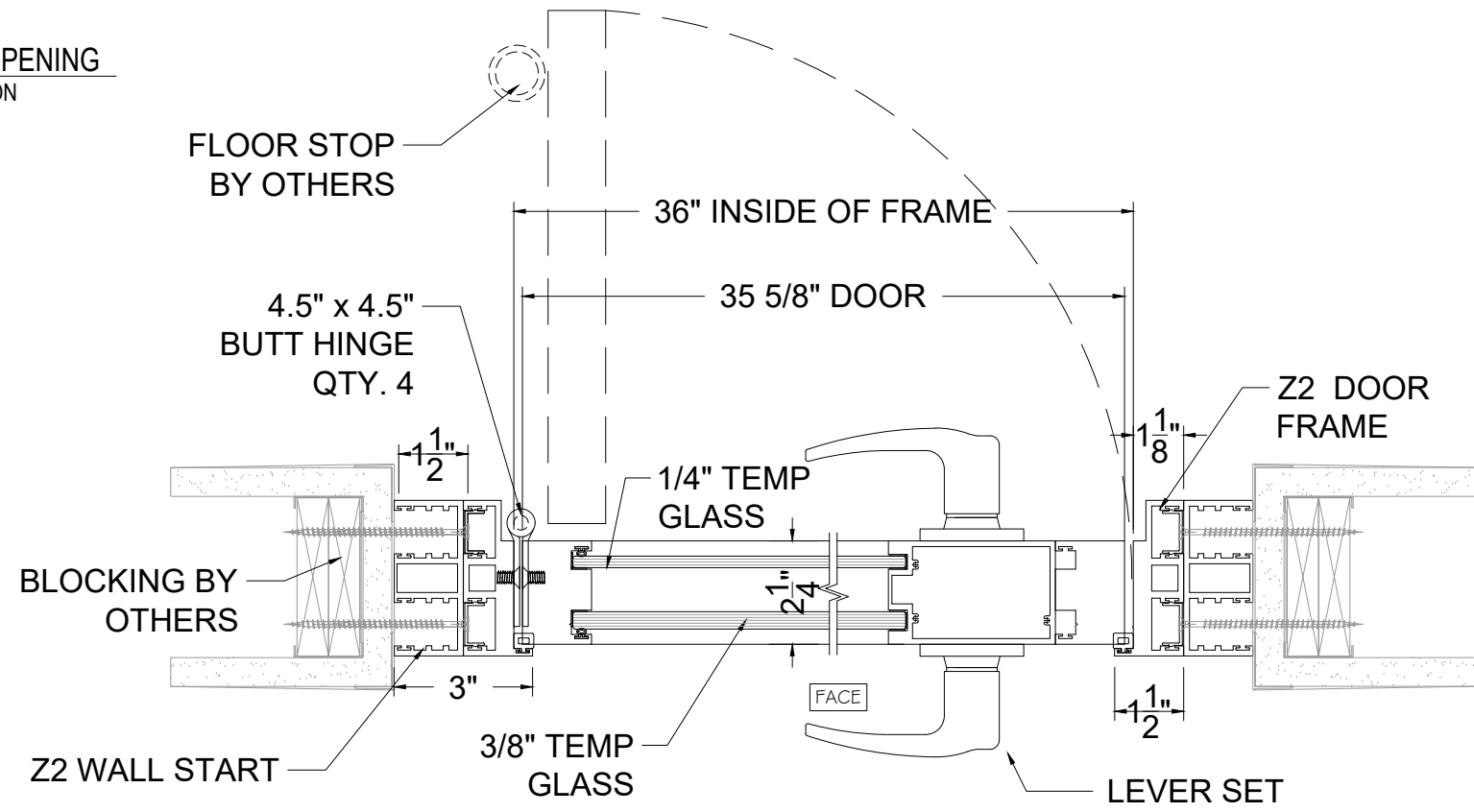
REV	DATE	DESCRIPTION
0	03/13/26	..
1	00/00/00	..
2	00/00/00	..
3	00/00/00	..
4	00/00/00	..

DRAWING NAME
DETAILS

DATE	DRAWING #
DATE	D-3
SCALE	
3"=1'-0"	
DRAWN BY	
KAP	SHEET 3 OF 9



Z2 LH DOOR W / LADDER PULL - FINISHED OPENING
3"=1'-0" HORIZ SECTION



Z2 LH DOOR W / LEVER SET - FINISHED OPENING
3"=1'-0" HORIZ SECTION

REV	DATE	DESCRIPTION
0	03/13/26	
1	00/00/00	
2	00/00/00	
3	00/00/00	
4	00/00/00	

Z2 DETAILS

DRAWING NAME
DETAILS

DATE
DATE

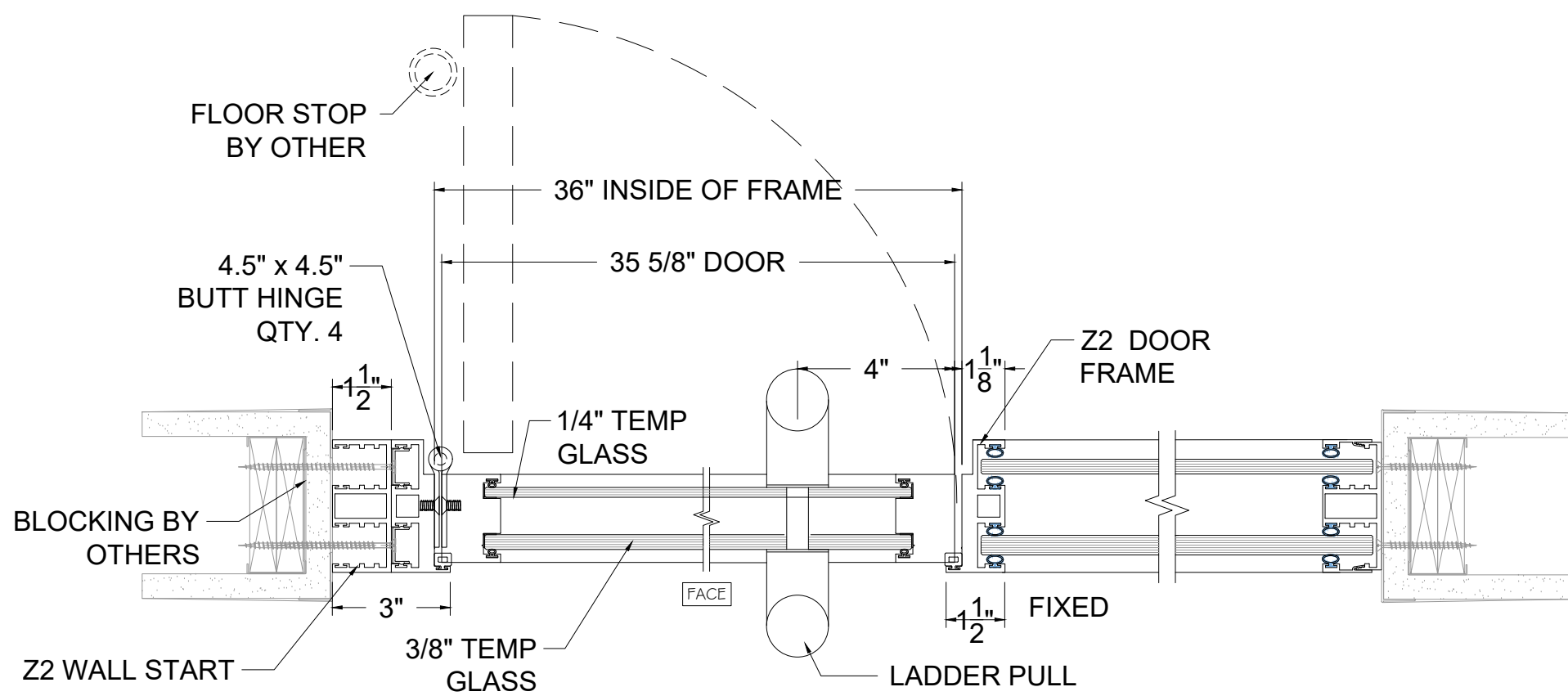
DRAWING #

SCALE
3"=1'-0"

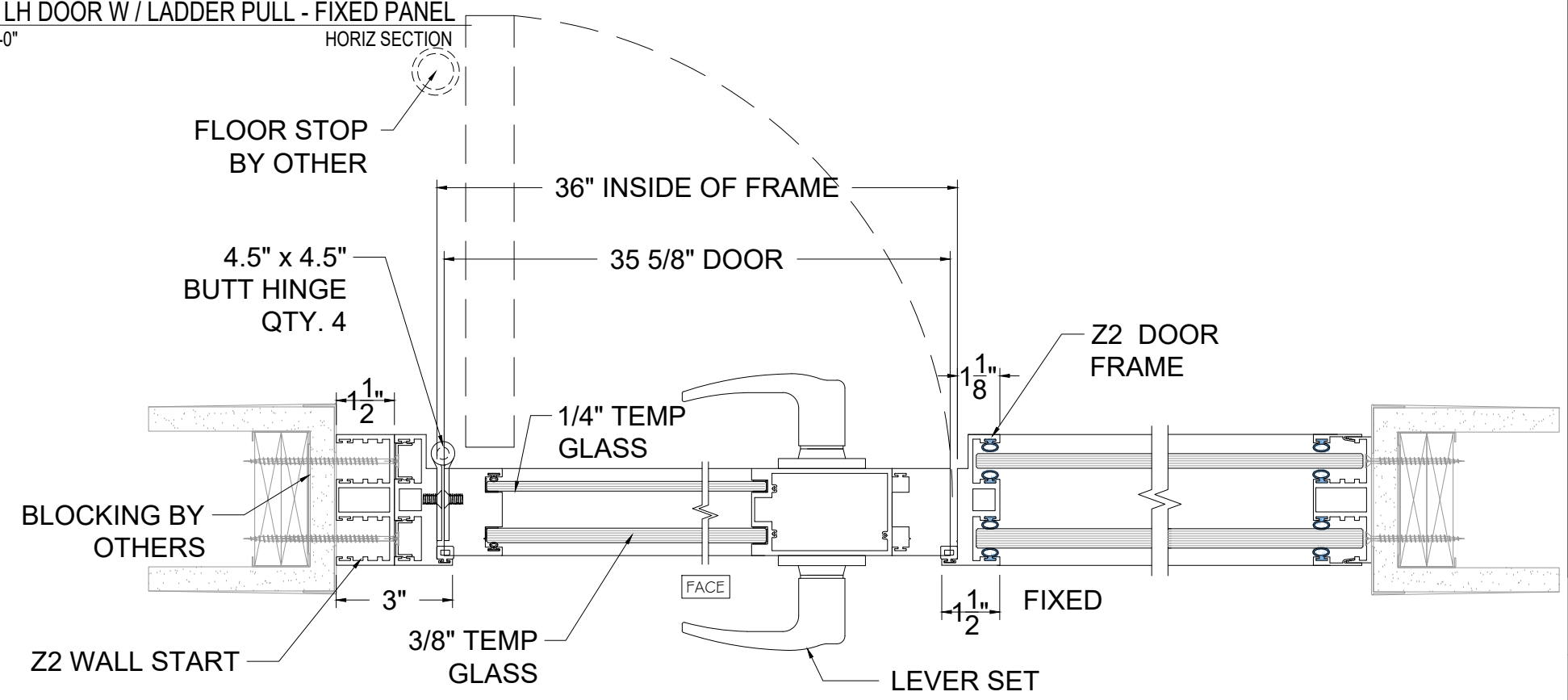
D-4

DRAWN BY
KAP

SHEET 4 OF 9



Z2 LH DOOR W / LADDER PULL - FIXED PANEL
3"=1'-0" HORIZ SECTION



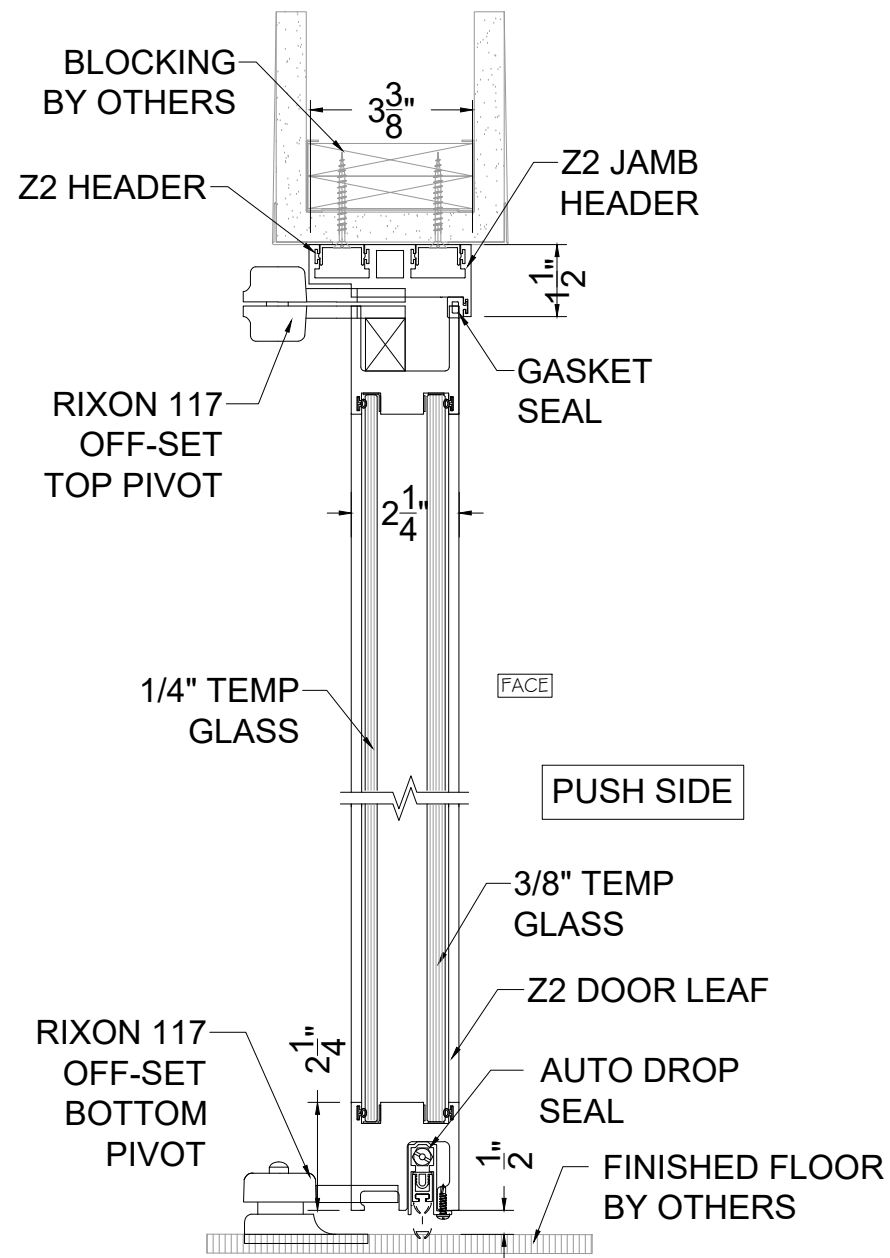
Z2 LH DOOR W / LEVER SET - FIXED PANEL
3"=1'-0" HORIZ SECTION

REV	DATE	DESCRIPTION
0	03/13/26	
1	00/00/00	
2	00/00/00	
3	00/00/00	
4	00/00/00	

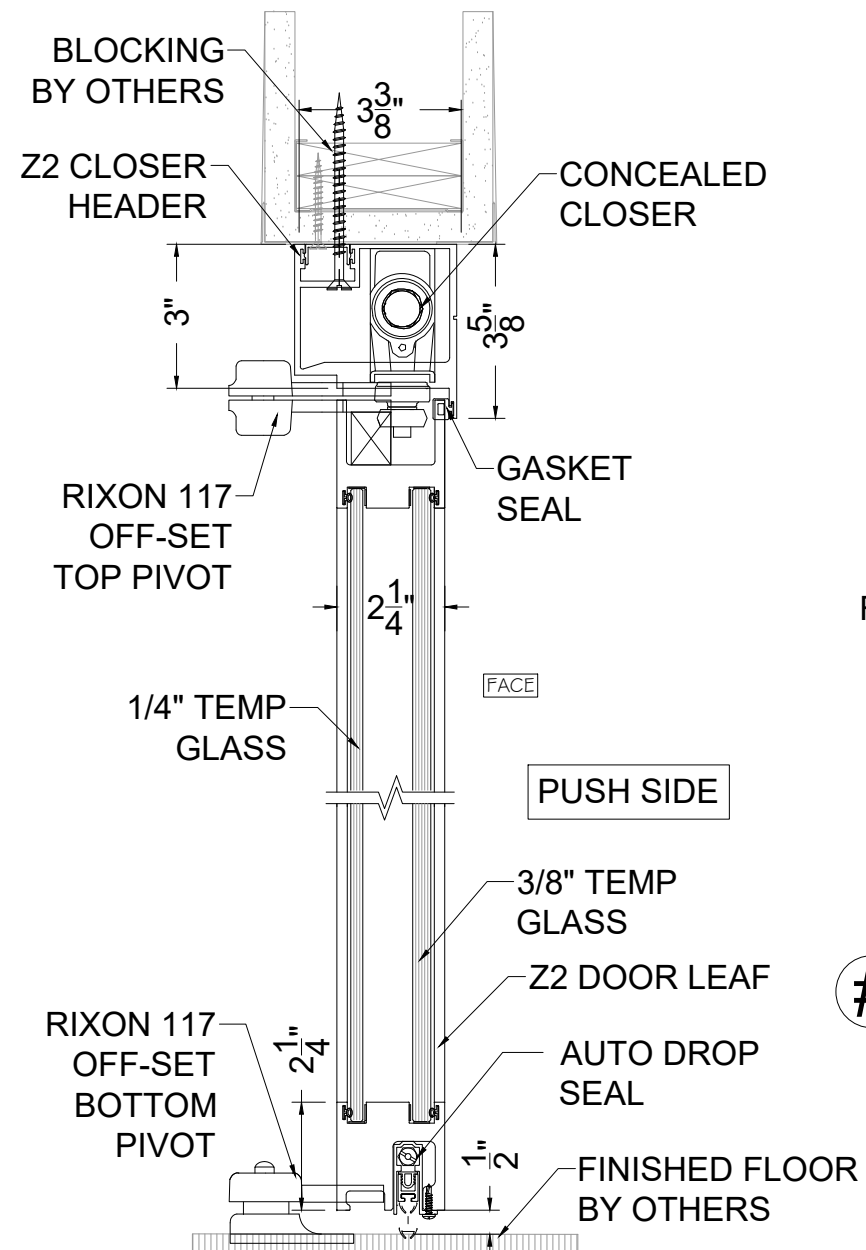
Z2 DETAILS

DRAWING NAME
DETAILS

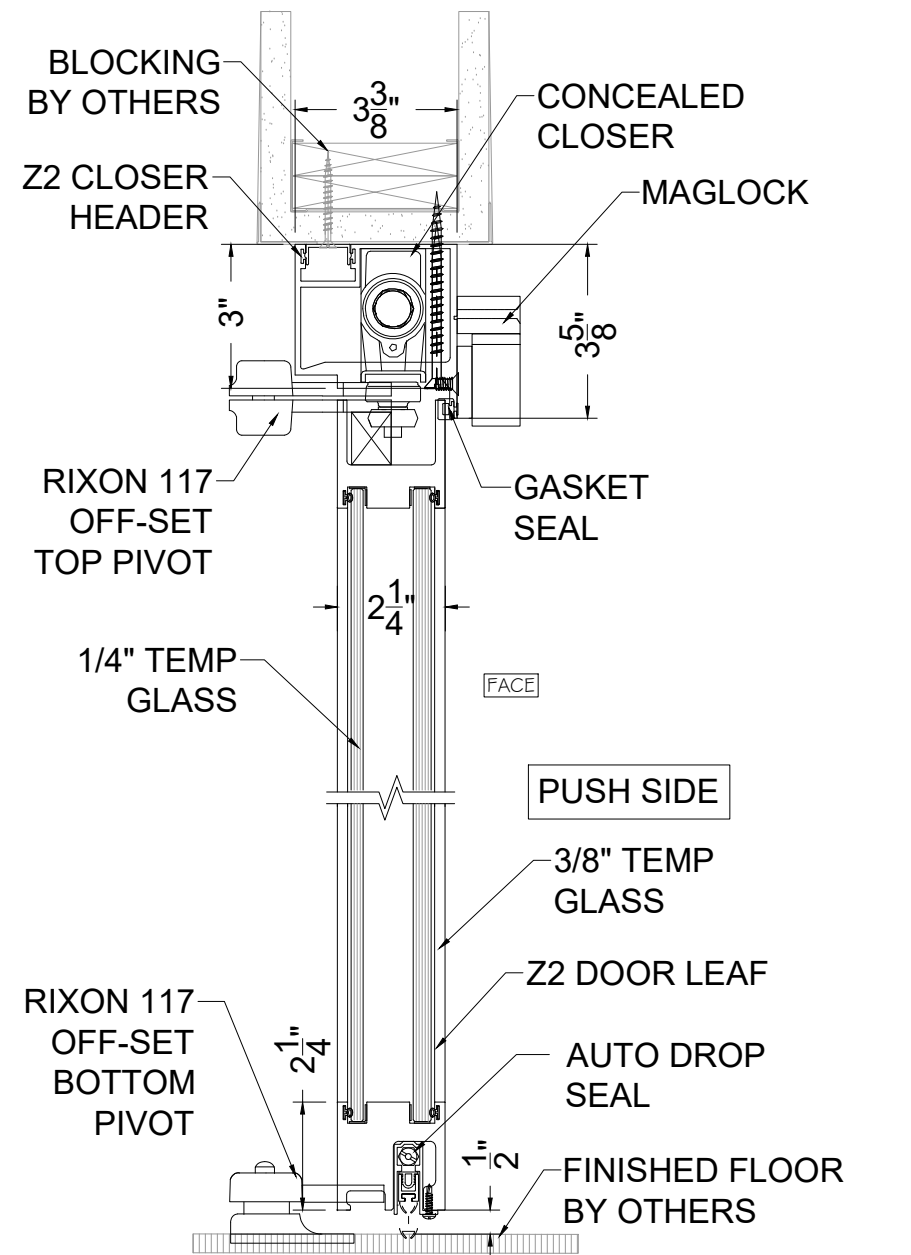
DATE	DRAWING #
DATE	D-5
SCALE	
3"=1'-0"	
DRAWN BY	
KAP	SHEET 5 OF 9



Z2 DOOR - RIXSON HINGE
3"=1'-0" VERTICAL SECTION



Z2 DOOR - RIXSON HINGE, CONCEALED CLOSER
3"=1'-0" VERTICAL SECTION

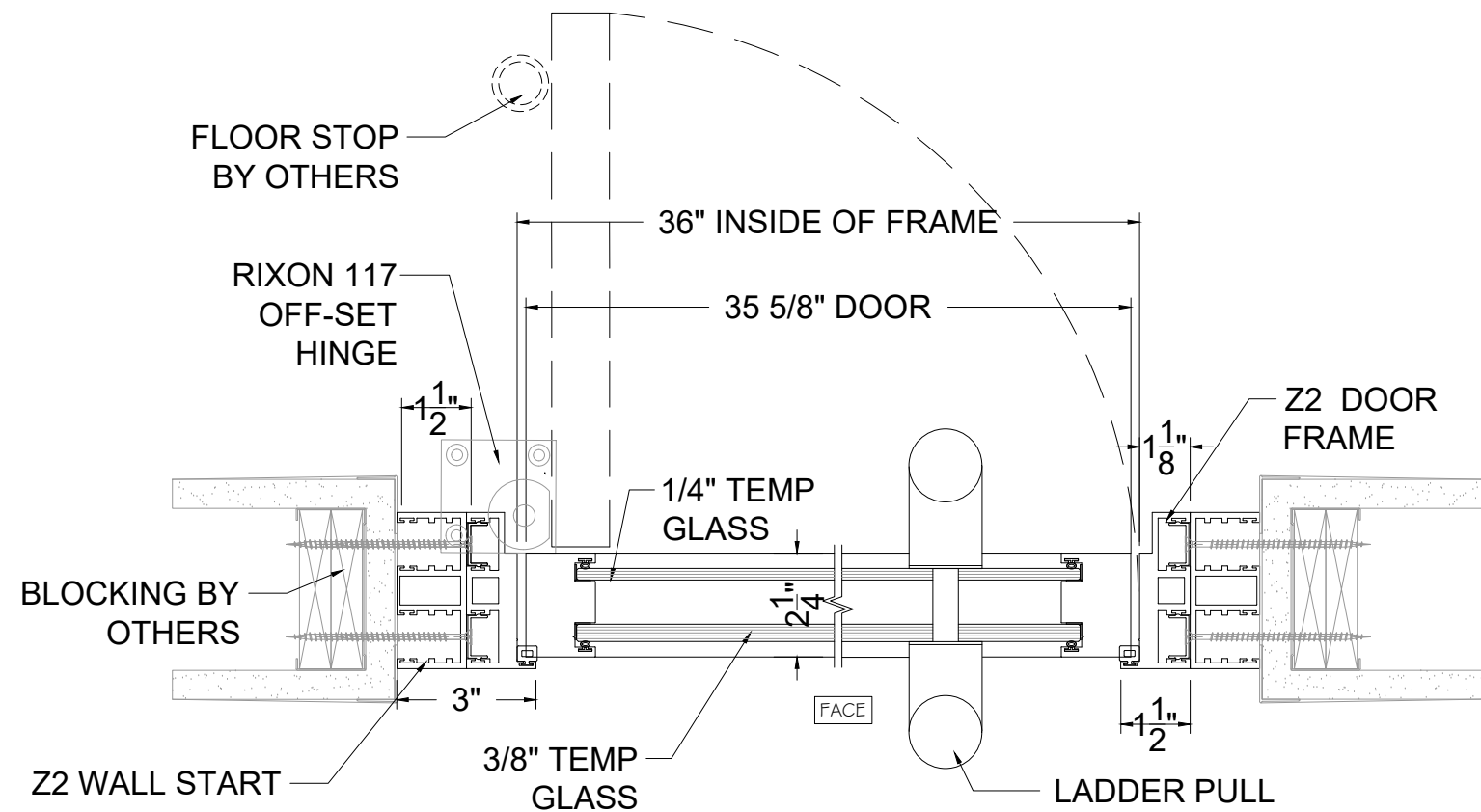


Z2 DOOR - RIXSON HINGE, MAG LOCK, CONCEALED CLOSER
3"=1'-0" VERTICAL SECTION

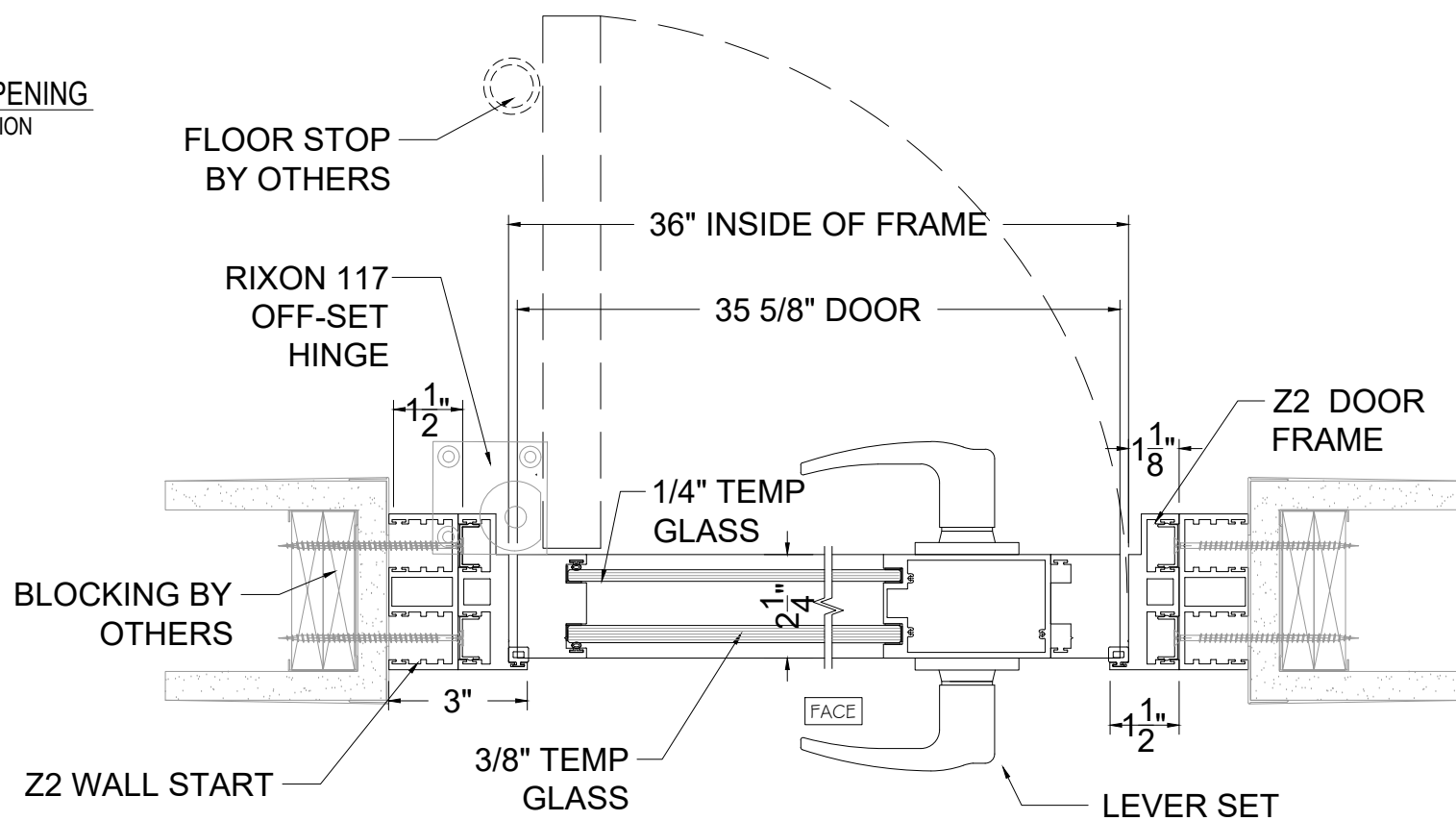
REV	DATE	DESCRIPTION
0	03/13/26	
1	00/00/00	
2	00/00/00	
3	00/00/00	
4	00/00/00	

Z2 DETAILS

DRAWING NAME DETAILS	
DATE DATE	DRAWING # D-6
SCALE 3"=1'-0"	
DRAWN BY KAP	SHEET 6 OF 9



Z2 LH DOOR W / LEVER SET - FINISHED OPENING
3"=1'-0" HORIZ SECTION



Z2 LH DOOR W / LEVER SET - FINISHED OPENING
3"=1'-0" HORIZ SECTION

REV	DATE	DESCRIPTION
0	03/13/26	
1	00/00/00	
2	00/00/00	
3	00/00/00	
4	00/00/00	

Z2 DETAILS

DRAWING NAME
DETAILS

DATE
DATE

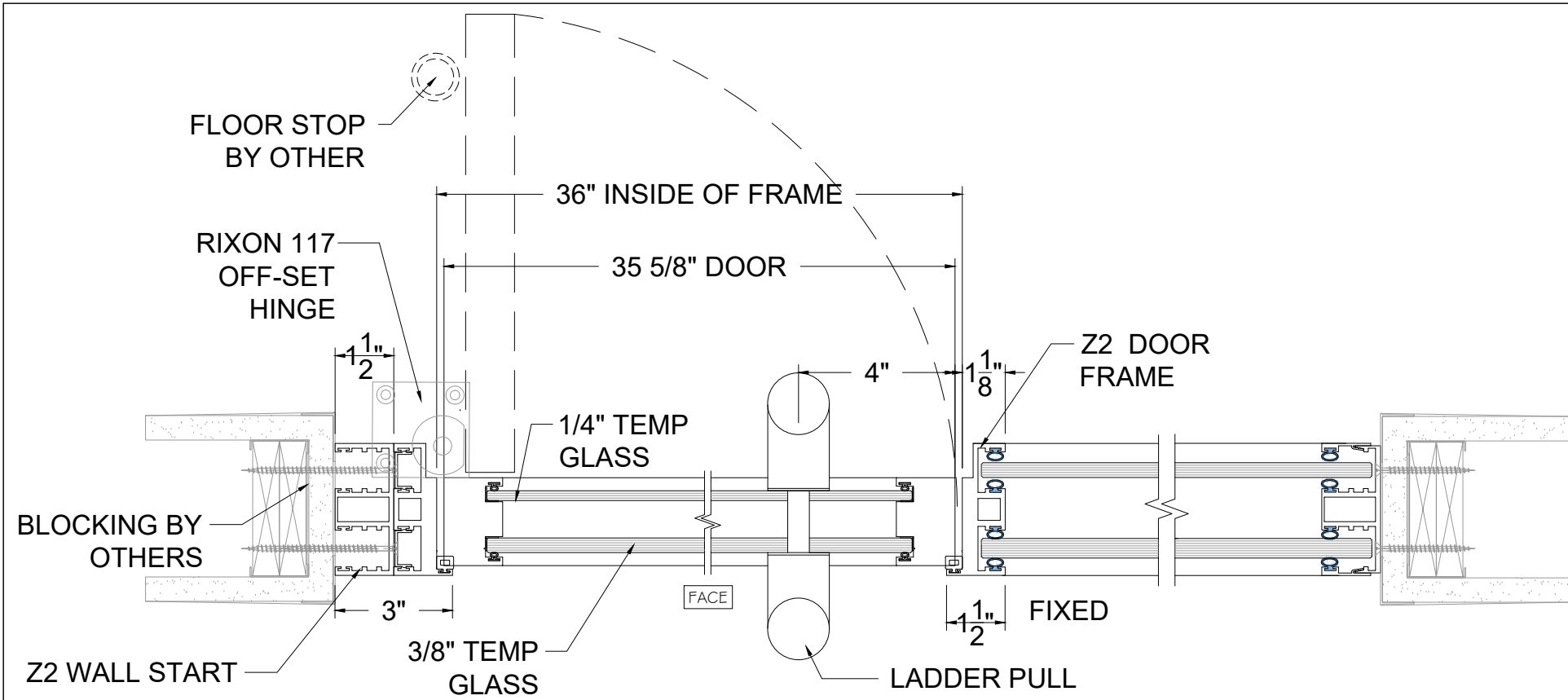
SCALE
3"=1'-0"

DRAWN BY
KAP

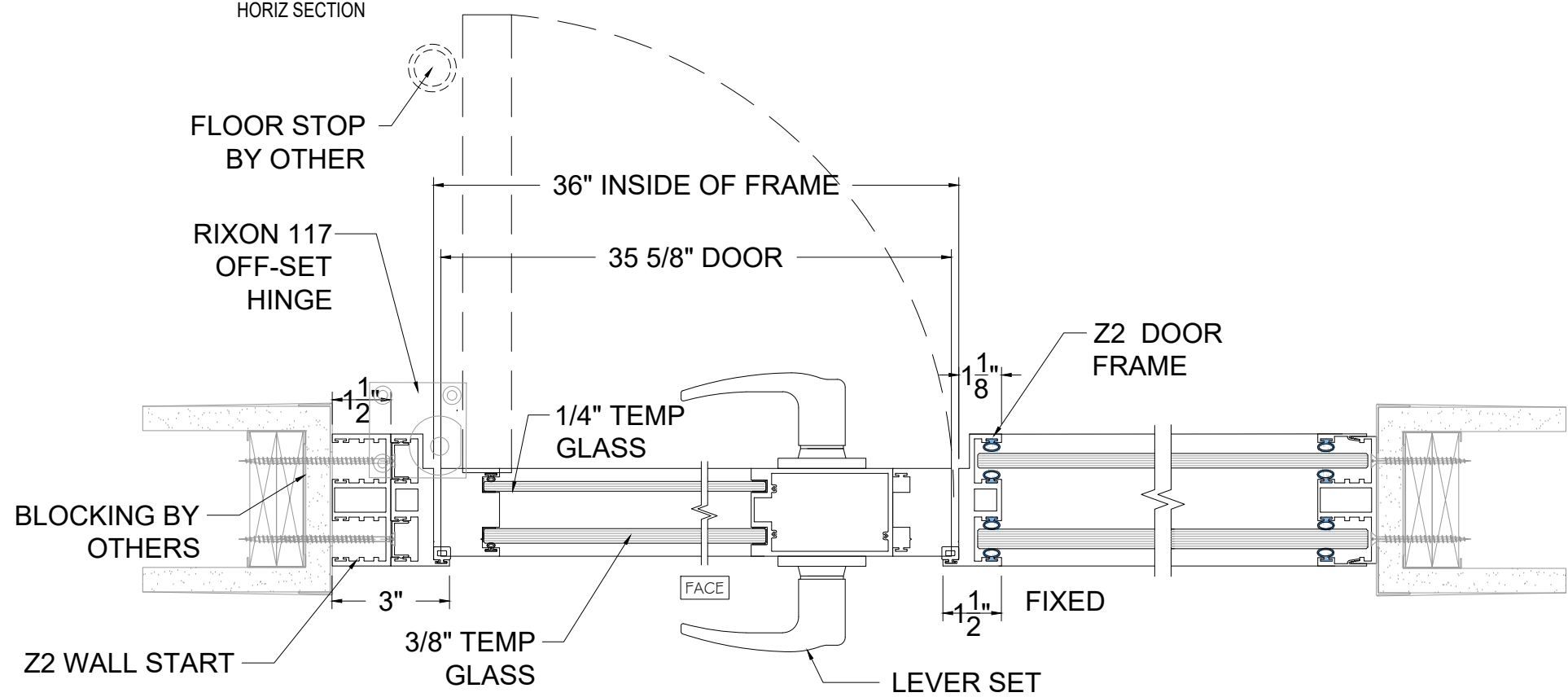
DRAWING #

D-7

SHEET 7 OF 9



Z2 LH DOOR W / LADDER PULL - FIXED PANEL
3"=1'-0" HORIZ SECTION



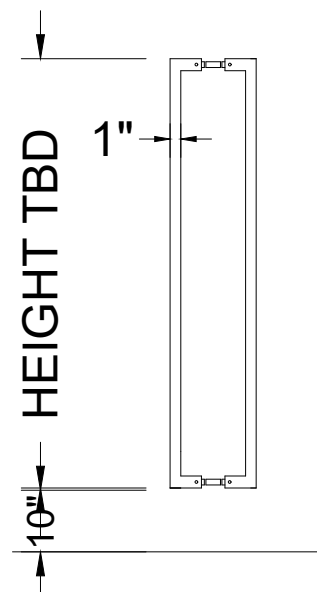
Z2 LH DOOR W / LEVER SET - FIXED PANEL
3"=1'-0" HORIZ SECTION

REV	DATE	DESCRIPTION
0	03/13/26	
1	00/00/00	
2	00/00/00	
3	00/00/00	
4	00/00/00	

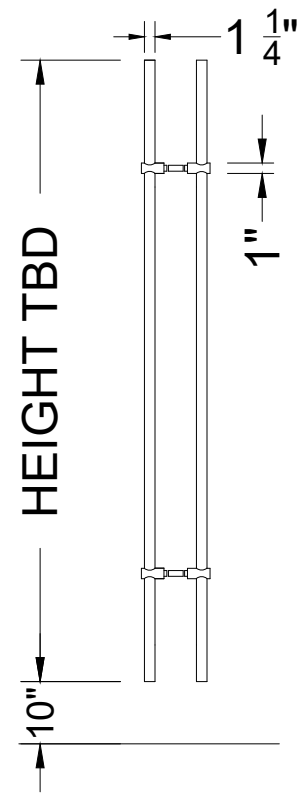
Z2 DETAILS

DRAWING NAME
DETAILS

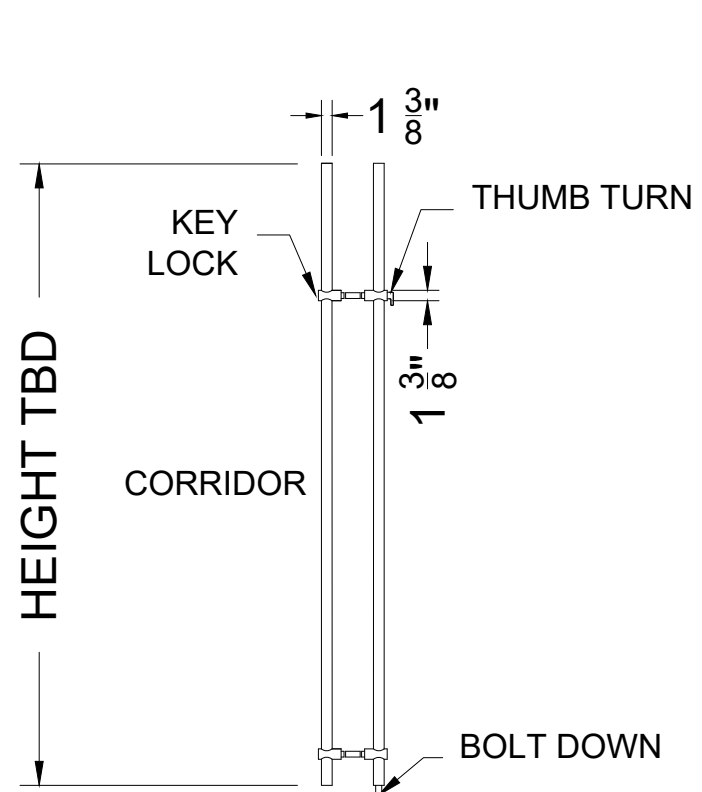
DATE	DRAWING #
DATE	D-8
SCALE	
3"=1'-0"	
DRAWN BY	
KAP	SHEET 8 OF 9



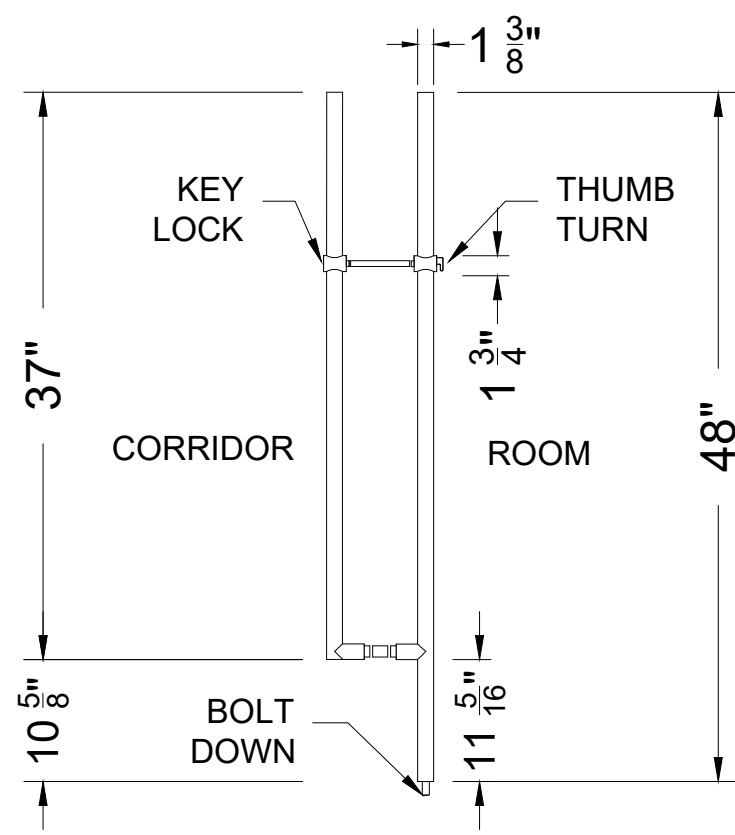
GENERIC SQUARE NON LOCKING LADDER PULL DETAIL
N.T.S.



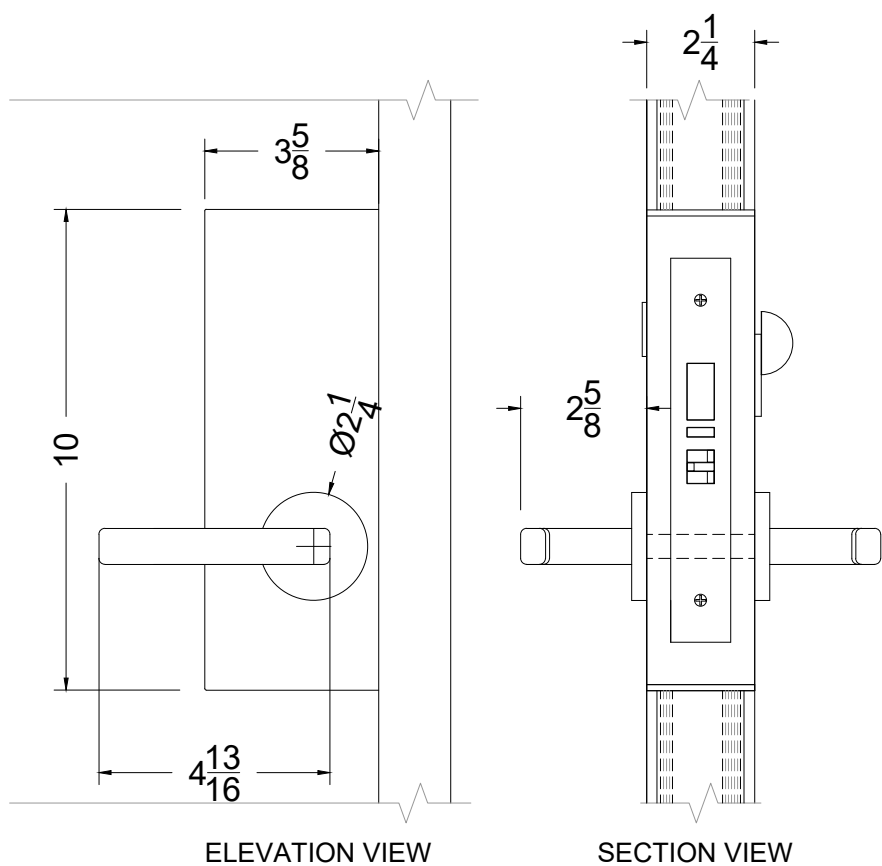
Z2 NON LOCKING LADDER PULL DETAIL
N.T.S.



STANDARD LOCKING LADDER PULL
NOT ADA COMPLIANT CORES & KEYS NOT PROVIDED



ZONA ADA LOCKING LADDER PULL
CORE & KEY BY OTHERS



Z2 LOCK BOX FOR LEVER SET
3"=1'-0" CL OF CYLINDER 38" AFF

REV	DATE	DESCRIPTION
0	03/13/26	..
1	00/00/00	..
2	00/00/00	..
3	00/00/00	..
4	00/00/00	..

Z2 DETAILS

DRAWING NAME
DETAILS

DATE DATE	DRAWING # D-9
SCALE 3"=1'-0"	
DRAWN BY KAP	SHEET 9 OF 9